

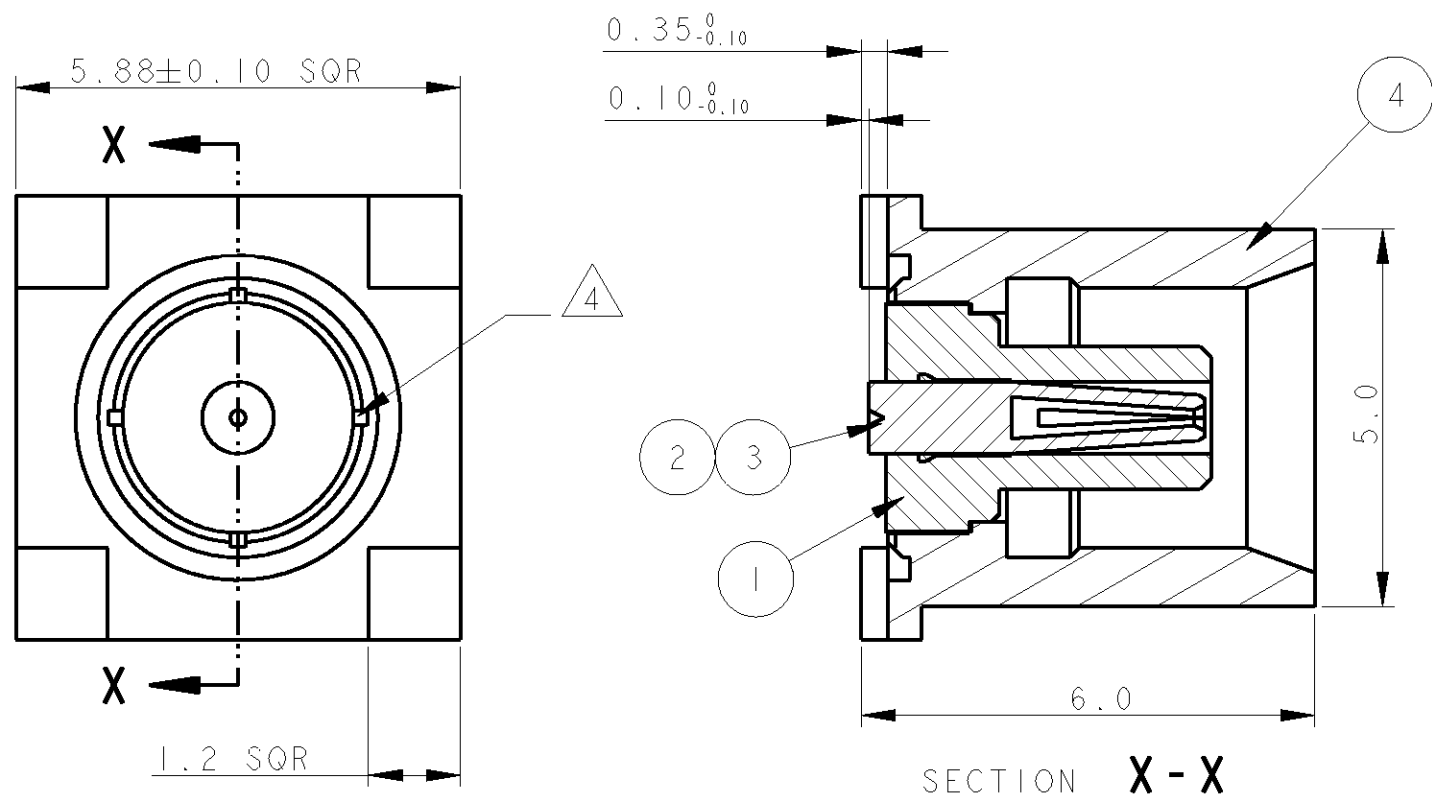
THIS DRAWING IS UNPUBLISHED. RELEASED FOR PUBLICATION 2004
 © COPYRIGHT 2004 BY TYCO ELECTRONICS CORPORATION. ALL RIGHTS RESERVED.

LOC	DIST	REVISIONS					
E	B	P	LTR	DESCRIPTION	DATE	DWN	APVD
			A	FIRST ISSUE	07SEP2000	RG	FWK
			B	EBD0-0304-01	30SEP2001	RG	FWK
			C	EBD0-0423-04	10NOV2004	JMS	FWK

- NOTES:
- 1 PACK IN ACCORDANCE WITH AMP SPEC 107-3275
 - 2 TAPE AND REEL PACKAGING OPTION AS PER NOTES 12 AND 15
 - 3 0.1-0.2µm Au OVER NOM. 4.0µm Ni PLATING
 - 4 FOUR POINT INDENT STAGGERED 90° ON RADIUS
 - 5 0.8µm Au OVER 2.0-4.0µm Ni PLATING
 - 6. DIELECTRIC MUST WITHSTAND A 10N AXIAL RETENTION FORCE AFTER INDENT
 - 7. COAX CONNECTOR CONFORMS WITH SPEC CECC 22220



SCALE 5:1



1	1	-	-	REEL 13" Δ 14	7
1	1	-	-	COVER BELT FOR BLISTER BELT	6
1	1	-	-	BLISTER BELT	5
1	1	1	1	BODY Δ 3	4
1	-	1	-	FEMALE CONTACT Δ 5	3
-	1	-	1	FEMALE CONTACT Δ 3	2
1	1	1	1	DIELECTRIC	1
6--1	6--0	1--1	1--0	DESCRIPTION	ITEM No
Δ 2	Δ 2	Δ 1	Δ 1		

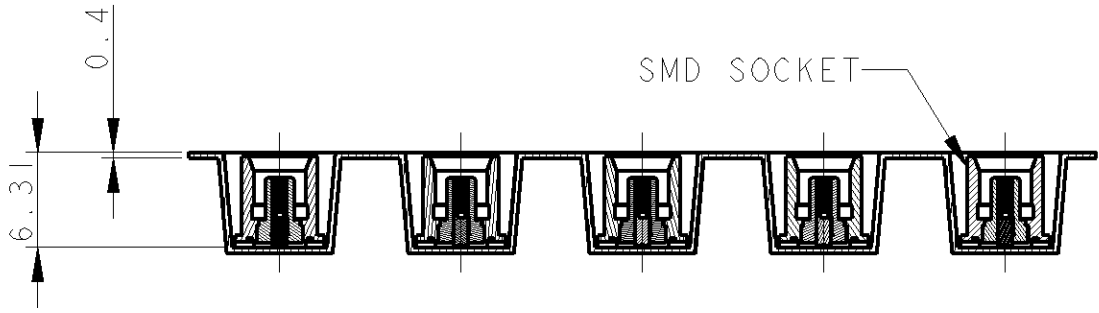
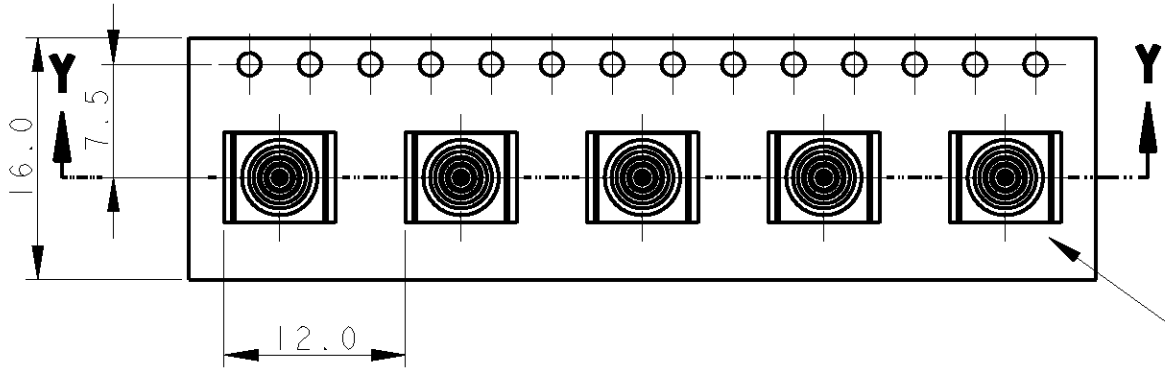
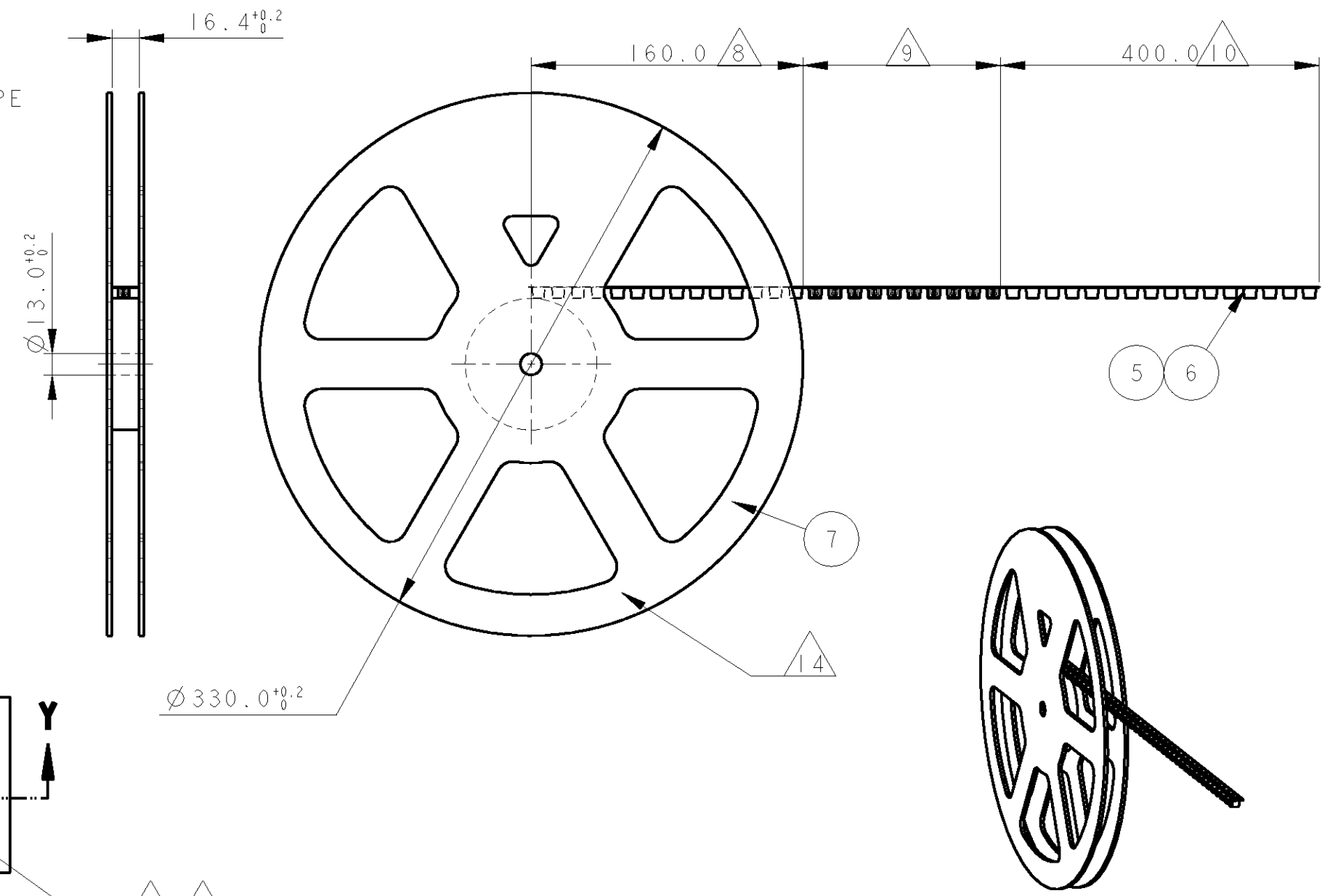
<small>THIS DRAWING IS A CONTROLLED DOCUMENT FOR TYCO ELECTRONICS CORPORATION IT IS SUBJECT TO CHANGE AND THE CONTROLLING ENGINEERING ORGANIZATION SHOULD BE CONTACTED FOR THE LATEST REVISION.</small>		DWN J. SANDWELL 10NOV2004 CHR S. PARLOW 10NOV2004 APVD F. WHEELER-KING 10NOV2004	tyco Electronics Tycoelectronics UK Ltd, Barton Tors, Bideford, Devon, EX39 4HE
DIMENSIONS: mm 	TOLERANCES UNLESS OTHERWISE SPECIFIED: 0 PLC ±- 1 PLC ±0.5 2 PLC ±0.13 3 PLC ±0.013 4 PLC ±0.0001 ANGLES ±-	PRODUCT SPEC 108-3640 APPLICATION SPEC - WEIGHT -	NAME MCX SMD PCB SOCKET SIZE CAGE CODE DRAWING NO RESTRICTED TO A3 00779 C-1337582 -
MATERIAL -	FINISH -	CUSTOMER DRAWING SCALE 10:1 SHEET 1 OF 2 REV C	

THIS DRAWING IS UNPUBLISHED. RELEASED FOR PUBLICATION 20
 © COPYRIGHT 20 BY TYCO ELECTRONICS CORPORATION. ALL RIGHTS RESERVED.

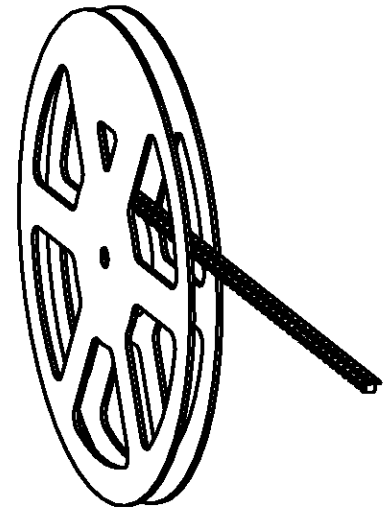
LOC	DIST	REVISIONS			
P	LTR	DESCRIPTION	DATE	DWN	APVD
E	B	-	SEE SHEET 1	-	-

NOTES (CONT):

- 8 LAST RUNNING ACCORDING TO IEC 60286-3
- 9 BLISTER BELT FILLED WITH PARTS
- 10 400mm EMPTY BLISTER BELT, SEALED WITH COVER TAPE
- 11 BLISTER BELT ACCORDING TO IEC 60286-3
- 12. UNIT PER REEL: 800 PIECES
- 13 VOLUME-CONDUCTIVE MATERIAL
- 14 MADE FROM POLYSTYRENE
- 15. SMD-STRIP-PACKAGING ACCORDING TO IEC 60286-2



SECTION Y-Y



SCALE 1:5

<small>THIS DRAWING IS A CONTROLLED DOCUMENT FOR TYCO ELECTRONICS CORPORATION IT IS SUBJECT TO CHANGE AND THE CONTROLLING ENGINEERING ORGANIZATION SHOULD BE CONTACTED FOR THE LATEST REVISION.</small>		DWN J. SANDWELL 10NOV2004 CHR S. PARLOW 10NOV2004 APVD F. WHEELER-KING 10NOV2004		tyco Electronics		Tycoelectronics UK Ltd, Barton Tors, Bideford, Devon, EX39 4HE	
DIMENSIONS: mm		TOLERANCES UNLESS OTHERWISE SPECIFIED: 0 PLC ±- 1 PLC ±0.5 2 PLC ±0.13 3 PLC ±0.013 4 PLC ±0.0001 ANGLES ±-		PRODUCT SPEC -		NAME MCX SMD PCB SOCKET	
MATERIAL -		FINISH -		APPLICATION SPEC -		SIZE CAGE CODE DRAWING NO RESTRICTED TO A3 00779 C-1337582C -	
CUSTOMER DRAWING				SCALE 10:1		SHEET 2 OF 2 REV C	