

丸形

Round Type

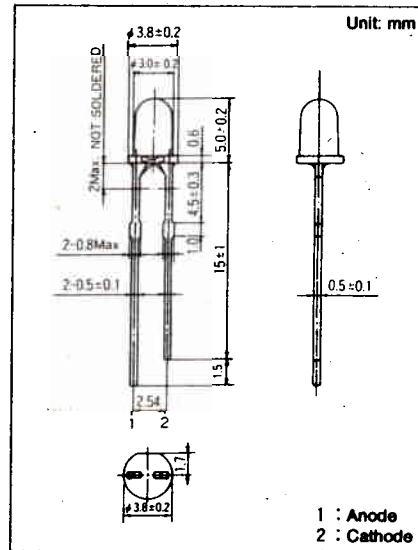
φ 3.0mm Series

Type No.	Lighting Color
LN28RP	Red
LN28RCP	Red
LN28WP	Red
LN28CP	Red

絶対最大定格 Absolute Maximum Ratings (Ta=25 °C)

Lighting Color	P _D (mW)	I _F (mA)	I _{FP} (mA)*	V _R (V)	T _{OPR} (°C)	T _{STG} (°C)
Red	70	25	150	4	-25~+85	-30~+100

* I_{FP}の条件は、duty 10%、Pulse width 1 msec. The condition of I_{FP} is duty 10%, Pulse width 1 msec



電気的光学的特性 Electro-Optical Characteristics (Ta=25 °C)

Type No.	Lighting Color	Lens Color	I _O			V _F		λ _P	Δλ	I _F	I _n	
			Typ.	Min.	I _F	Typ.	Max.				Max.	V _R
LN28RP	Red	Red Diffused	0.8	0.3	15	2.2	2.8	700	100	20	5	4
LN28RCP	Red	Red Clear	1.5	0.6	15	2.2	2.8	700	100	20	5	4
LN28WP	Red	White Diffused	1.0	0.3	15	2.2	2.8	700	100	20	5	4
LN28CP	Red	Clear	2.0	0.8	15	2.2	2.8	700	100	20	5	4
Unit	—	—	mcd	mcd	mA	V	V	nm	nm	mA	μA	V

