

MOLEX P/N : 0989821016

DESCRIPTION : MOX Rcpt Module 0.635 Blu 20ckt

COLOR : BLUE

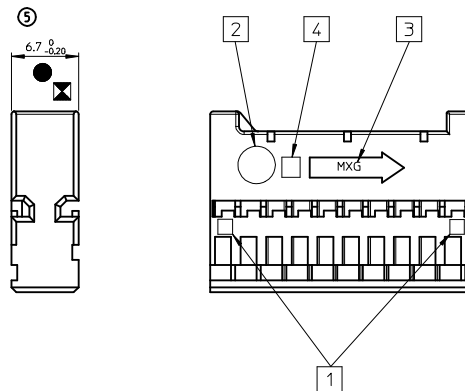
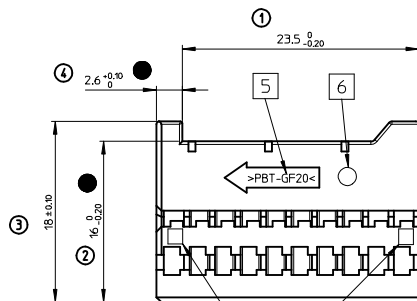
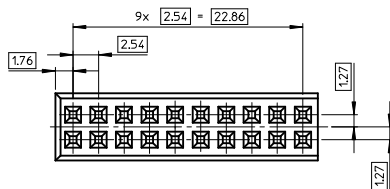
MOLEX P/N : 0989821010

DESCRIPTION : MOX Rcpt Module 0.635 wht 20ckt

COLOR : WHITE

MATERIAL : >PBT-GF20<

WEIGHT : 1.622 g



- FOR ILLUSTRATION PURPOSE, THE MOX RCPT MODULE SHOWN IS THE BLUE CODING P/N 0989821016. SEE CODING CHART FOR OTHER COLOR VERSION.

- PRODUCT QUALIFIED ACCORDING TO PSA STANDARD: 9629764699A.

- APPLICATION SPECIFICATION: RAS-98982-001

- INTERFACE DRAWING IS THE PROPERTY FROM PSA: 9633297199.

- USE WITH MOX TERMINAL FOLLOWING SD-98658-004.

- THESE MODULES FIT INTO MOX MOUNTING HOUSING RECEPTACLE 40CKT P/N :

- 0989821020
- 0989821021
- 0989821026
- 0989821028



1:1

MARKING :

- 1 - CAVITY NUMBER
- 2 - DATUM MONTH/YEAR
- 3 - MOLEX MARK
- 4 - IMPRESSION MARK
- 5 - RAW MATERIAL
- 6 - REVISION LEVEL

INDICATION DIMENSIONS S.P.C DENOTES S.P.C DIMENSIONS
 INDICATION DIMENSIONS CRITIQUES DENOTES CRITICAL DIMENSIONS
 INDICATION DIMENSIONS FONCTIONNELLES DENOTES FUNCTIONAL DIMENSIONS
 QUANTITE PAR FEUILLE INDIVIDUELLE
 QUANTITY PER INDIVIDUAL SHEET
 1 0 3

| | | | | | | |
|--|--|--|--|-----------|--------------|---|
| FIRST RELEASE EC NO: GZ008-0096 DRAWN: POUCHAUD 2007/10/15 CHKD: YIGEL 2007/10/15 APPR: LSTICKEIR 2007/10/15 | QUALITY SYMBOLS | GENERAL TOLERANCES (UNLESS SPECIFIED) | DIMENSION STYLE | SCALE | DESIGN UNITS | THIRD ANGLE PROJECTION |
| | $\nabla=0$ $\nabla=0$ | mm INCH 4 PLACES ± --- ± --- 3 PLACES ± --- ± --- 2 PLACES ± 0.05 ± --- 1 PLACE ± 0.10 ± --- ANGULAR ± 2 ° | MM ONLY DRAWN BY DATE POUCHAUD 2007/09/07 CHECKED BY DATE YIGEL 2007/09/07 APPROVED BY DATE LSTICKEIR 2007/09/10 | 4:1 | METRIC | MOX RCPT MODULE 20CKT MOLEX INCORPORATED |
| | DRAFT WHERE APPLICABLE MUST REMAIN WITHIN DIMENSIONS | SEE CHART THIS DRAWING CONTAINS INFORMATION THAT IS PROPRIETARY TO MOLEX INCORPORATED AND SHOULD NOT BE USED WITHOUT WRITTEN PERMISSION | MATERIAL NO. DOCUMENT NO. SD-98982-001 | SHEET NO. | 1 OF 1 | |
| | | | | | | |