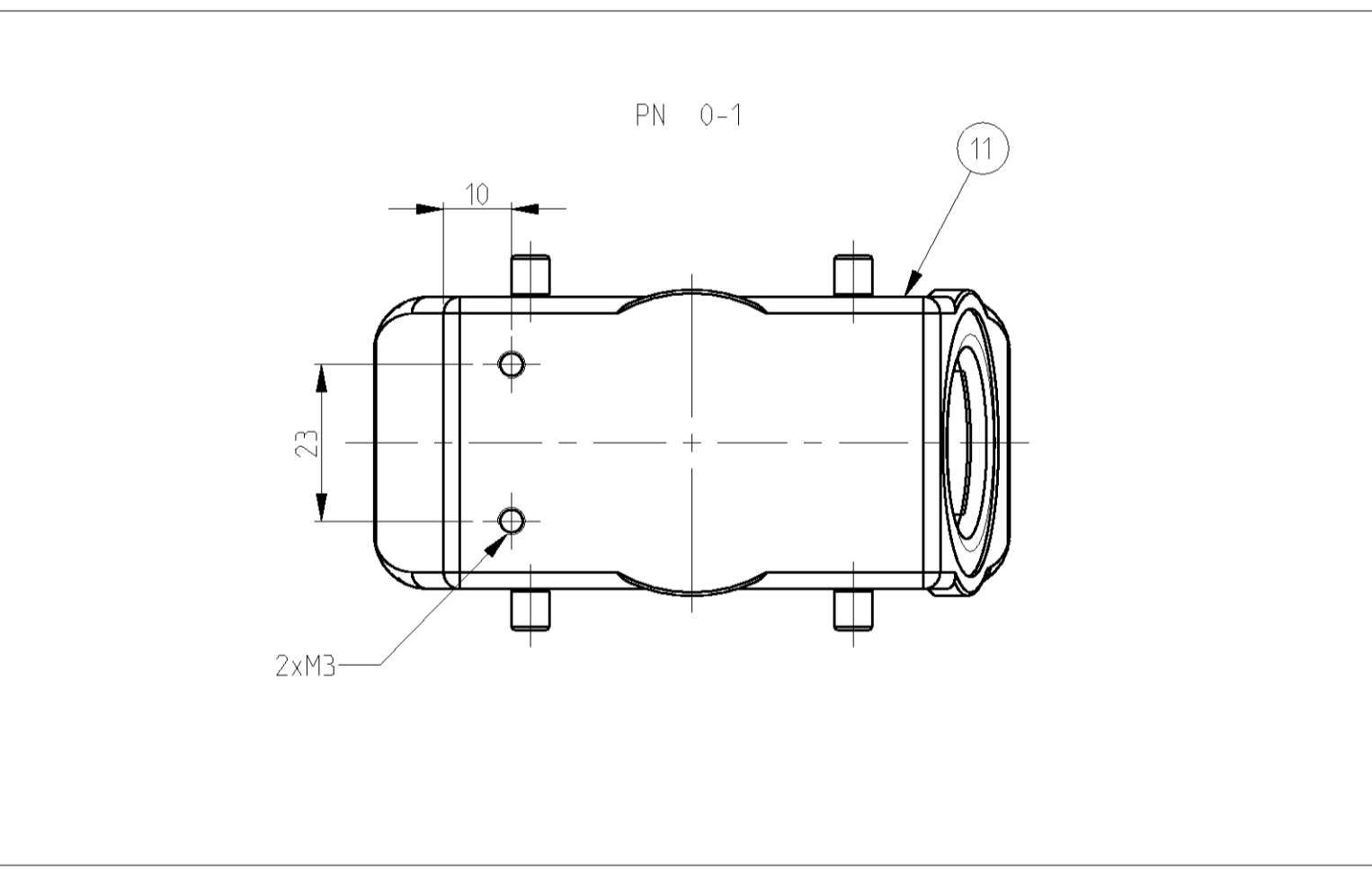
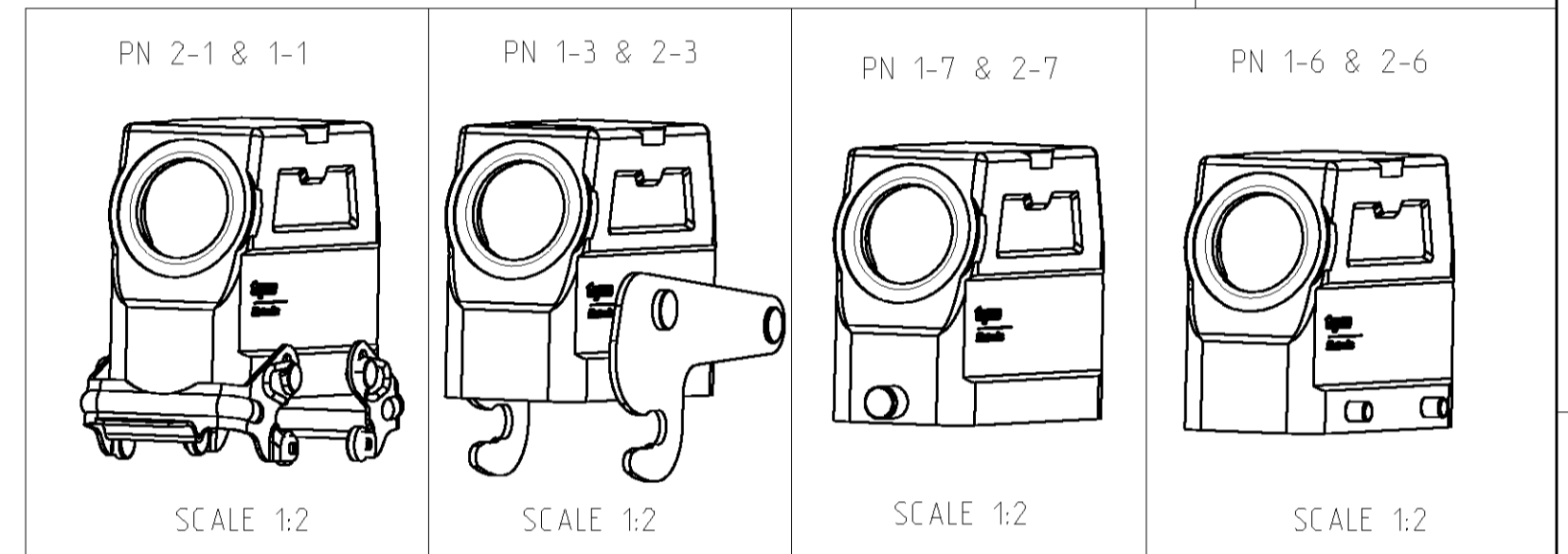
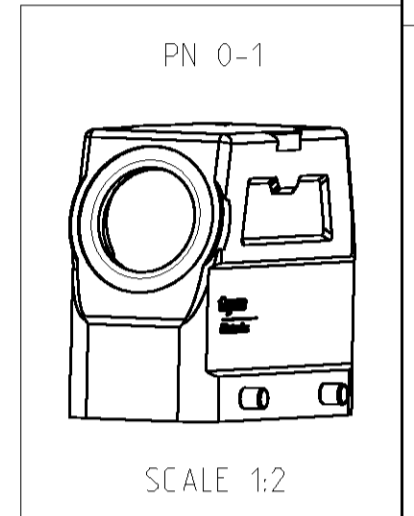
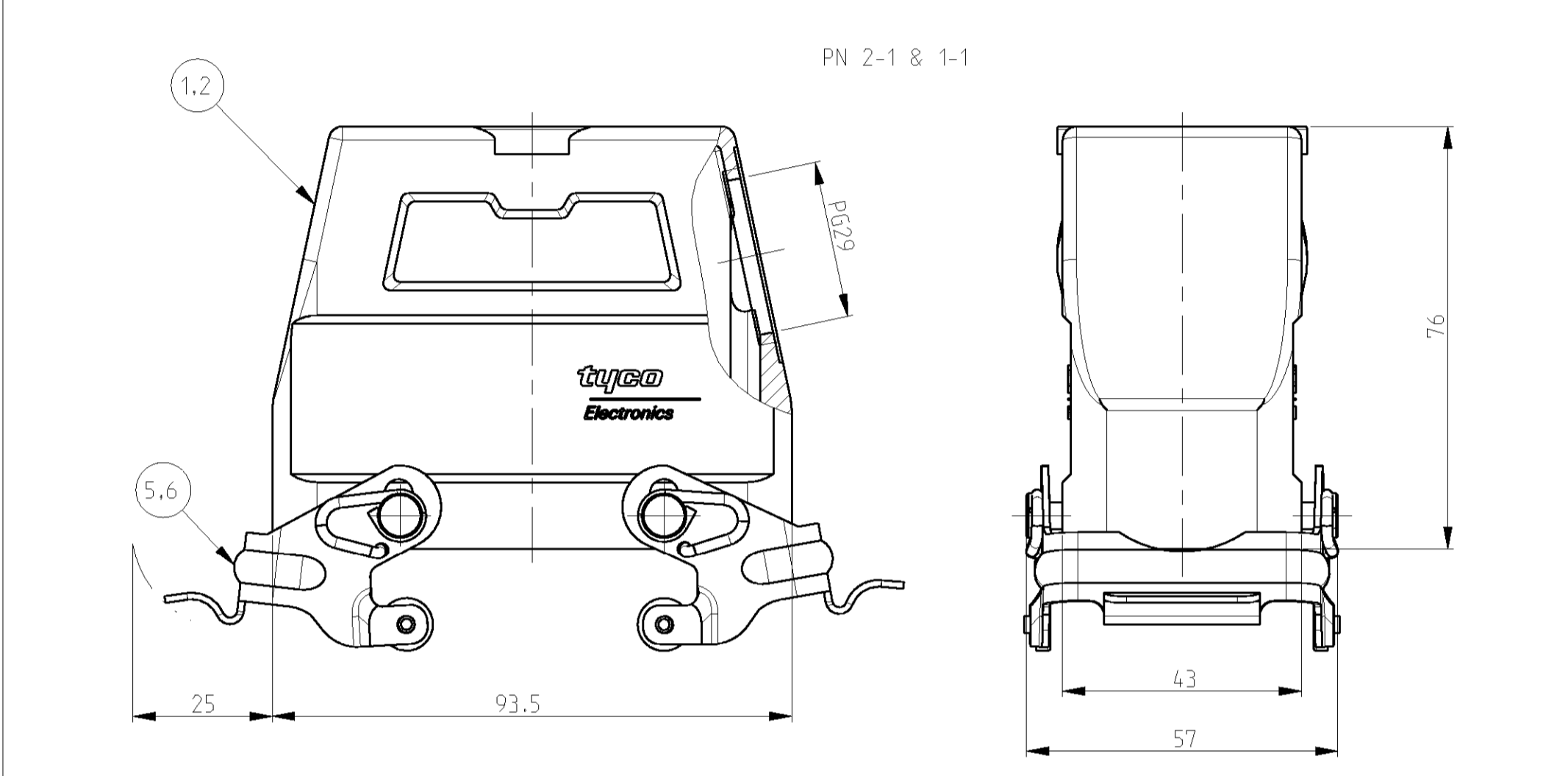
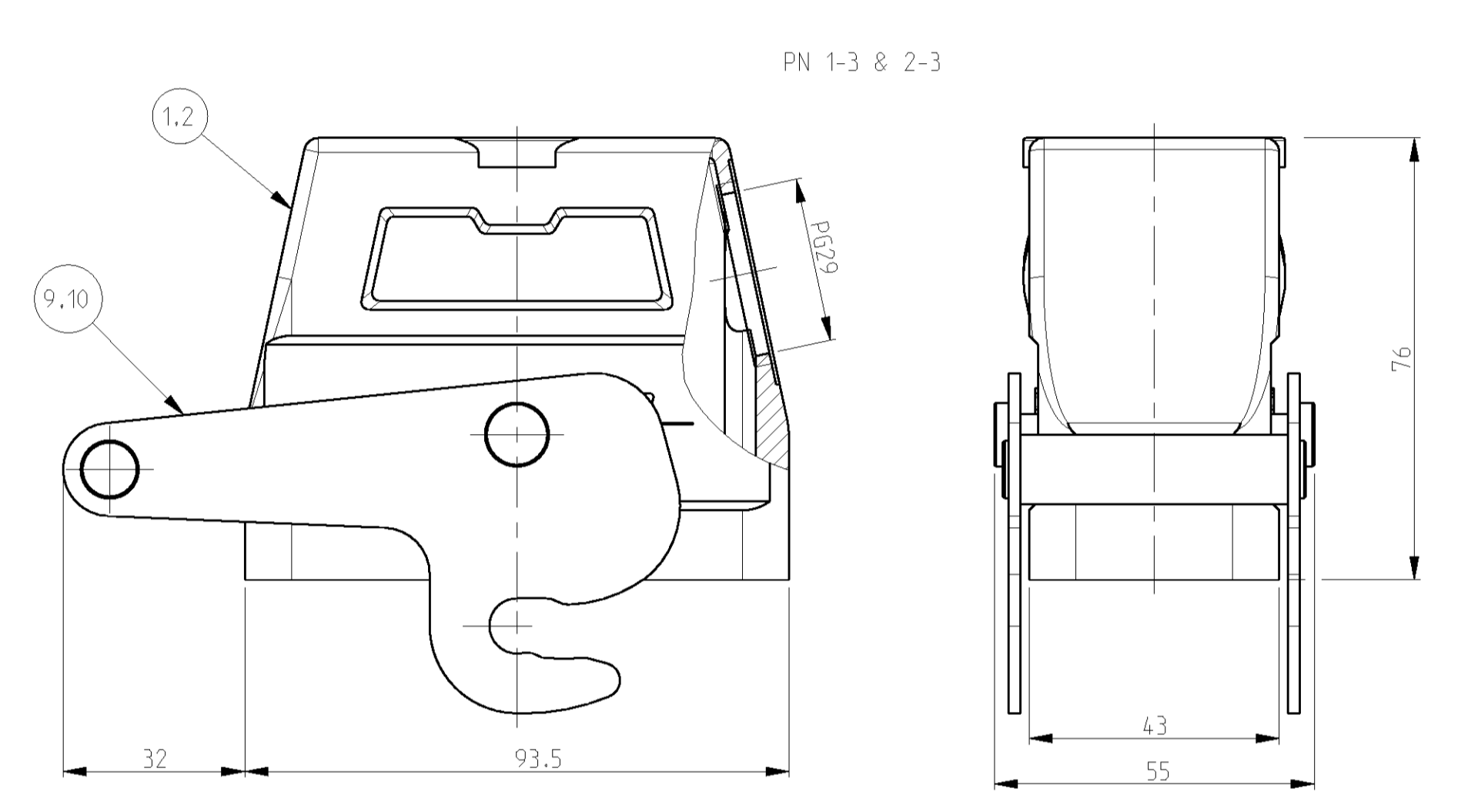
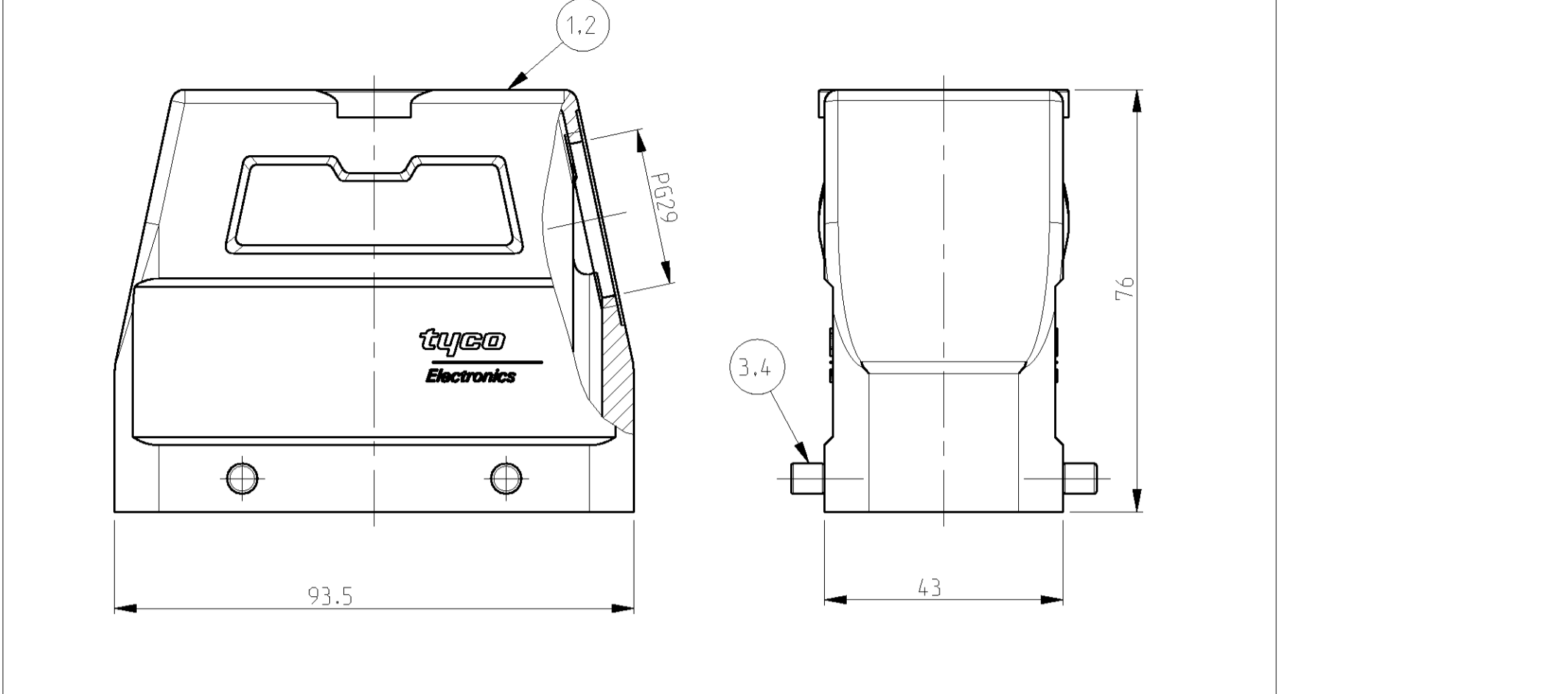
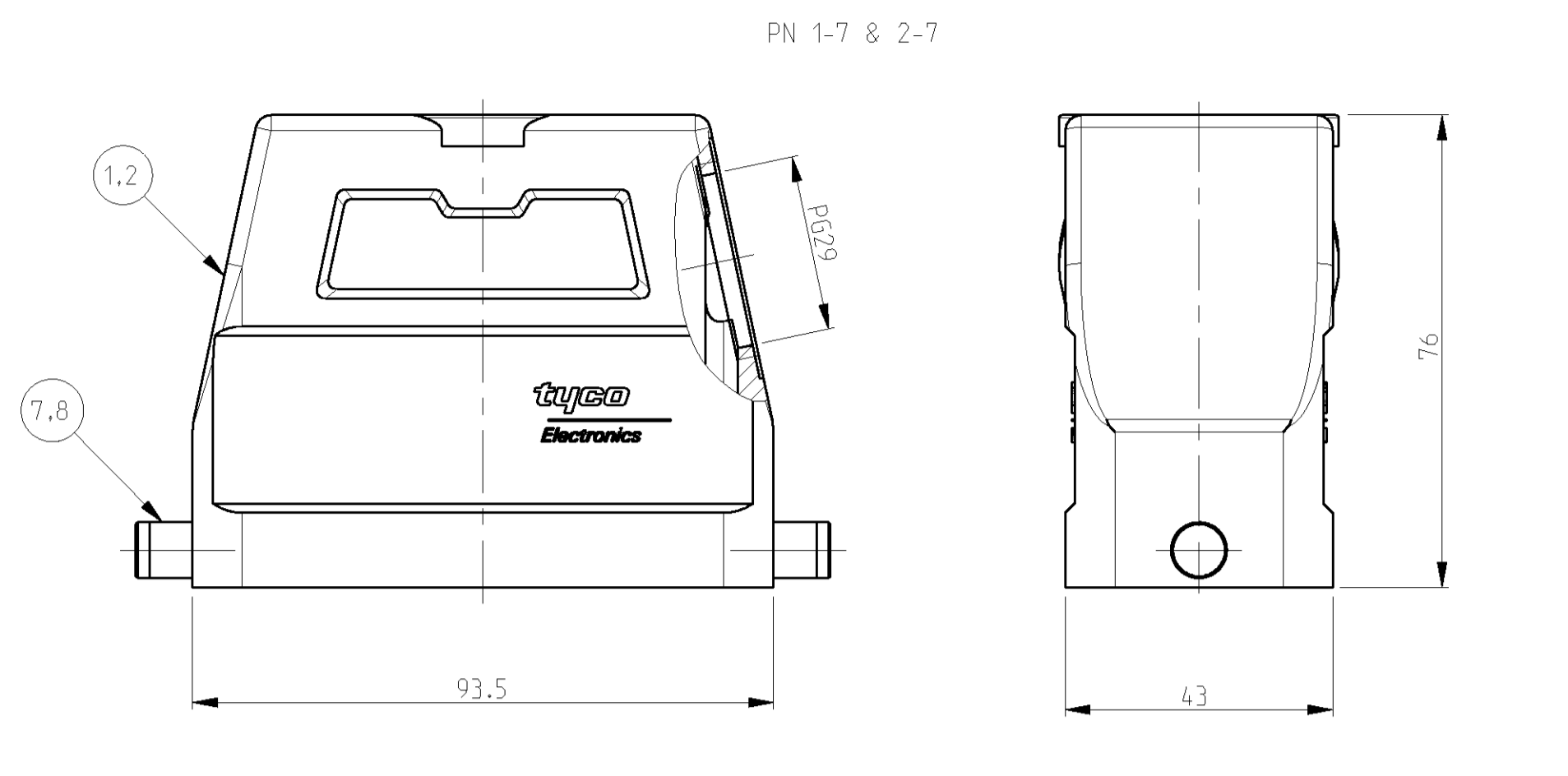


LOC		DIST		REVISIONS			
P	LTR	DESCRIPTION	DATE	DRW	APVD		
A5		Released as per ECR-07-012890	09-07-2007	SK	TS		



QTY	ITEM NO	DESCRIPTION	MATERIAL	SURFACE	COLOR	ITEM NO	NOTES
1	1	HD/hood	Aluminium	-	Grey	11	For identification plate
	1	ZB-Central clip	Stainless Steel	Even	-	10	-
	2	ZB-Central clip	Steel	Zinc plated	Blue	9	-
		LB-Clip bolt	Stainless Steel	Even	-	8	-
	2	LB-Clip bolt	Steel	Zinc plated	Blue	7	-
		VS-Locking clip	Stainless Steel	Even	-	6	-
	2	VS-Locking clip	Steel	Zinc plated	Blue	5	-
		VS-Clip bolt	Stainless Steel	Even	-	4	-
4	4	VS-Clip bolt	Steel	Zinc plated	Blue	3	-
1	1	HD-K Hood	Aluminium	Aluminium oxide	Black	2	-
1	1	HD Hood	Aluminium	-	Grey	1	-

QTY	ITEM NO	DESCRIPTION	MATERIAL	SURFACE	COLOR	ITEM NO	NOTES
ORDERING TEXT							
		HD.40.STS.1.29.G					
		HD-K.40.STS.1.29.G					
		HD.40.STS-VS.1.29.G					
		HD-K.40.STS-VS.1.29.G					
		HD.40.STS-GR.1.29.G					
		HD-K.40.STS-GR.1.29.G					
		HD-Z.40.STS-ZB.1.29.G					
		HD-K/Z.40.STS-ZB.1.29.G					
		HD.40.STS.1.29.G					

DIMENSIONS:		TOLERANCES UNLESS OTHERWISE SPECIFIED:		DWG		11.11.1997		Tyco Electronics		Tyco Electronics, AMP GmbH	
mm		0.25 mm/0.010 in		ENR		26.06.98		AMP		D-53819, Neunkirchen, Germany	
MATERIAL		FINISH		APVD		NAME		PRODUCT SPEC		RESTRICTED TO	
				Kramer		HOOD					
						HD.40.STS.1.29.G					
						APPLICATION SPEC					
						SIZE		CAGE CODE		DRAWING NO	
						A		00779		C=1102567	
						WEIGHT					
						CUSTOMER DRAWING		SCALE		SHEET 1 OF 1	
								1:1		REV A5	