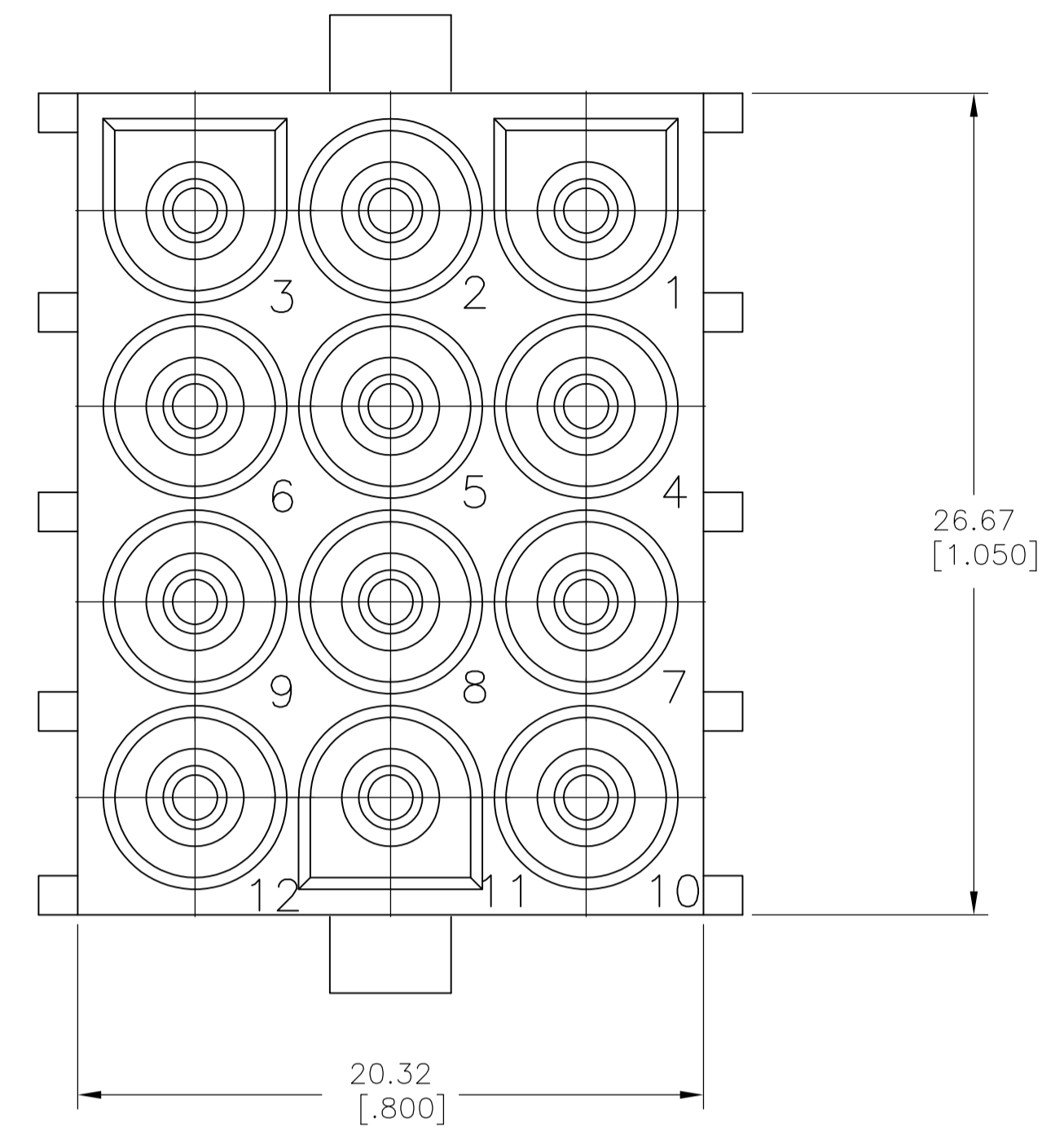
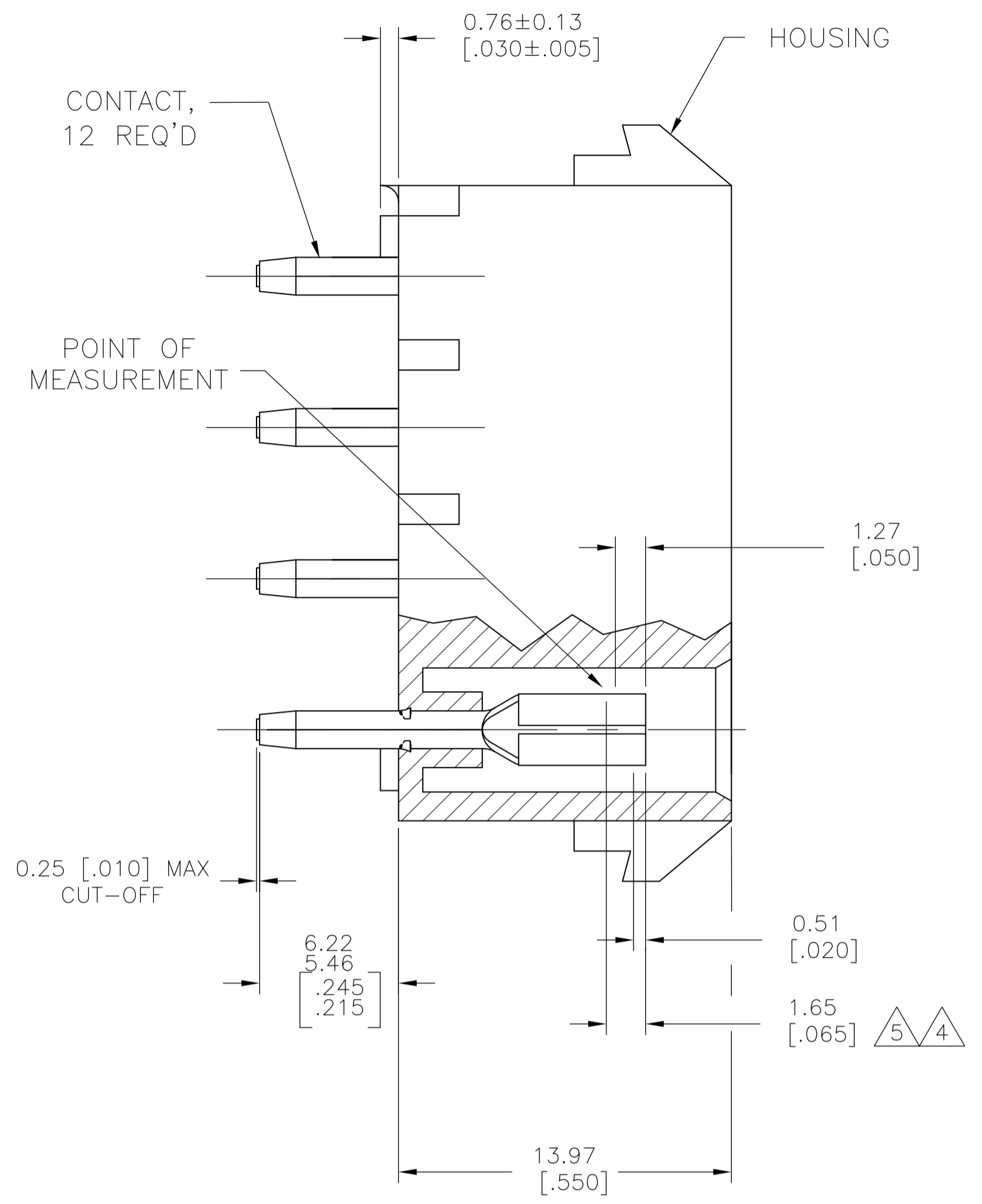
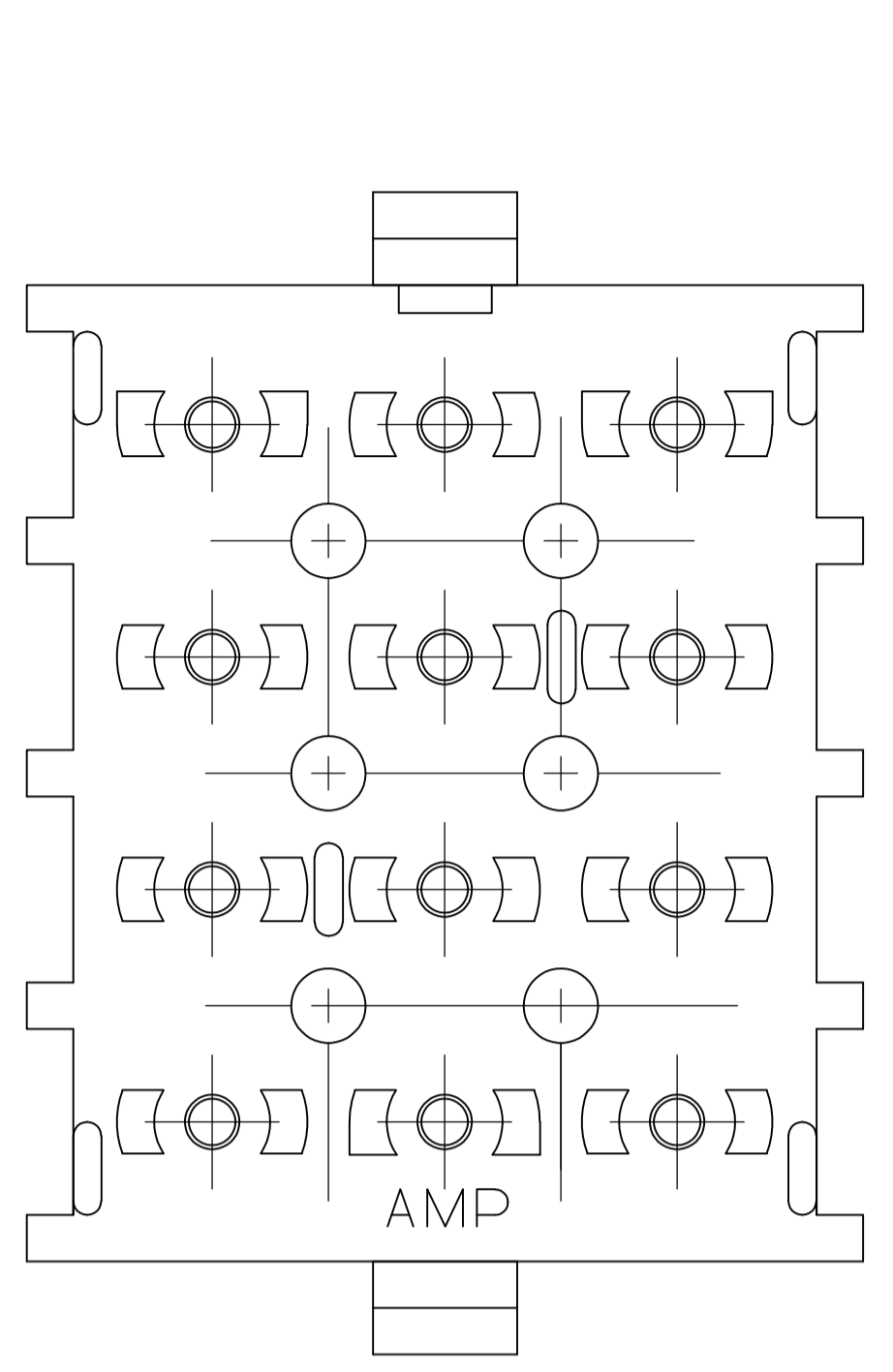
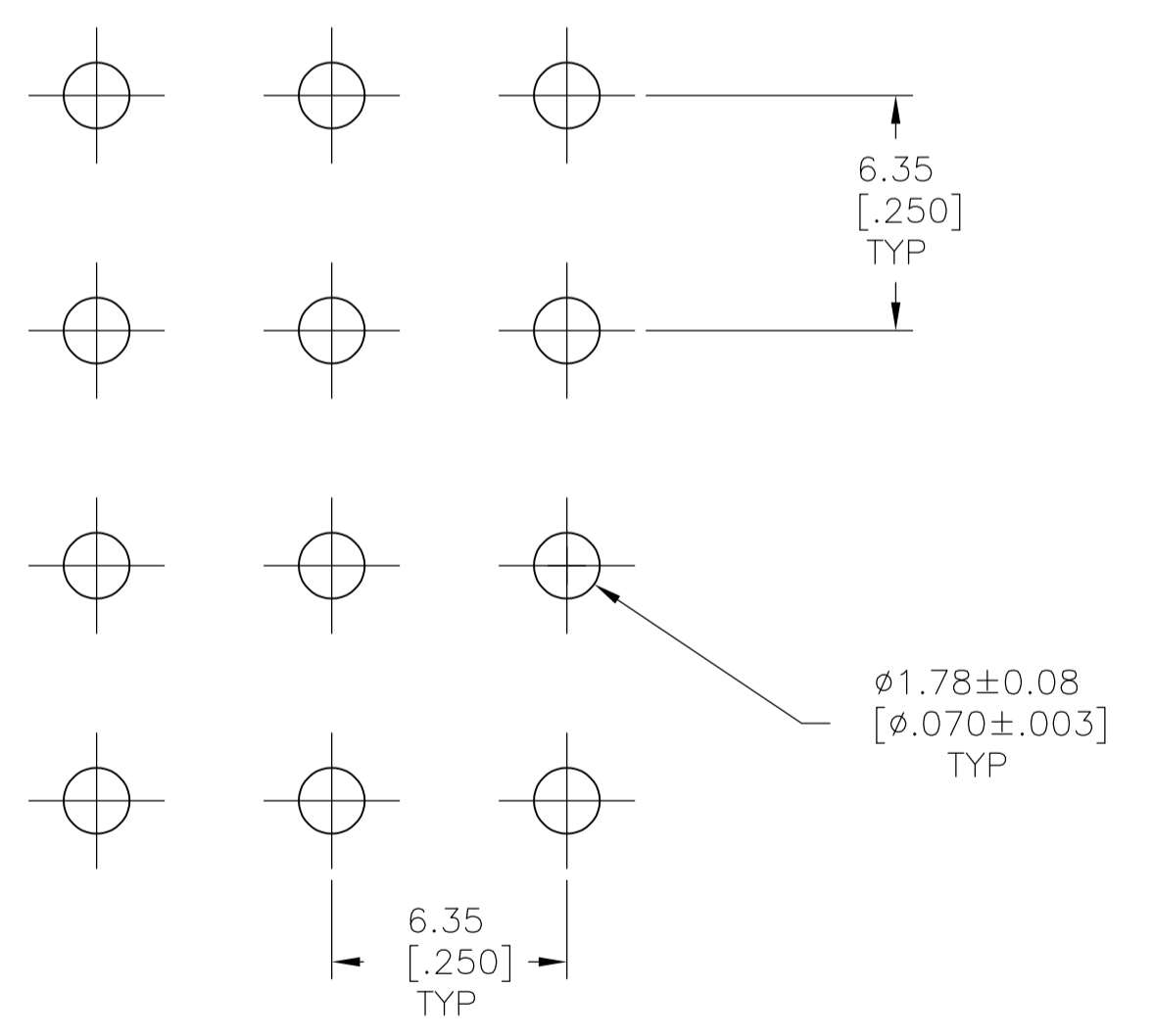


LOC		DIST		REVISIONS			
CM	00	REV	PER	DESCRIPTION	DATE	DMN	APVD
		G1	REVISED PER	ECO-08-019746	13AUG08	HMR	DC
		G2	REV PER	ECO-09-021826	08SEP09	KK	AEG



- 1 MATES WITH AMP CONNECTOR PART NO. 480708.
- 2 FLAME RETARDANT CLASSIFICATION OF MATERIAL IS 94V-2.
- 3 PARTS MUST COMPLY WITH AMP SOLDERABILITY SPEC 109-11-3.
- 4 CONTACT IS STAMPED FROM PRE-PLATED STOCK WHICH IS PLATED OVERALL WITH 0.00127 [.000050] NICKEL, THEN STRIPED WITH 0.00076 [.000030] GOLD IN CONTACT AREA INDICATED AND TIN-LEAD ON SOLDER TAIL END.
- 5 CONTACT IS PLATED OVERALL WITH 0.00127 [.000050] NICKEL, THEN 0.00076 [.000030] GOLD OVER CONTACT LENGTH INDICATED AND MATTE TIN ON SOLDER TAIL END.
- 6 OBSOLETE PARTS: OBSOLETE CIS STREAMLINING PER D.RENAUD/D.SINISI



RECOMMENDED LAYOUT FOR 3.18 [.125] THICK PC BOARD

6	PH BRZ GOLD 5	NYLON,NATURAL 2	350991-5
	PH BRZ TIN	NYLON,NATURAL 2	350991-4
	PH BRZ GOLD 4	NYLON,NATURAL 2	350991-3
	CONTACT	HOUSING	PART NO

THIS DRAWING IS A CONTROLLED DOCUMENT.		DWN K. WHITAKER 11OCT2005	Tyco Electronics Corporation Harrisburg, PA 17105-3608
DIMENSIONS: mm [INCHES]		CHK S. RIDGILL 11OCT2005	
TOLERANCES UNLESS OTHERWISE SPECIFIED:		APVD S. RIDGILL 11OCT2005	NAME SOCKET HEADER ASSEMBLY, 12 CIRCUIT, LONG TAIL, UNIVERSAL MATE-N-LOK (TM)
0. PLC ±	1. PLC ±	APPLICATION SPEC	SIZE A1
2. PLC ±	3. PLC ±	WEIGHT	CAGE CODE 00779
4. PLC ±	ANGLES ±	RESTRICTED TO	DRAWING NO 350991
FINISH SEE TABLE	FINISH SEE TABLE	CUSTOMER DRAWING	SCALE 5:1
		SHEET 1 OF 1	REV G2

METRIC