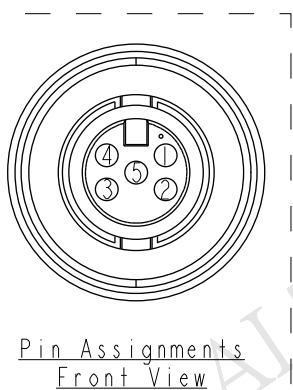
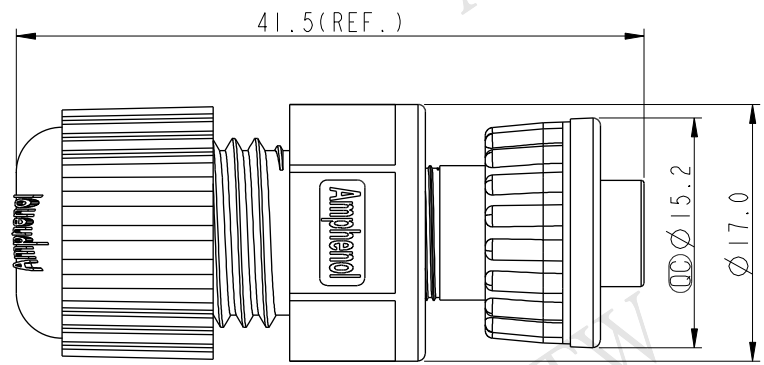
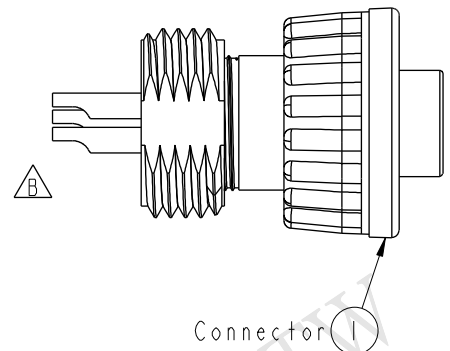
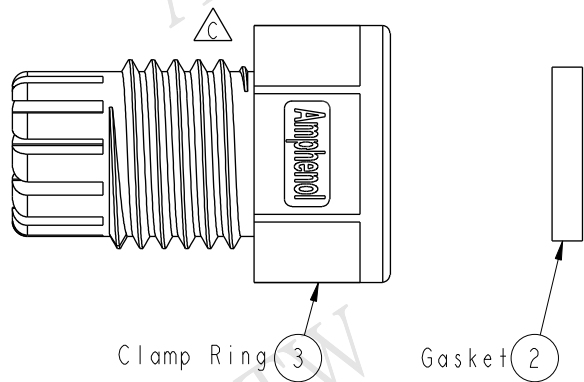
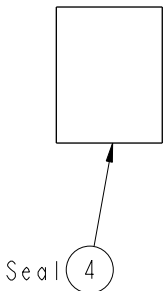
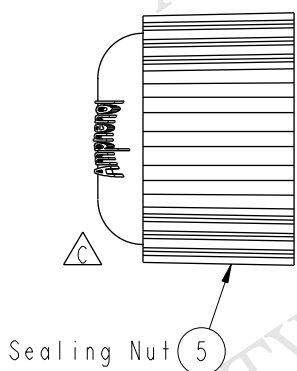


THIS DOCUMENT IS SUBJECT TO CHANGE WITHOUT NOTICE. IT IS CONFIDENTIAL AND A PROPERTY OF Amphenol LTW. DISCLOSURE TO THIRD PARTY HAS TO BE AUTHORIZED BY Amphenol LTW.

REV.	ECN NO.	DATE	SIGN	DESCRIPTION
B	LEN-0C0298	2010/11/25	Ivan Lin	Change View & Frame
C	LEN14B0090	2014/11/03	Vicky	Update Logo

ALTW
 CONFIDENTIAL
 2014-11-03
 R&D DEPT.

ALTW
 DCC. DEPT.
 CONFIDENTIAL
 2014.11.11
 ISSUED



- Note:
- * \varnothing Important Dimension To Check.
 - * Waterproof Rate: IP67
 - * Housing: Nylon+GF, Black
 - * Female Pin: Copper Alloy, Gold Plated
 - * O-Ring: EPDM, Black
 - * Lock Nut: Nylon+GF, Black
 - * Δ Gasket: EPDM, Black
 - * Clamp Ring: Nylon, Black
 - * Seal: EPDM, Black
 - * Sealing Nut: Nylon, Black
 - * Seal For Cable OD: $\varnothing 4.5\text{mm} \sim \varnothing 6.5\text{mm}$
(防水墊圈線徑: $\varnothing 4.5\text{mm} \sim \varnothing 6.5\text{mm}$)
 - * One Set Unassembled In One PE Bag
(每一組未組裝, 放置於一個PE袋, 並封口)

UNIT: mm TOLERANCE .X ± 0.25 .XX ± 0.1 .XXX ± 0.05 ANGLES $\pm 1^\circ$		TITLE LOCK TYPE CONN. FOR FIELD INSTALLATION 180° 5PIN F CONN. F PIN (2A)		Amphenol LTW 安費諾亮泰企業股份有限公司		ITEM NO AU-05BFFA-LL7001	DRAWN BY Vicky	DATE 2014-11-03	
		SCALE 2:1	SIZE A4			SHEET 1 OF 1	DWG NO AU-05BFFA-LL7001	CHECKED BY Sam	DATE 2014-11-03
		REV. C	WC-REV. A.1			\varnothing : Inspection item	CUSTOMER ALTW	APPROVED BY Rita	DATE 2014-11-03