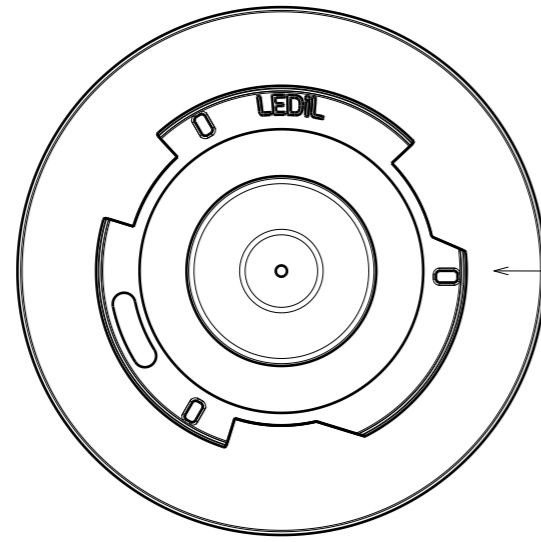
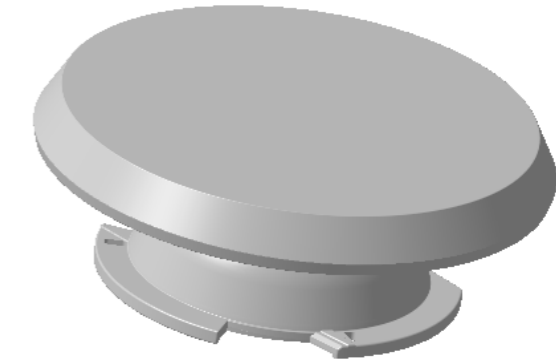


Bottom view
Scale: 1:1

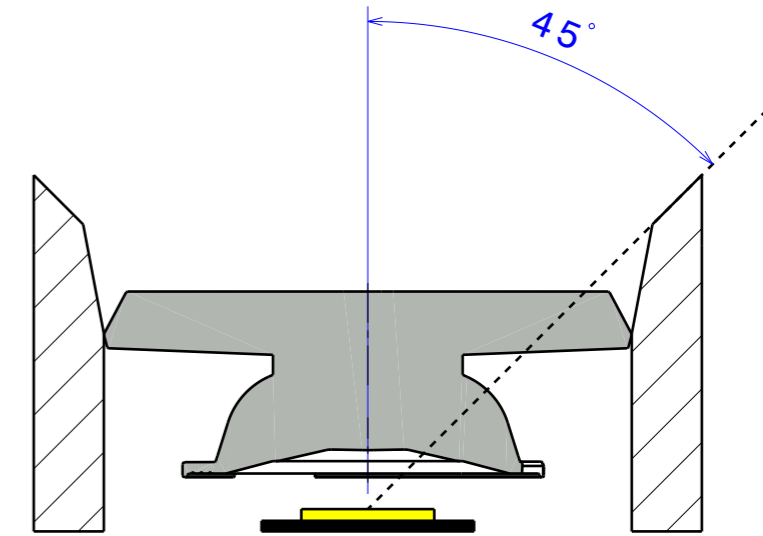
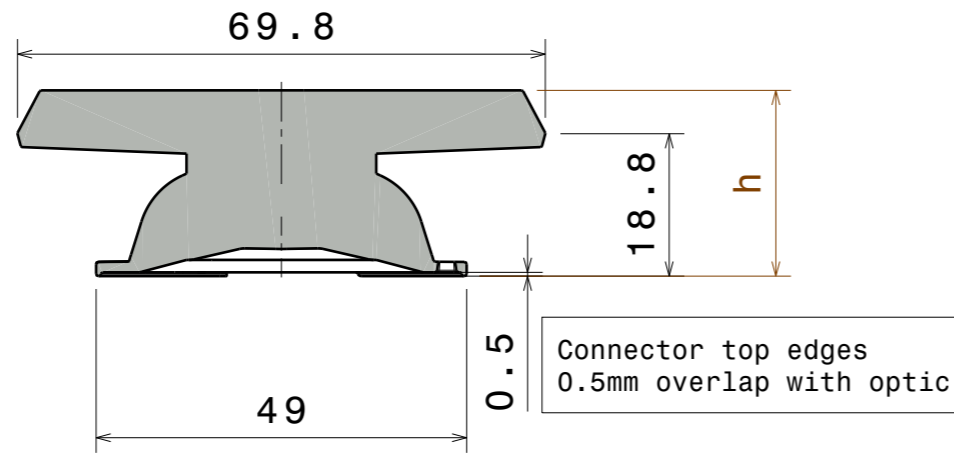


Direct bayonet fit to standard 3-hook connector designs



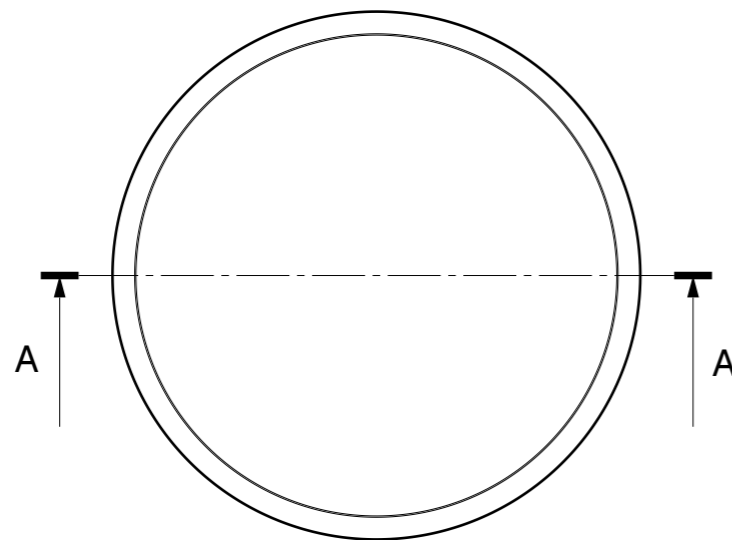
Isometric view
Scale: 1:1

Section view A-A
Scale: 1:1



Typical recessed mounting

Top view
Scale: 1:1



Part no.	h
C15800_MOLLY-S	24.8
C15801_MOLLY-M	23.6
C15802_MOLLY-W	22.1

INDEX	PART NO	DESCRIPTION	MATERIAL	COLOUR
1	C15800 C15801 C15802	MOLLY	PMMA	Clear

Tolerances if not otherwise shown
According to DIN ISO 2768-1
Linear measures:
Up to 30mm class F_M, otherwise see class M.
According to DIN ISO 2768-2
Form and position: class K
Control for SPC marked dimensions.

LEDiL LediL Oy
Salorankatu 10
FIN 24240 SALO
Finland

THIRD ANGLE PROJECTION:

DRAWING TITLE
MOLLY

This drawing is the property of LEDiL Oy. It may not be reproduced, copied or communicated without a written agreement with LEDiL Oy.

SIZE PART NUMBER
A3 C15800_ C15801, C15802

SCALE 1:1 WEIGHT - g SHEET 1/1