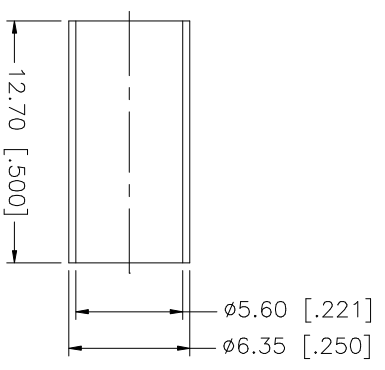
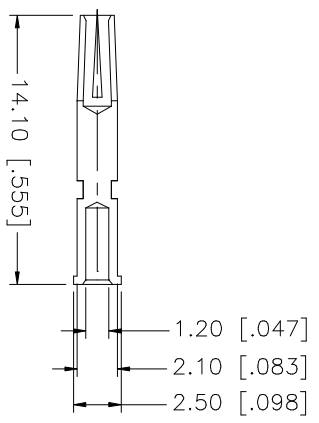
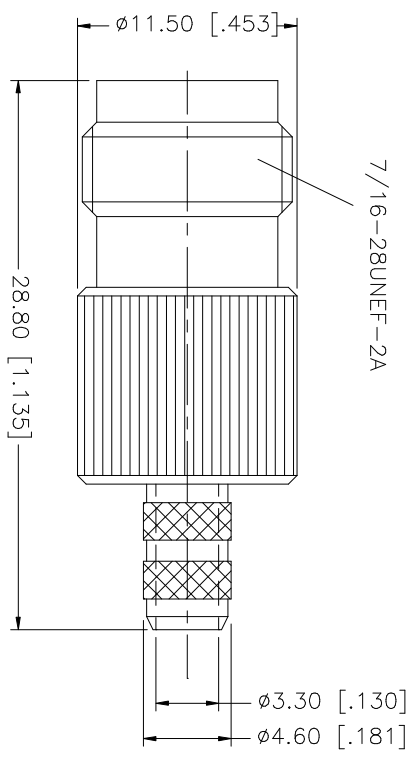
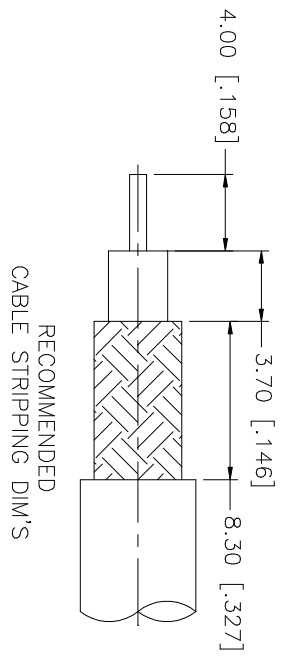


REV.	DATE	DESCRIPTION
NC	07/28/98	INITIAL RELEASE
A	08/04/05	UPDATE DRAWING FORMAT



NO.	DESCRIPTION	MATERIAL	FINISH	QTY	UNLESS OTHERWISE SPECIFIED DIMENSIONS ARE IN MILLIMETERS DIMENSIONS IN [] ARE IN INCHES AND FOR CUSTOMER REFERENCE ONLY.	UNLESS OTHERWISE SPECIFIED TOLERANCES FOR MILLIMETERS ARE:	UNLESS OTHERWISE SPECIFIED TOLERANCES FOR INCHES ARE:	APPROVALS	DATE	PART DESCRIPTION					
8								DRAWN	G.R.S.	08/04/05	<p>Amphenol Connex</p> <p>TNC CRIMP JACK (FOR LMR 200 CABLE)</p> <p>122412</p>				
7								CHECKED							
6								ISSUED							
5								SHEET	1 OF 1						
4	FERRULE	COPPER	NICKEL	1		0.5 - 8mm ± 0.20mm	.020 - .315 = ± 0.007"								
3	CONTACT PIN	PHOS. BRONZE	GOLD	1		8 - 30mm ± 0.40mm	.315 - 1.180 = ± 0.015"								
2	INSULATOR	TEFLON	NATURAL	1		30 - 120mm ± 0.50mm	1.180 - 4.724 = ± 0.020"								
1	BODY	BRASS	NICKEL	1											
DESCRIPTION					MATERIAL	FINISH	QTY	DO NOT SCALE DRAWING							
					CAD FILE	C:/122/122412.DWG		DWG. NO.	122412.DWG	REV.	A	SIZE	A	SCALE	NA