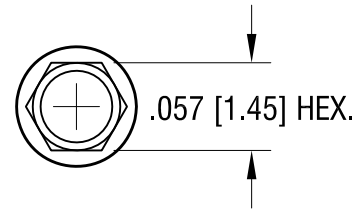
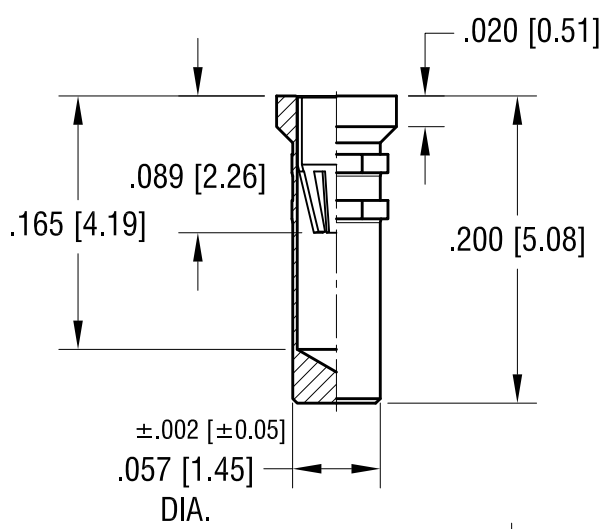
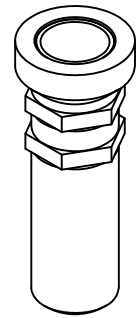
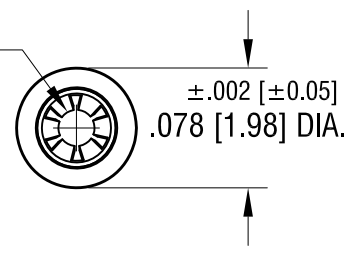


THIS DOCUMENT IS THE PROPERTY OF KEYSTONE ELECTRONICS CORP. AND SHALL NOT BE REPRODUCED, DISTRIBUTED OR USED AS A BASIS FOR MANUFACTURE WITHOUT PRIOR WRITTEN PERMISSION FROM KEYSTONE ELECTRONICS CORP.

6-FINGER CLOSED  
ENTRY CONTACT FOR  
.025 [0.63] - .037 [0.94]  
DIAMETER PIN.



NOTES:

1. SPRING CONTACT:  
MAT'L - BERYLLIUM COPPER  
FINISH - GOLD PLATE

BODY:  
MAT'L - BRASS  
FINISH - TIN/LEAD PLATE

2. MOUNTING HOLE DIA.: .061 [1.55]

<b>KEYSTONE ELECTRONICS CORP.</b>			
www.keyelco.com • ASTORIA, N.Y. 11105-2017 • Tel (718) 956-8900			
PART NAME		MICRO JACK, PRESS-FIT	
MATERIAL		AS NOTED	
FINISH	AS NOTED	DRN BY	BOONE
		APP'D	LN
		DATE	3.7.07
		SCALE	8X
TOLERANCES	INCH [MM]	CODE	DWG NO.
DECIMAL	± .005 [± 0.15]	C/M	<b>1699</b>
ANGULAR	± 1°		
UNLESS OTHERWISE SPECIFIED			

3.25.11	CHANGE AS PER ECN 11-040	A
DATE	DESCRIPTION	REV.