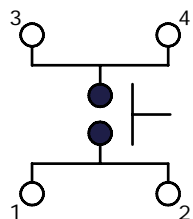
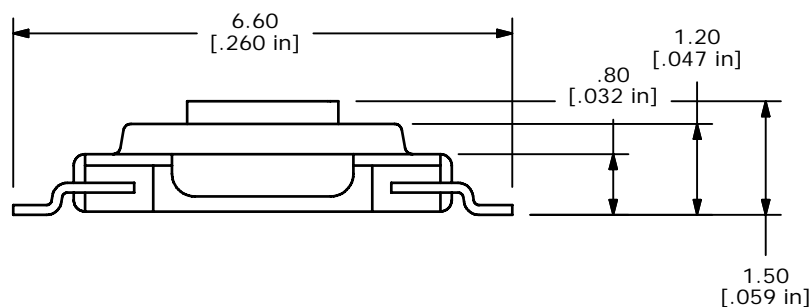
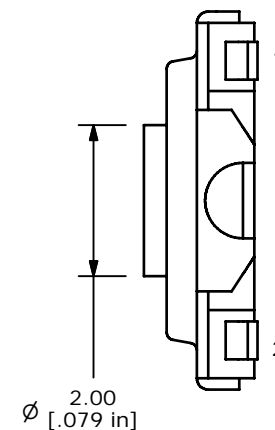
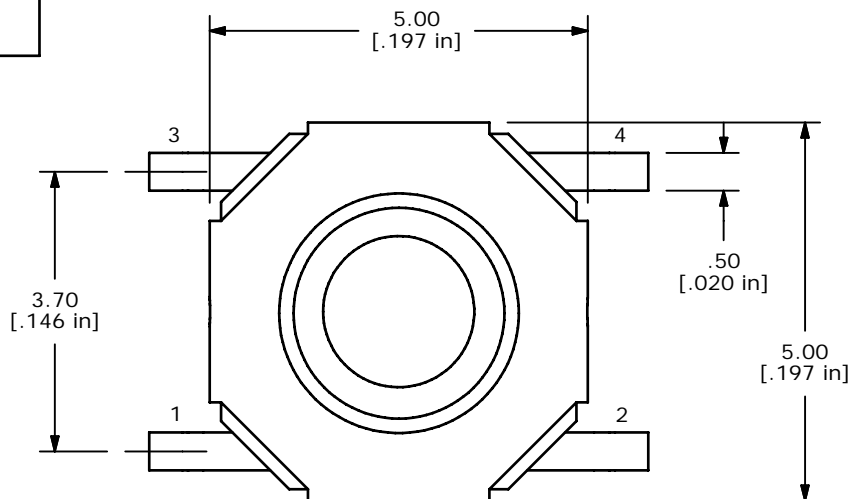
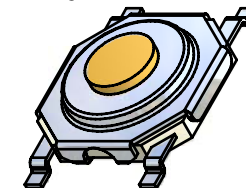


P.C. LAYOUT



CIRCUIT: SPST

ISOMETRIC



NOTES:

1. ALL DIMENSIONS IN MM
2. GENERAL TOLERANCE: X.X=±0.4  
X.XX=±0.25
3. TERM. NOS. FOR REFERENCE ONLY.
4. RATING: 12VDC @50 MILLI-AMPS
- ▲ 5. OPERATING FORCE: 500 ± 100 gms
6. TRAVEL: 0.25mm +0.1/-0.2
7. MECHANICAL/ELECTRICAL LIFE 1,000 CYCLES MIN.
- ▲ 8. CONTACT MATERIAL: SILVER
9. CONTACT RESISTANCE: 500 m Ohms max.
- ▲ 10. PACKAGE: TAPE AND REEL, 4000 PER REEL
- ▲ 11. ▲ DENOTES CRITICAL PARAMETER
12. 2002/95/EC (ROHS) COMPLIANT



TITLE TL3342F500QG

A	20647	New Release	6/13/12	rc
REV	PCR NO	DESCRIPTION	DATE	BY

SCALE	DATE	DR	DWG	REV
8:1	6/13/2012	rc	P010600	A

THE INFORMATION CONTAINED IN THIS DOCUMENT IS PROPRIETARY TO E-SWITCH AND IS NOT TO BE COPIED OR TRANSFERRED