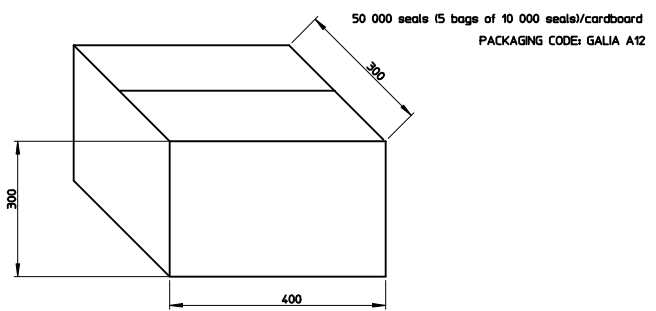


BULK PACKAGING



PART NUMBER	COLOR	TYPE	ALLOWED WIRE DIAMETER	WEIGHT (g)	ØA	ØB
0643251366	BLUE	2	3.40/4.20	0.137	2.55/2.70	2.80/2.95
0643251358	GREY	2	2.65/3.50	0.158	2.00/2.15	2.20/2.35
0643251345	GREEN	1	2.00/2.80	0.168	1.40/1.70	2.25/2.55
0643251332	RED	3	1.30/2.15	0.190	0.70/1.00	-

SPC: DENOTE SPC DIMENSION (3)

QUALITY SYMBOL COUNT	
PERFORMANCE	▽ - 10
ASSEMBLY	▽ - 0
CUSTOMER	▽ - 0

▽ MATERIAL SPECIFICATION : Silicon elastomer type LSR self bleeding (2% approx)

Flash max 0.1. No cut, no short shots. no tear, no distortion on seal lips allowed.

UPDATE TYPE 2 EEC NO: G2003-0087 DRYNADVERHERE 2012/09/27 CHYKO-DUCLOS 2012/09/28 APPROUPLISSIS 2012/10/26 REV DESCRIPTION	GENERAL TOLERANCES (UNLESS SPECIFIED) mm INCH		DIMENSION STYLE MM ONLY		SCALE 10:1	DESIGN UNITS METRIC	FIRST ANGLE PROJECTION
	4 PLACES ± --- ± ---		DRAWN BY	DATE	TITLE		
	3 PLACES ± --- ± ---		JDUCLIOS	2010/04/07	SGL WIRE SEALS 2.8 W/O RIB		
	2 PLACES ± 0.1 ± ---		CBOUCHAN	2010/04/07	molex		
1 PLACE ± 0.1 ± ---		APPROVED BY	DATE	MATERIAL NO.	DOCUMENT NO.	SHEET NO.	
0 PLACE ± 0.1 ± ---		BMOSE	2010/05/04	SEE CHART	SD-64325-006	1 OF 1	
ANGULAR ±1/2° DRAFT WHERE APPLICABLE MUST REMAIN WITHIN DIMENSIONS		THIS DRAWING CONTAINS INFORMATION THAT IS PROPRIETARY TO MOLEX INCORPORATED AND SHOULD NOT BE USED WITHOUT WRITTEN PERMISSION					