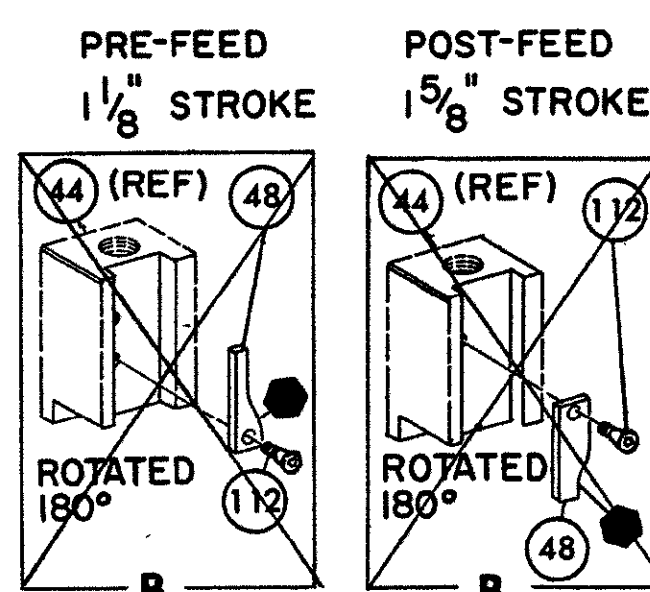
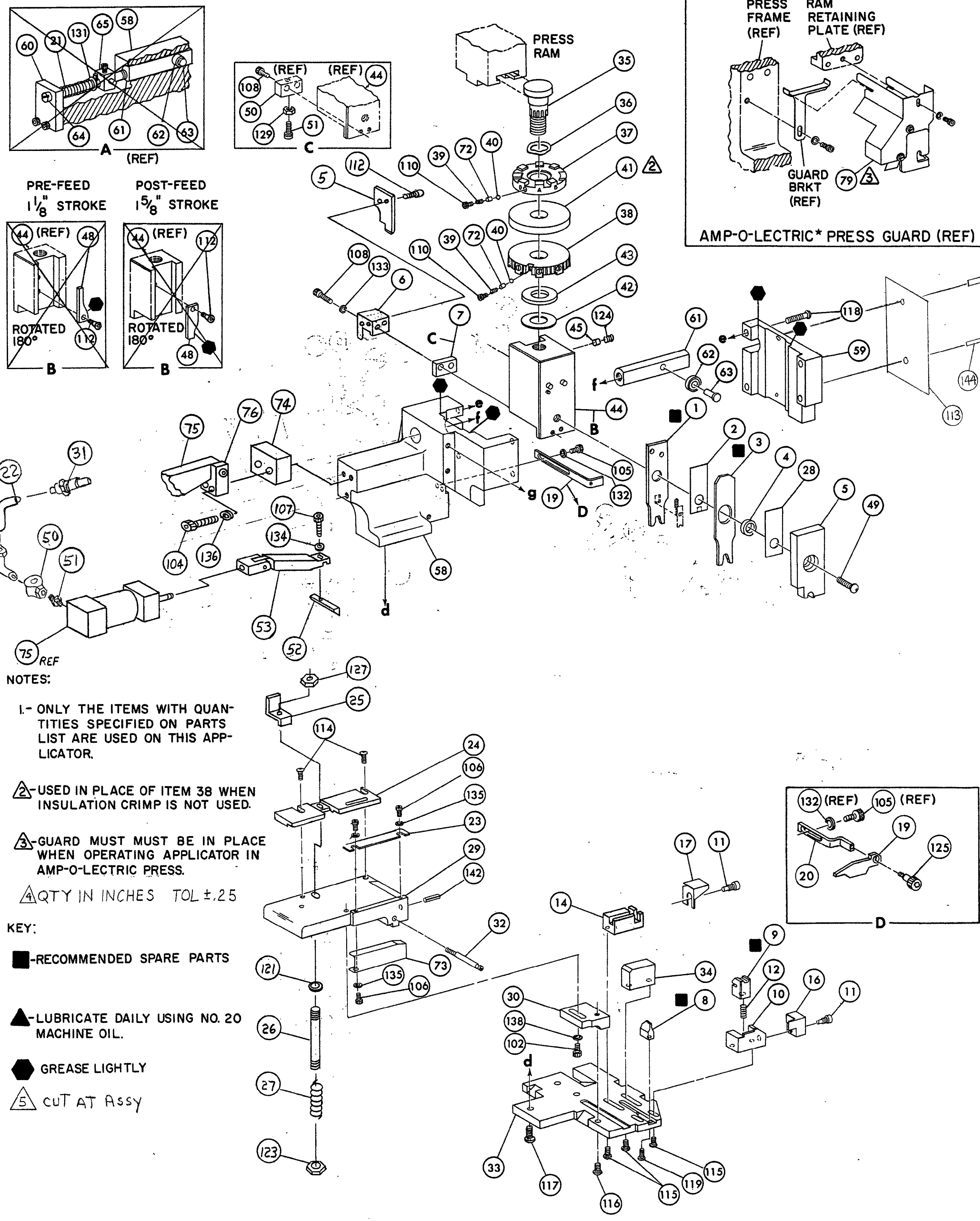


THIS DRAWING IS A CONTROLLED DOCUMENT.



NOTES:

1- ONLY THE ITEMS WITH QUANTITIES SPECIFIED ON PARTS LIST ARE USED ON THIS APPLICATOR.

△-USED IN PLACE OF ITEM 38 WHEN INSULATION CRIMP IS NOT USED.

△-GUARD MUST BE IN PLACE WHEN OPERATING APPLICATOR IN AMP-O-LECTRIC PRESS.

△QTY IN INCHES TOL ±.25

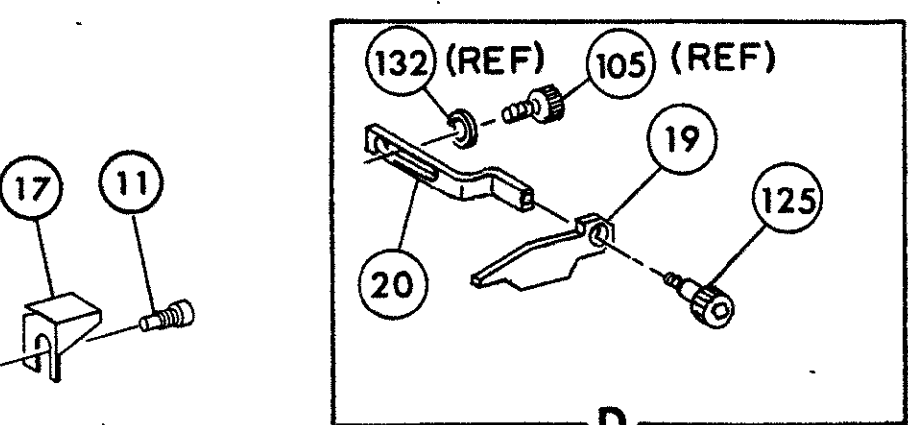
KEY:

■-RECOMMENDED SPARE PARTS

▲-LUBRICATE DAILY USING NO. 20 MACHINE OIL.

● GREASE LIGHTLY

△ CUT AT Assy



QTY	PART NO	DESCRIPTION	ITEM NO	QTY	PART NO	DESCRIPTION	ITEM NO
	21045-3	RING, RETAINING 'C' (.187 DIA) FEED FINGER PIN	145		454220-1	CAP, HOUSING	59
2	21017-2	SCR DRIVE (#2X.19) PLATE ID	144		454485-1	HOUSING	58
	5-21028-1	PIN, SLOT SPR (.125 DIA X .50) ADJ ROD	143		692655-1	VALVE ASSY	57
	4-21028-0	PIN, SLOT SPR (.093 DIA X .75) STR G PLATE	142		24042-2	VALVE, SHUT-OFF	56
	1-21030-1	PIN, DOWEL (.187 DIA X .50) LEVER	141		240624-1	PIN, FEED FINGER	55
	1-21030-6	PIN, DOWEL (.187 DIA X 1.25) HOUSING	140		691499-1	SPRING, FEED FINGER	54
	21024-5	WASHER, LOCK (NO 10) LUB ASSY	139		461062-1	FINGER, FEED ASSY	53
1	21024-5	WASHER, LOCK (NO 10) STRIP GUIDE ADJ BLOCK	138		694433-9	FEED PAWL	52
	21024-5	WASHER, LOCK (NO 10) ADJ PLATE	137		22304-1	NIPPLE, HEX	51
2	21024-5	WASHER, LOCK (NO 10) FEED GUIDE ROD	136		22374-7	VALVE, QUICK EXHAUST	50
1	21024-3	WASHER, LOCK (NO 8) FRONT STRIP GUIDE	135		7-21002-9	BOLT, CRIMPER	49
1	21024-4	WASHER, LOCK (NO 8) FEED FINGER	134			CAM FEED STROKE	48
	21024-4	WASHER, LOCK (NO 8) DEPRESSOR	133		785883-2	ELBOW, TUBING V8 NPT	47
1	21024-4	WASHER, LOCK (NO 8) STRIPPER	132		459456-1	APPLICATOR, BASIC (SUB ASSY)	46
	21899-4	WASHER, FLAT (5/16 DIA) SCREW ADJ	131		690191-1	PLUG, NYLON	45
	21899-2	WASHER, FLAT (NO 10) LUB ASSY	130		455673-1	RAM	44
	21018-5	NUT, HEX MACH (6-32) HOLDDOWN	129		690125-1	WASHER, LAMINATED	43
	21018-5	NUT, HEX MACH (6-32) FEED ADJ	128		690124-1	WASHER, RAM	42
1	21018-6	NUT, HEX MACH (8-32) DRAG	127			DISC, SPACER	41
	22353-8	SCR, SHLD (.187 DIA X .250 LG) DRAG LEVER	126		23241-6	BALL, STEEL	40
	456567-1	SCR, SHLD (.188 DIA X .125 LG) STRIPPER	125		690170-1	SPRING, COMPRESSION	39
1	21009-2	SCR, SKT SET (1/4-20 X .25) (LOC-WEL) RAM	124		690142-1	DISC, INSULATION	38
1	21022-2	NUT, HEX LOCK (8-32) DRAG					