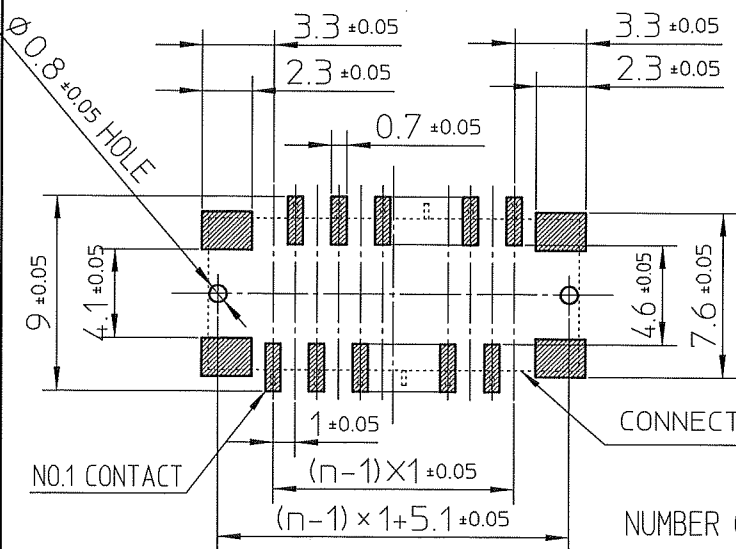


PT. NO.	PARTS NAME	MATERIAL	Q'TY	NOTE
1	HOUSING	GLASS FILLED THERMOPLASTIC RATED.(UL94V-0)	1	COLOR:BRACK
2	CONTACT	PHOSPHOR BRONZE	n	PLATING:TIN (LEAD FREE)
3	MOUNTING PLATE	BRASS	2	PLATING:TIN (LEAD FREE)

RECOMMENDED PC BOARD LAYOUT
(COMPONENT SIDE)



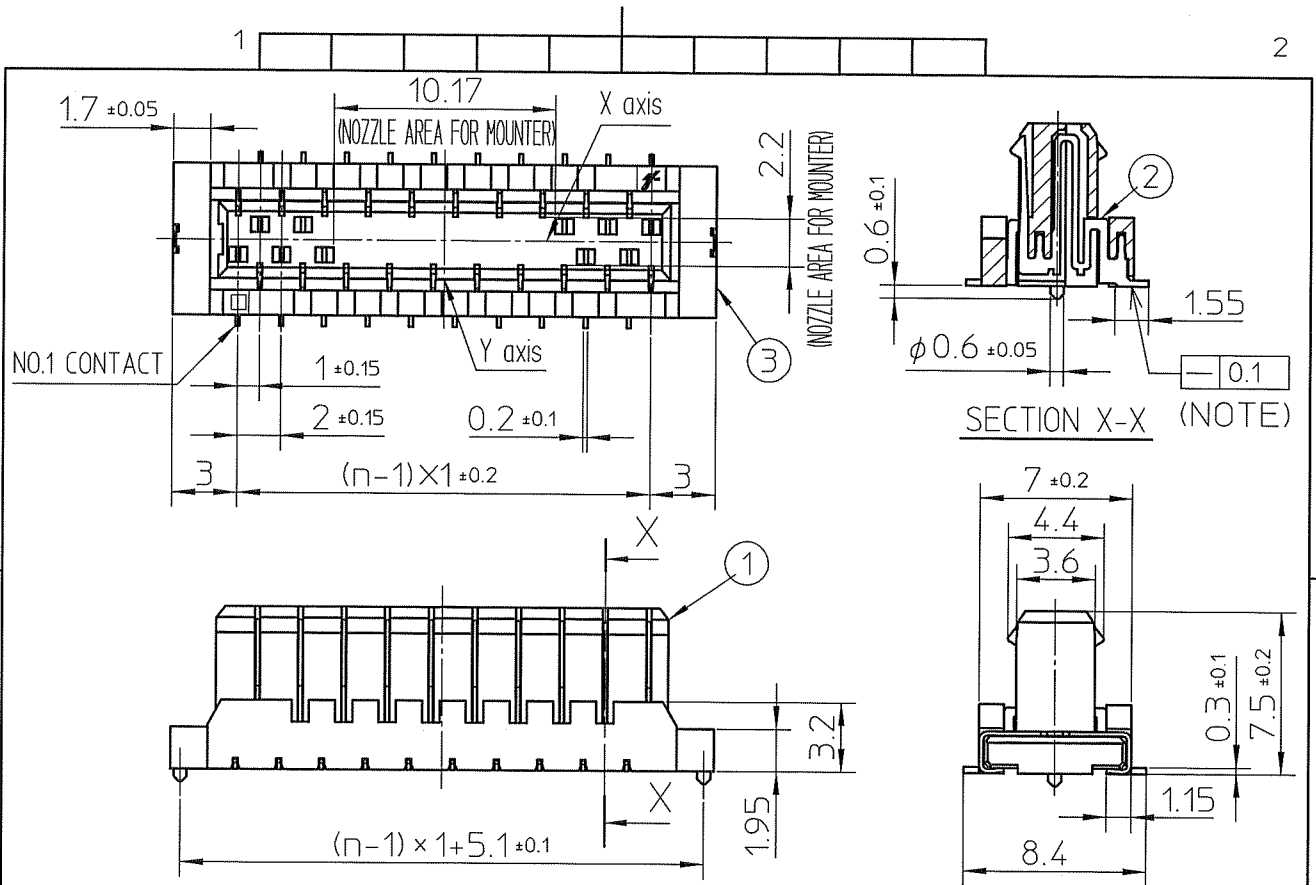
n:NO. OF CONTACTS

NOTE

- 1.This connector is symmetric for X,Y axis. As a result, It is possible to locate in emboss cavity even if rotated condition.
- 2.Flatness for contact terminal and mounting plate must be within 0.1.
- 3.This product meets European Union Directives and other country regulations as described in GS-22-008.

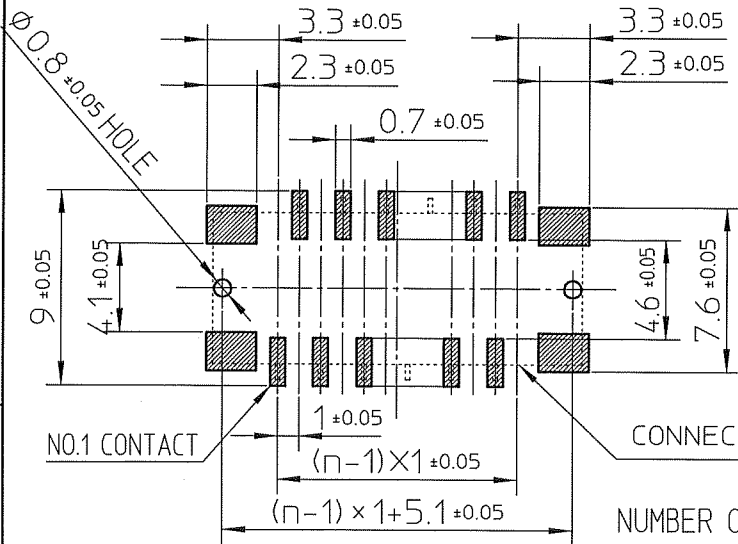
NUMBER OF CONTACTS : 10 TO 16 , ONLY EVEN POS.

mat'l. code				surface <input checked="" type="checkbox"/> ISO 1302 <input type="checkbox"/> tolerance <input type="checkbox"/> ISO 406 <input type="checkbox"/> ISO 1101		projection		product family 590F	
ltr	ecn no	dr	date	tolerances unless otherwise specified		scale		title FLOATING BOARD TO BOARD PLUG CONNECTOR (LEAD FREE) (CAT.No. BTFW__P-3SBTLF)	
A	J05-0470	M.K	Aug2,'05	angles	linear				
B	J07-0021	M.K	Jan.15,'07			dwg no		sheet 1 of 2	size
				dr	K.Higuchi	Jan.15,'07	JSA 96638		A4
				enr	M.Koga	Jan.15,'07	type		Product Customer Drawing
				chr	K.Higuchi	Jan.15,'07			
				appd	M.Koga	Jan.15,'07			
sheet index	revision sheet	B	B					Rev	
		1	2					B	



PT. NO.	PARTS NAME	MATERIAL	Q'TY	NOTE
1	HOUSING	GLASS FILLED THERMOPLASTIC RATED.(UL94V-0)	1	COLOR:BRACK
2	CONTACT	PHOSPHOR BRONZE	n	PLATING:TIN (LEAD FREE)
3	MOUNTING PLATE	BRASS	2	PLATING:TIN (LEAD FREE)

RECOMMENDED PC BOARD LAYOUT
(COMPONENT SIDE)



n:NO. OF CONTACTS

NOTE

- 1.This connector is symmetric for X,Y axis. As a result, It is possible to locate in emboss cavity even if rotated condition.
- 2.Flatness for contact terminal and mounting plate must be within 0.1.
- 3.This product meets European Union Directives and other country regulations as described in GS-22-008.

NUMBER OF CONTACTS : 18 TO 30 , ONLY EVEN POS.

mat'l. code				surface ISO 1302 ✓		tolerance ISO 406 ISO 1101		projection ⊕		product family 590F	
ltr				tolerances unless otherwise specified		angles		scale		title FLOATING BOARD TO BOARD PLUG CONNECTOR (LEAD FREE) (CAT.No. BTFW__P-3SBTLF)	
ecn no		dr		date		linear		← →		dwg no JSA 96638	
A J05-0470		M.K		Aug.2,'05		± 0.3		FCI		sheet 2 of 2	
B J07-0021		M.K		Jan.15,'07						size A4	
dr				K.Higuchi		Jan.15,'07				type Product Customer Drawing	
enrg				M.Koga		Jan.15,'07				Rev	
chr				K.Higuchi		Jan.15,'07				B	
appd				M.Koga		Jan.15,'07				D	
sheet index		revision sheet		B 1		B 2					