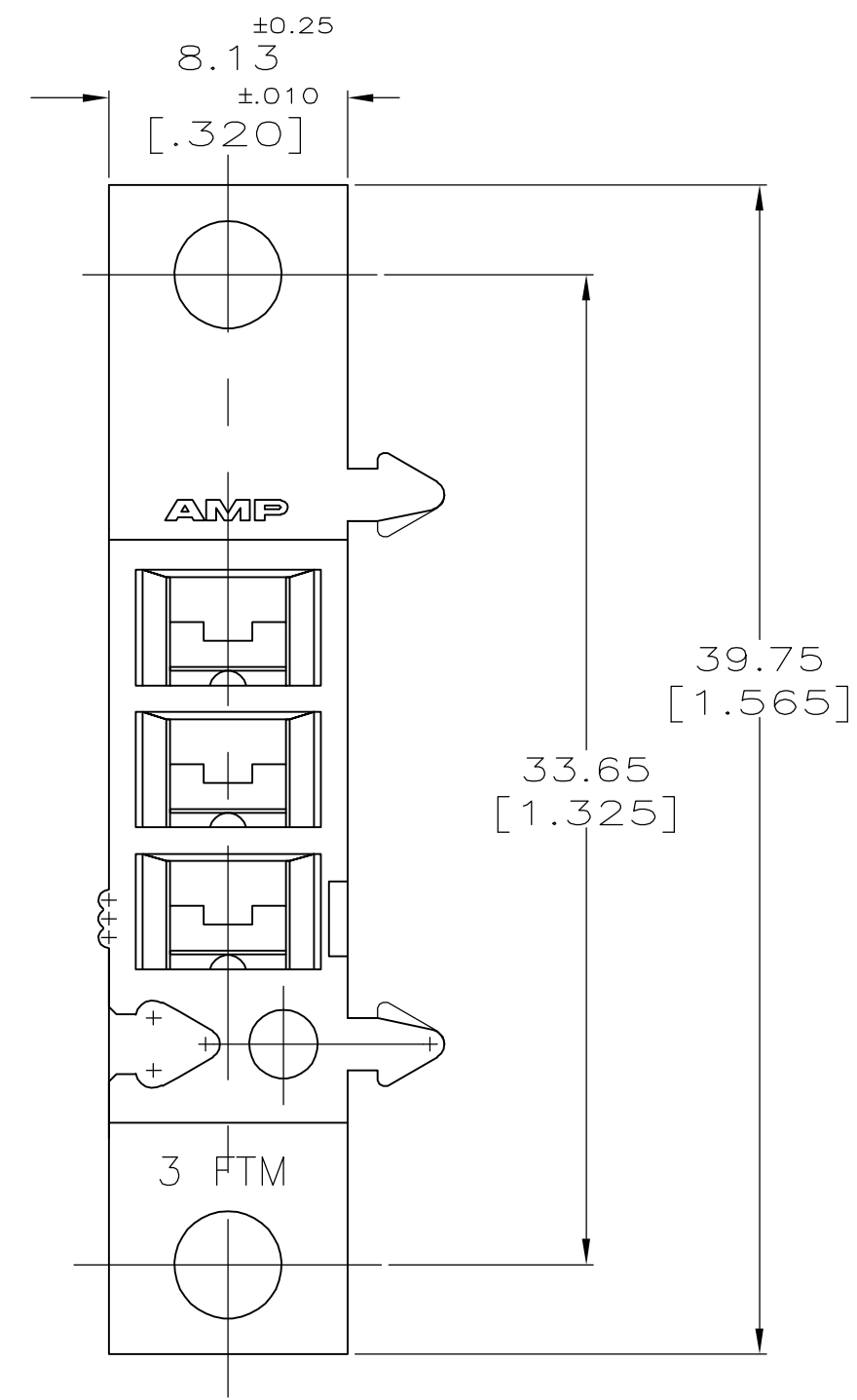
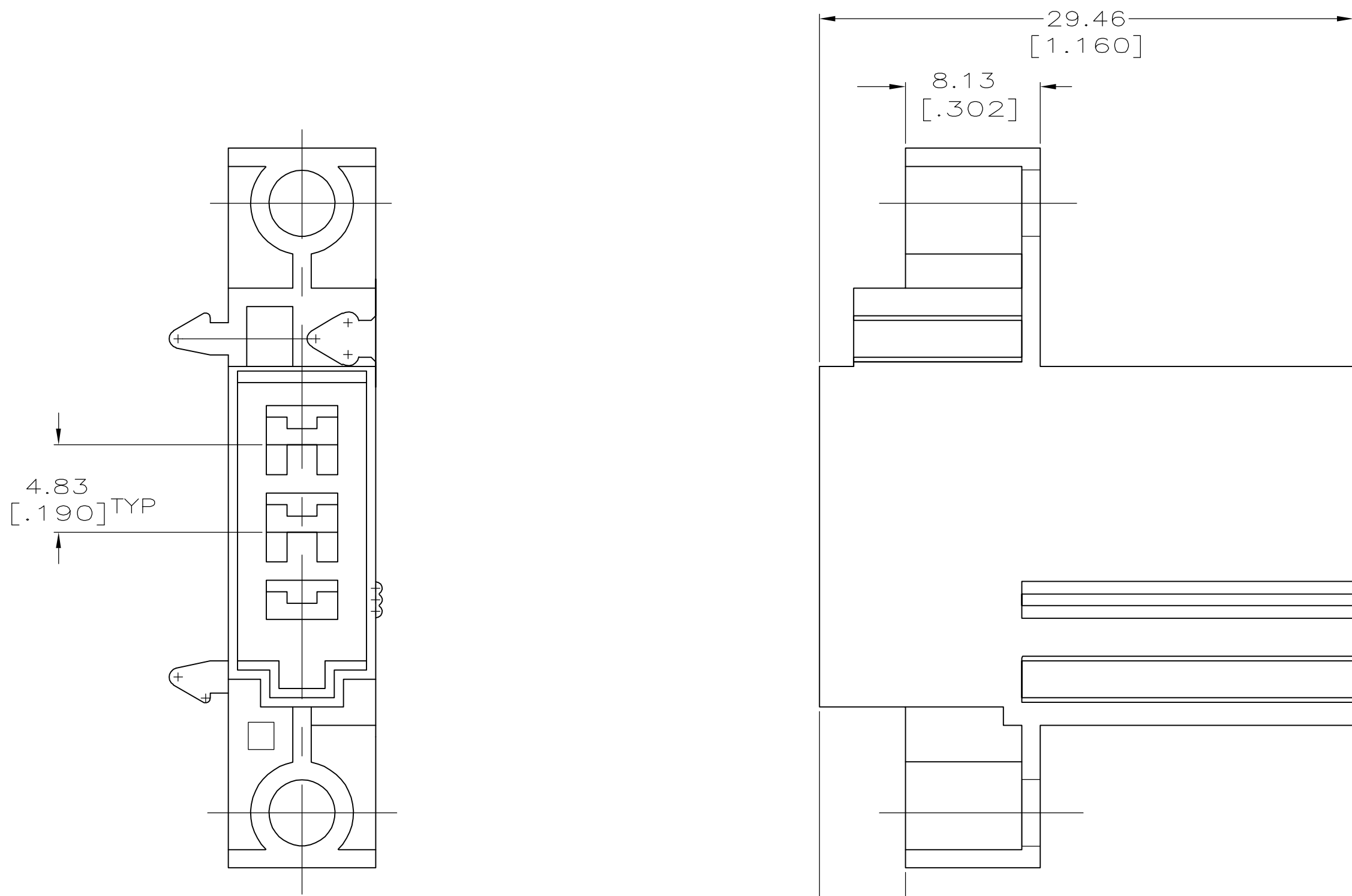


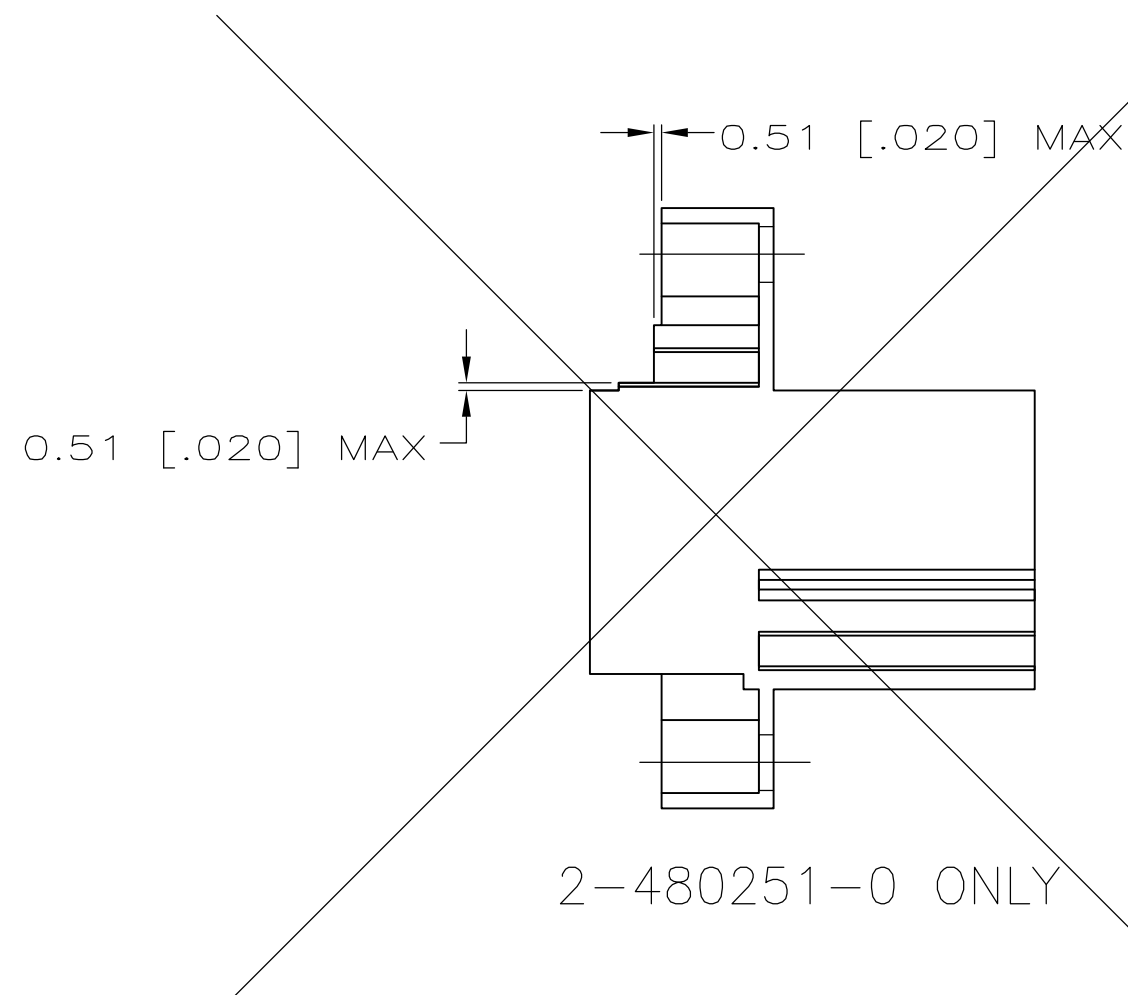
THIS DRAWING IS UNPUBLISHED. RELEASED FOR PUBLICATION
 © COPYRIGHT BY TYCO ELECTRONICS CORPORATION. ALL RIGHTS RESERVED.

LOC		DIST		REVISIONS			
P	LTR	DESCRIPTION		DATE	DWN	APVD	
AF	50	U1	REV PER ECR 05-004536	03OCT05	JR	KR	



4.75
[.187]

- 1 USE TERMINAL 60434
- 2 FOR MOUNTING HOLE DIMENSIONS SEE CP-22678 AND CP-22893
- 3 FOR MOUNTING HOLE DIMENSIONS FOR 2-480251-0 SEE CP-24310



COLOR	PART NO.
NATURAL	2-480251-0
RED	1-480251-9
BLACK	1-480251-8
GRAY	1-480251-7
VIOLET	1-480251-6
BLUE	1-480251-5
GREEN	1-480251-4
YELLOW	1-480251-3
ORANGE	1-480251-2
BROWN	1-480251-1
NATURAL	1-480251-0

THIS DRAWING IS A CONTROLLED DOCUMENT.		DWN JR RUTH 2/23/94	Tyco Electronics Corporation Harrisburg, PA 17105-3608	
DIMENSIONS: INCHES		CHK MS FEHER 2/23/94		
TOLERANCES UNLESS OTHERWISE SPECIFIED:		APVD R BEAVER 2/23/94	NAME HOUSING, TAB, FASTON, 4.75 [.187] SERIES	
0 PLC ± -		PRODUCT SPEC	SIZE A2	
1 PLC ± -		APPLICATION SPEC	CAGE CODE 00779	DRAWING NO C=480251
2 PLC ± 0.38 [.015]		WEIGHT -	RESTRICTED TO -	
3 PLC ± -		FINISH SEE TABLE	SCALE 4:1	
4 PLC ± -			SHEET 1 of 1	
ANGLES ± -		REV U1		
MATERIAL NYLON		CUSTOMER DRAWING		