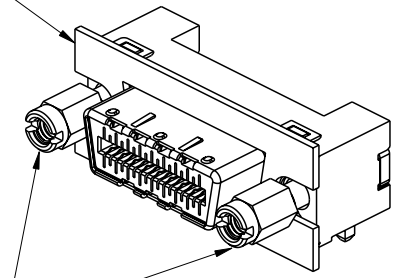
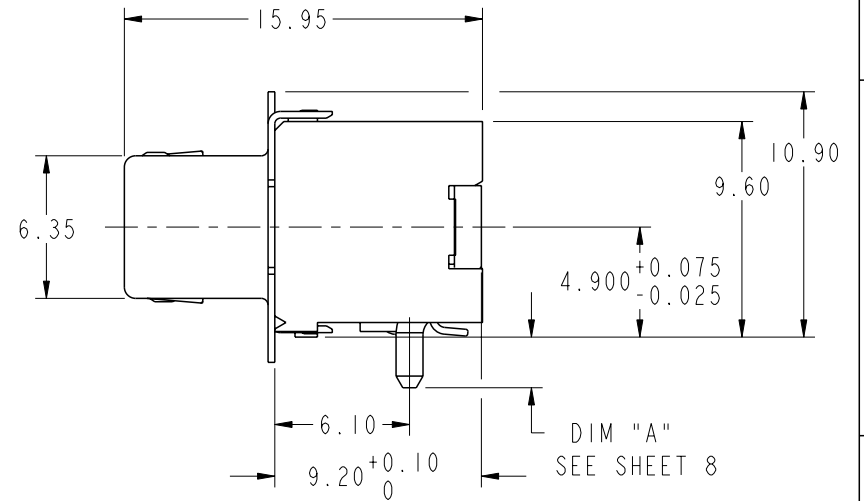
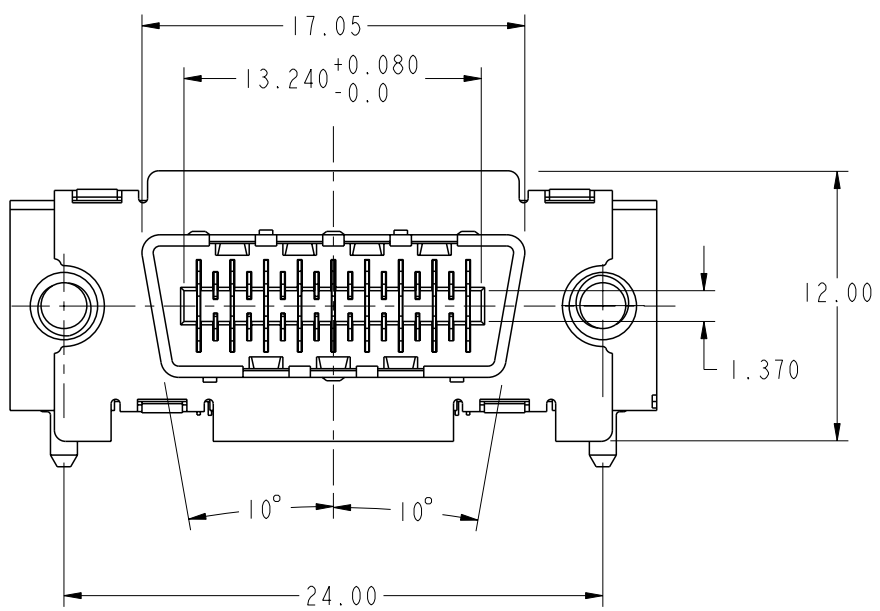


AVAILABLE WITH OR WITHOUT
EMI GASKET.
FOAM GASKET P/N 10019396-001 CAN
BE PURCHASED SEPARATELY.
METAL GASKET P/N 10043517 MUST BE
PURCHASED ALREADY ASSEMBLED.



P/N 10009634-001, 2X
THREADED STANDOFFS SOLD
SEPARATELY



Copyright FCI.

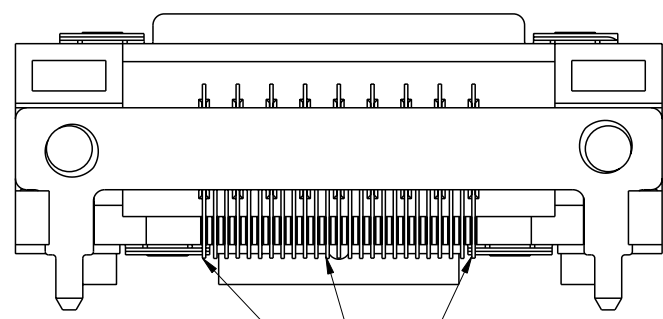
rev	ecn no	dr	date
D	V04-0460	DA1	2004/06/08
E	V04-0830	TAB	2004/08/18
F	V04-1005	DA1	2004/10/06
G	V05-0063	TAB	2005/02/14
H	105-0141	HVN	2005/08/12
J	106-0123	HVN	2006/07/26
K	108-0048	RPK	2008/03/28

www.fciconnect.com		surface 3.2 ASME Y14.5	tolerance std ASME Y14.5	projection ASME Y14.5	MM
		TOLERANCES UNLESS OTHERWISE SPECIFIED			
Dr	G. PETERS	2003/08/13	ANGULAR	0.X ±.30	size A4
Eng	D. BRANN	2003/08/13	LINEAR	0.XX ±.10	Scale 3:1
Chr	RAMESH P K	2008/03/27	0° ±2°	0.XXX ±.050	ECN 108-0048
Appr	RAMESH P K	2008/03/27	Product family EyeMax (tm)		Spec ref -
FCI		title 4X R/A THUMBSCREW RECPT ASSEMBLY, w/ 7 KEY SLOTS		chg no 10009629	Rev. K
		catalog no -	CUSTOMER		sheet 1 of 9

REV F - 2006-04-17



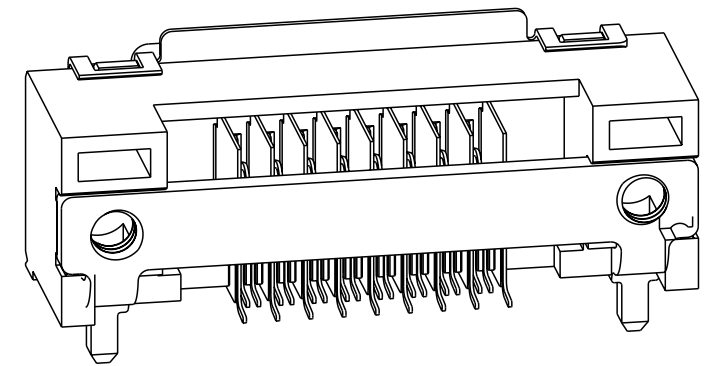
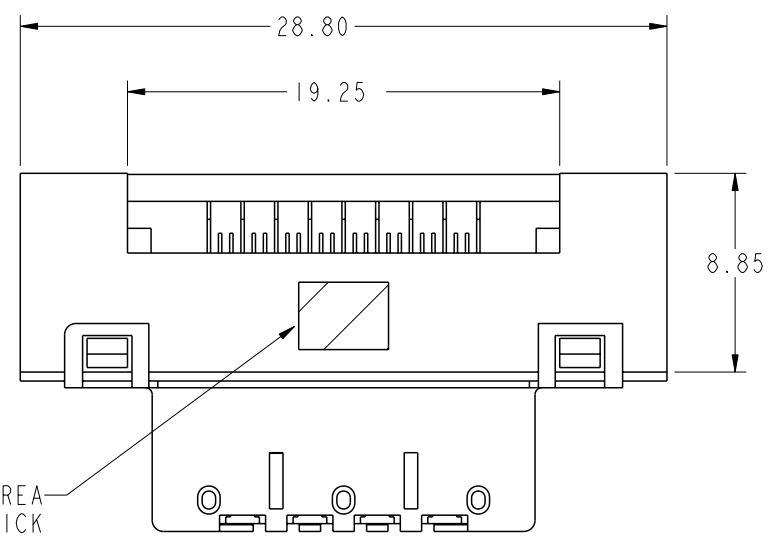
Copyright FCI.



0.13 D

COPLANARITY MEASUREMENT TO BE TAKEN AT THE BOTTOM MOST POINT ON CONTACT TAILS
COPLANARITY ZONE IS BELOW DATUM D.

CROSS HATCH AREA IS FOR VACUUM PICK & PLACE REF. ONLY



www.fciconnect.com		surface 3.2 ASME Y14.5	tolerance std ASME Y14.5	projection	MM
		TOLERANCES UNLESS OTHERWISE SPECIFIED			
Dr	G. PETERS	2003/08/13	ANGULAR	0.X ±.30	size A4
Eng	D. BRANN	2003/08/13	LINEAR	0.XX ±.10	Scale 3:1
Chr	RAMESH P K	2008/03/27	0° ±2°	0.XXX ±.050	ECN 108-0048
Appr	RAMESH P K	2008/03/27	Product family EyeMax (tm)		Spec ref -
		title 4X R/A THUMBSCREW RECPT ASSEMBLY, w/ 7 KEY SLOTS		chg no 10009629	Rev. K
		catalog no -	CUSTOMER		sheet 2 of 9

REV F - 2008-04-17

PDM: Rev:K

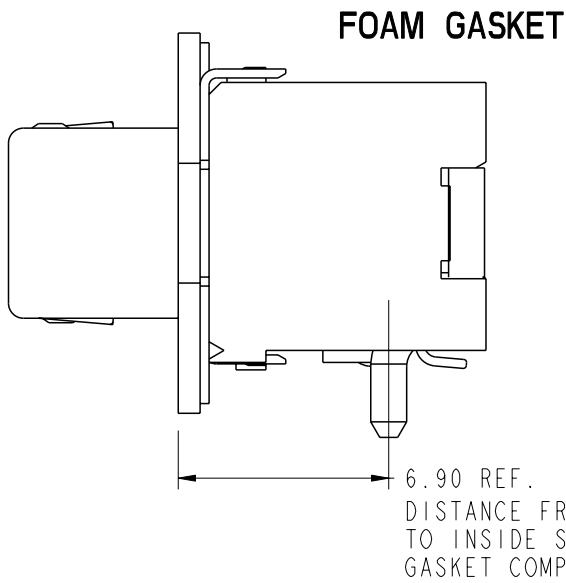
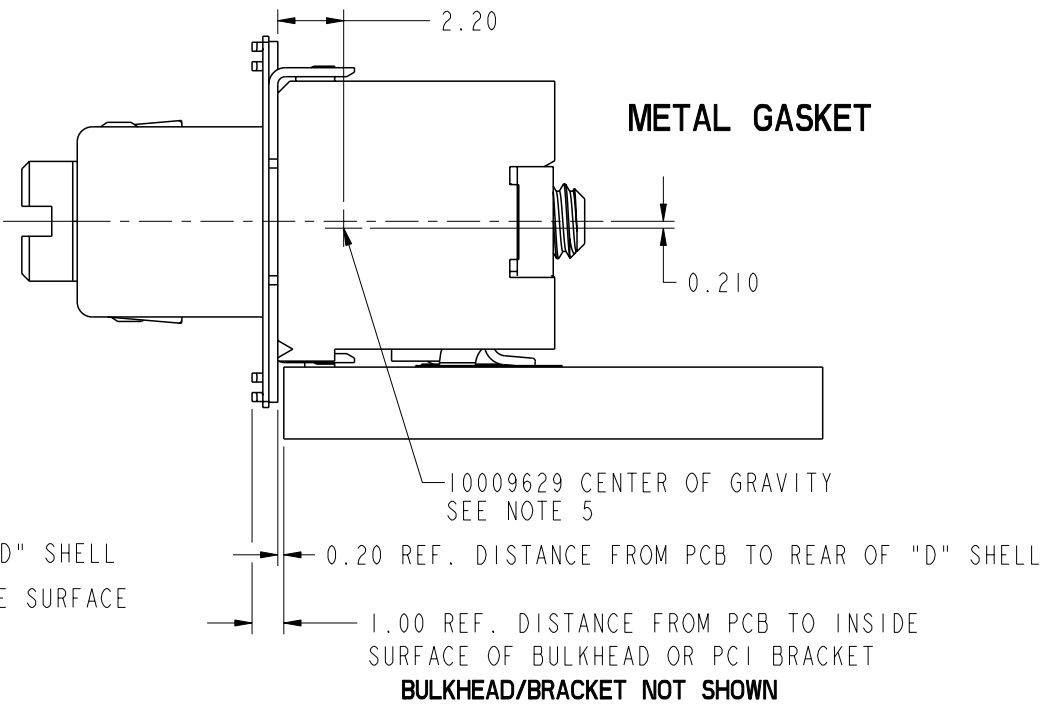
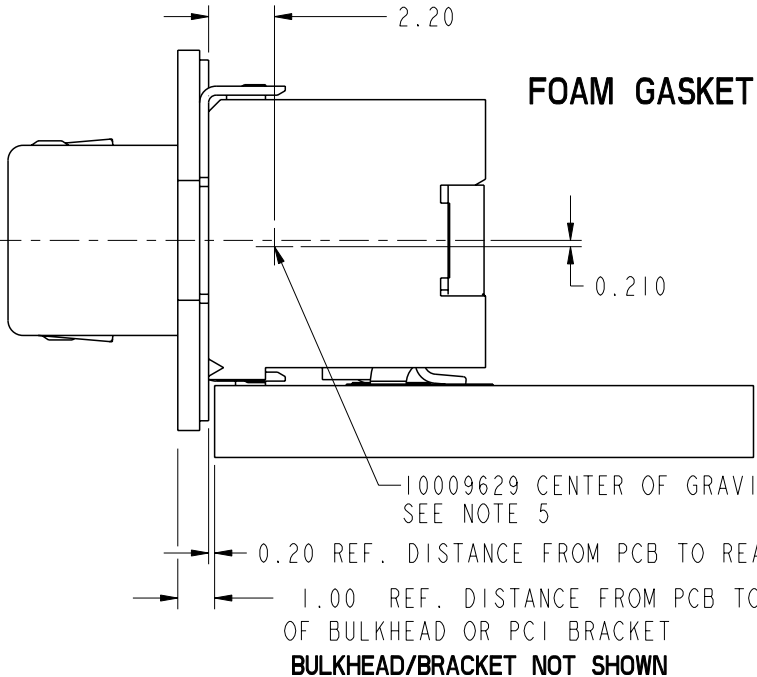
STATUS Released

Printed: Apr 02, 2008



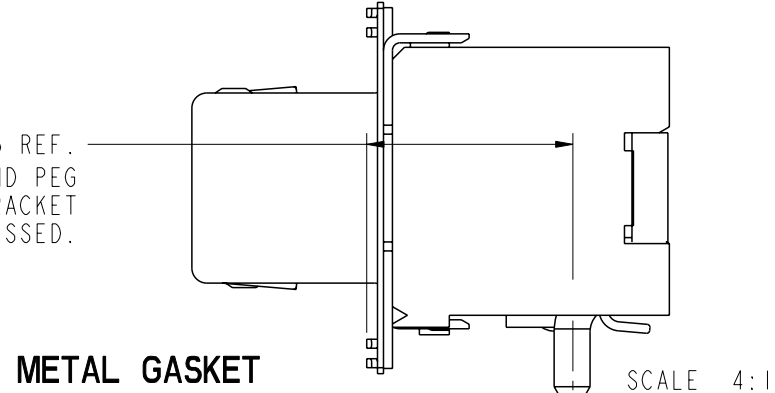
Copyright FCI.

REV F - 2008-04-17



6.75 REF.
DISTANCE FROM CENTER OF GROUND PEG
TO INSIDE SURFACE OF BULKHEAD OR PCI BRACKET
GASKET COMPRESSED.

BULKHEAD/BRACKET NOT SHOWN



www.fciconnect.com		surface 3.2 ASME Y14.5		tolerance std ASME Y14.5		projection MM	
		TOLERANCES UNLESS OTHERWISE SPECIFIED				A4	
Dr	G. PETERS	2003/08/13	ANGULAR	0.X	±.3	size	Scale 1:1
Eng	D. BRANN	2003/08/13	LINEAR	0.XX	±.10	ECN	108-0048
Chr	RAMESH P K	2008/03/27	0° ±2°	0.XXX	±.050	Spec ref	-
Appr	RAMESH P K	2008/03/27	Product family EyeMax (tm)				
		title		drawing no		Rev.	
		4X R/A THUMBSCREW RECPT ASSEMBLY, w/ 7 KEY SLOTS		10009629		K	
		catalog no		CUSTOMER		sheet 3 of 9	



Copyright FCI.

A

B

C

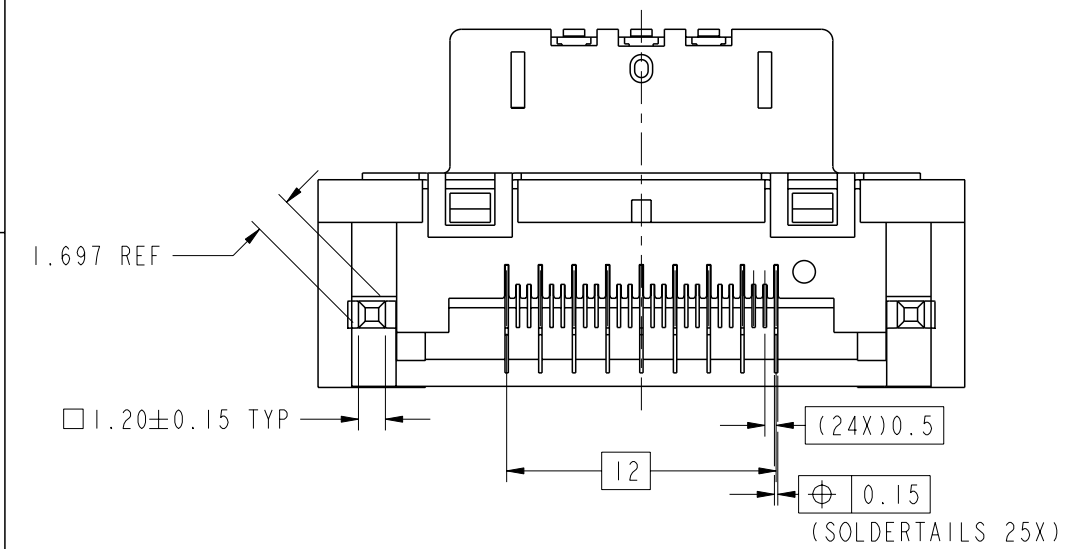
D

A

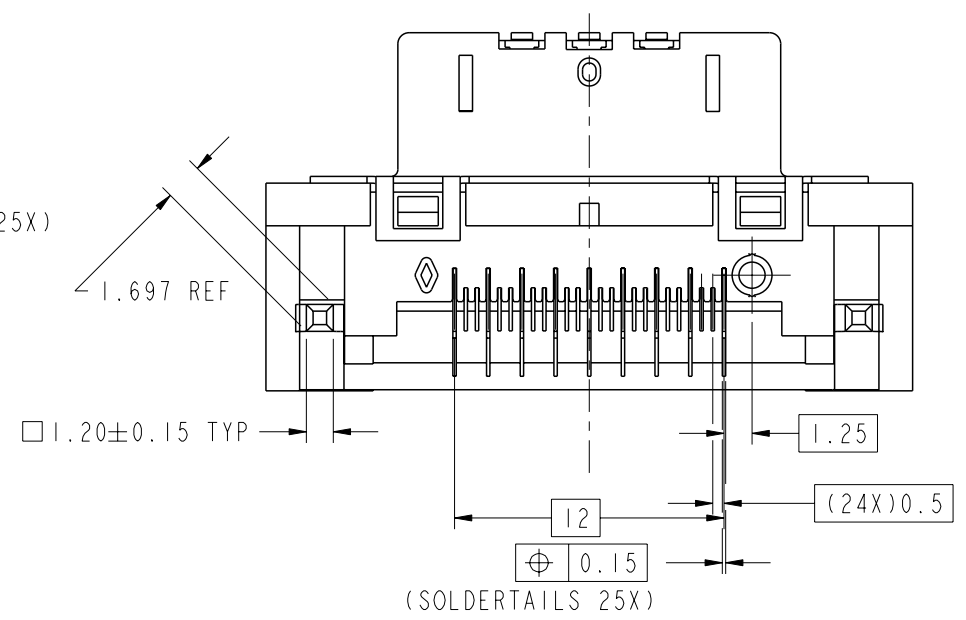
B

C

D



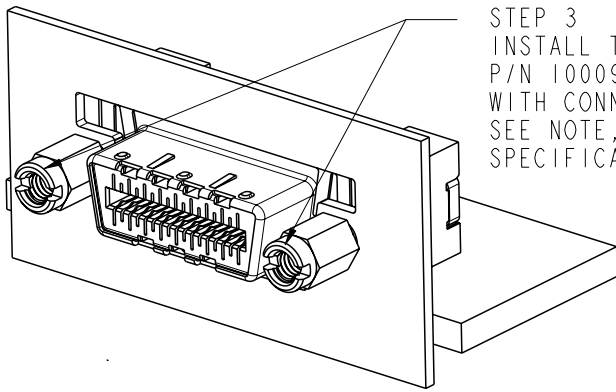
10009629-1XX0XX PRODUCT WITHOUT PEGS



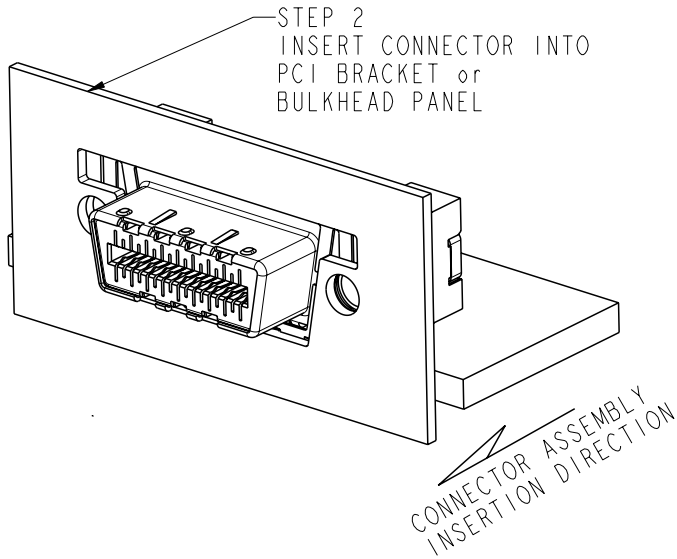
10009629-1XX1XX PRODUCT WITH PEGS

www.fciconnect.com		surface 3.2 ASME Y14.5	tolerance std ASME Y14.5	projection ASME Y14.5	MM
TOLERANCES UNLESS OTHERWISE SPECIFIED					
Dr	G. PETERS	2003/08/13	ANGULAR	0.X ±.3	size A4
Eng	D. BRANN	2003/08/13	LINEAR	0.XX ±.10	Scale 3:1
Chr	RAMESH P K	2008/03/27	0° ±2°	0.XXX ±.050	ECN 108-0048
Appr	RAMESH P K	2008/03/27	Product family	EyeMax (tm)	Spec ref -
		title 4X R/A THUMBSCREW RECPT ASSEMBLY, w/ 7 KEY SLOTS		diag no 10009629	
catalog no -		CUSTOMER -		sheet 4 of 9 -	
Rev. K					

REV F - 2008-04-17

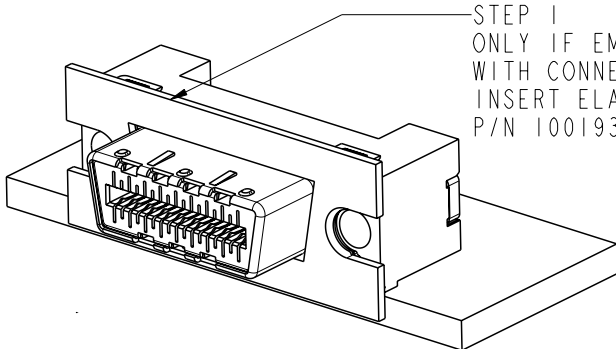


STEP 3
INSTALL THREADED STANDOFFS
P/N 10009634-001, NOT SUPPLIED
WITH CONNECTOR ASSEMBLY
SEE NOTE, SHEET 8, FOR TORQUE
SPECIFICATION.



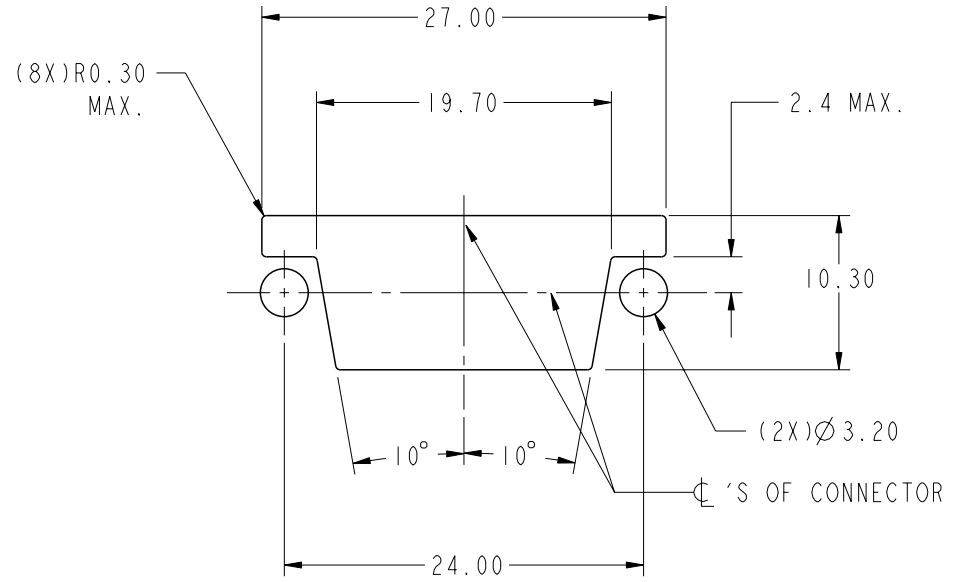
STEP 2
INSERT CONNECTOR INTO
PCI BRACKET or
BULKHEAD PANEL

CONNECTOR ASSEMBLY
INSERTION DIRECTION



STEP 1
ONLY IF EMI GASKET NOT SUPPLIED
WITH CONNECTOR ASSEMBLY.
INSERT ELASTOMERIC EMI GASKET,
P/N 10019396-001.

CONNECTOR APPLICATION TO PCI BRACKET/PANEL



RECOMMENDED PANEL CUTOUT

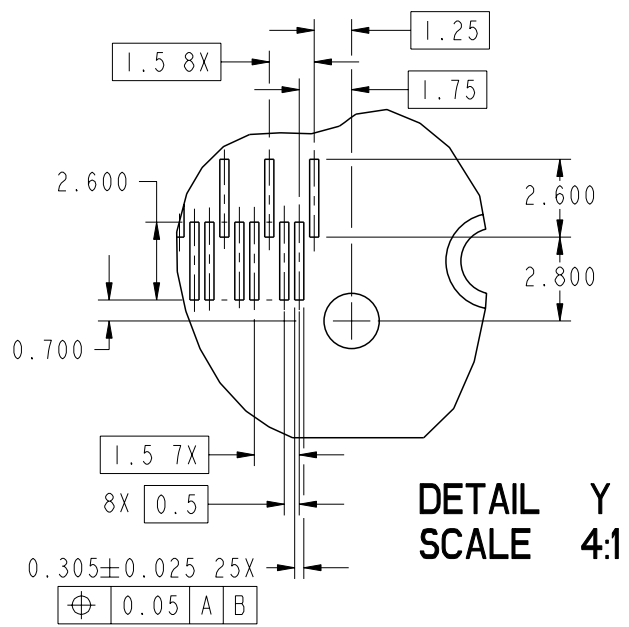
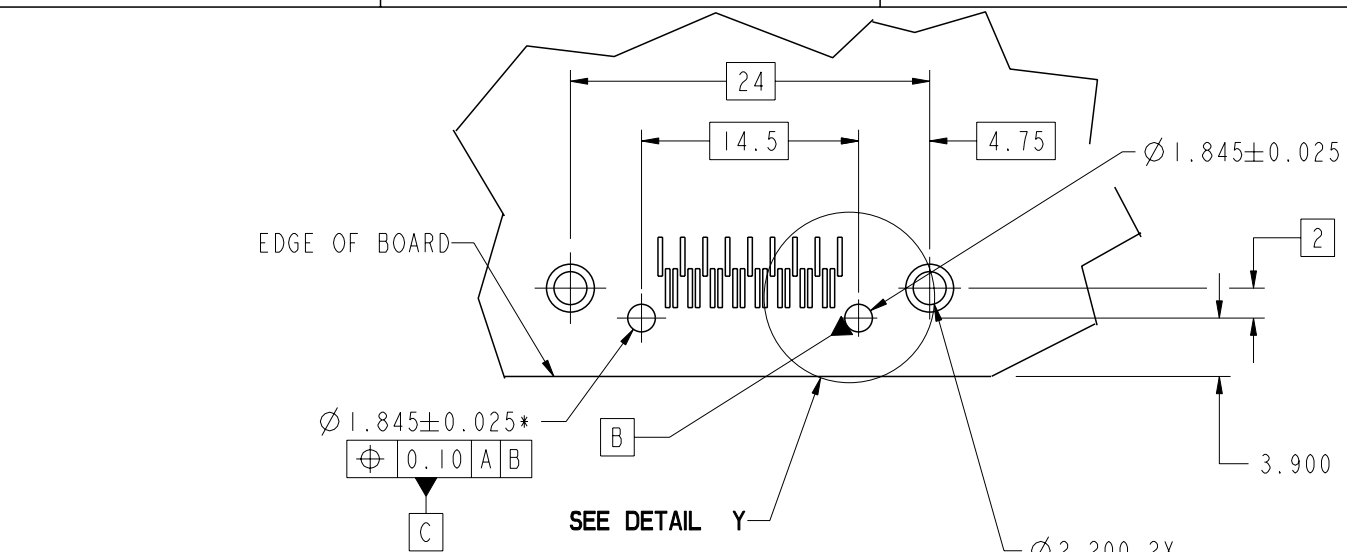


Copyright FCI.

www.fciconnect.com		surface 3.2 ASME Y14.5 ✓		tolerance std ASME Y14.5 -		projection ⊕		MM ↔	
		TOLERANCES UNLESS OTHERWISE SPECIFIED				size A4		Scale 1:1	
Dr	G. PETERS	2003/08/13	ANGULAR	0.X	±.30				
Eng	D. BRANN	2003/08/13	LINEAR	0.XX	±.10				
Chr	RAMESH P K	2008/03/27	0° ±2°	0.XXX	±.050	ECN		108-0048	
Appr	RAMESH P K	2008/03/27	Product family EyeMax (tm)			Spec ref		-	
FCI		title 4X R/A THUMBSCREW RECPT ASSEMBLY, w/ 7 KEY SLOTS			drg no 10009629		Rev. K		
catalog no		-		CUSTOMER		sheet 5 of 9			



Copyright FCI.



DETAIL Y
SCALE 4:1

DATUM A IS SURFACE OF PCB

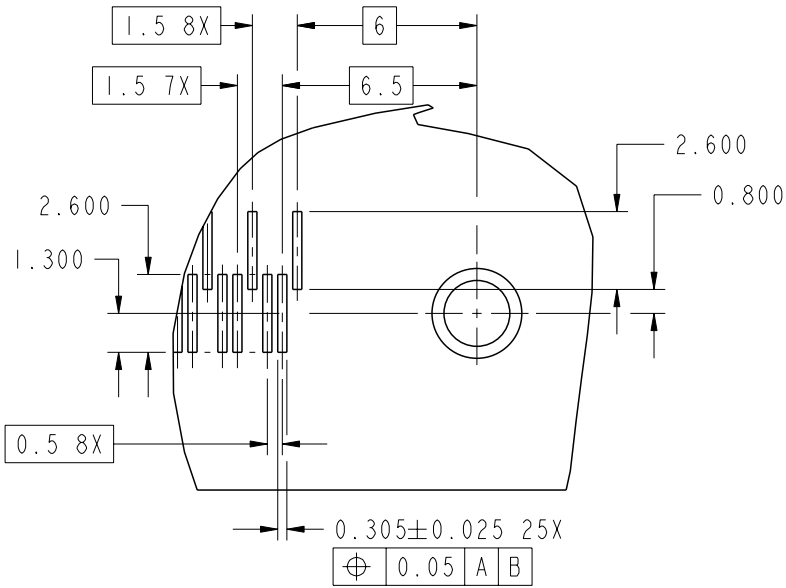
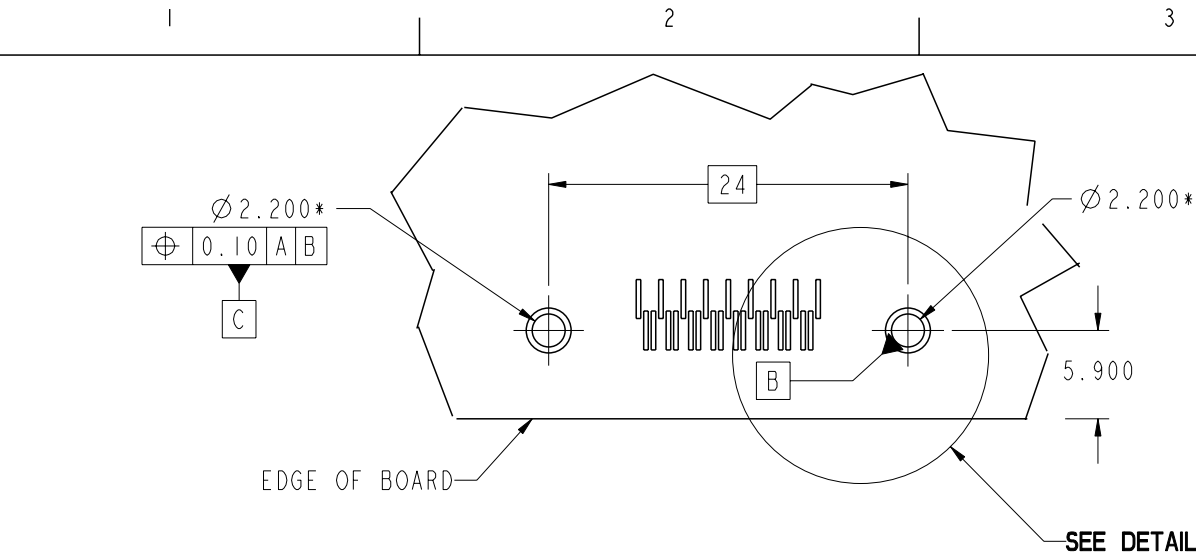
RECOMMENDED PCB LAYOUT, COMPONENT SIDE FOR USE WITH CRUSH/DIAMOND PEGS (10009629-1XX1XX) SEE NEXT PAGE FOR RECOMMENDED PCB LAYOUT FOR RECEPTACLE ASSEMBLIES WITHOUT CRUSH/DIAMOND PEGS.
 *RECEPTACLE CAN ALSO BE PLACED WITH 1.82±0.05/-0.0 BY 2.6±0.05 SLOT AT THIS LOCATION ON THE PCB

www.fciconnect.com		surface 3.2 ASME Y14.5 ✓	tolerance std ASME Y14.5 -	projection ⊕	MM
		TOLERANCES UNLESS OTHERWISE SPECIFIED		↔	
Dr	G. PETERS	2003/08/13	ANGULAR	0.X ±.30	size A4
Eng	D. BRANN	2003/08/13	LINEAR	0.XX ±.10	Scale 1:1
Chr	RAMESH P K	2008/03/27	0° ±2°	0.XXX ±.050	ECN 108-0048
Appr	RAMESH P K	2008/03/27	Product family EyeMax (tm)		Spec ref -
FCI		title 4X R/A THUMBSCREW RECPT ASSEMBLY, w/ 7 KEY SLOTS		chg no 10009629	Rev. K
		catalog no -	CUSTOMER		sheet 6 of 9

REV F - 2008-04-17



Copyright FCI.



DETAIL X
SCALE 4:1

DATUM A IS SURFACE OF PCB

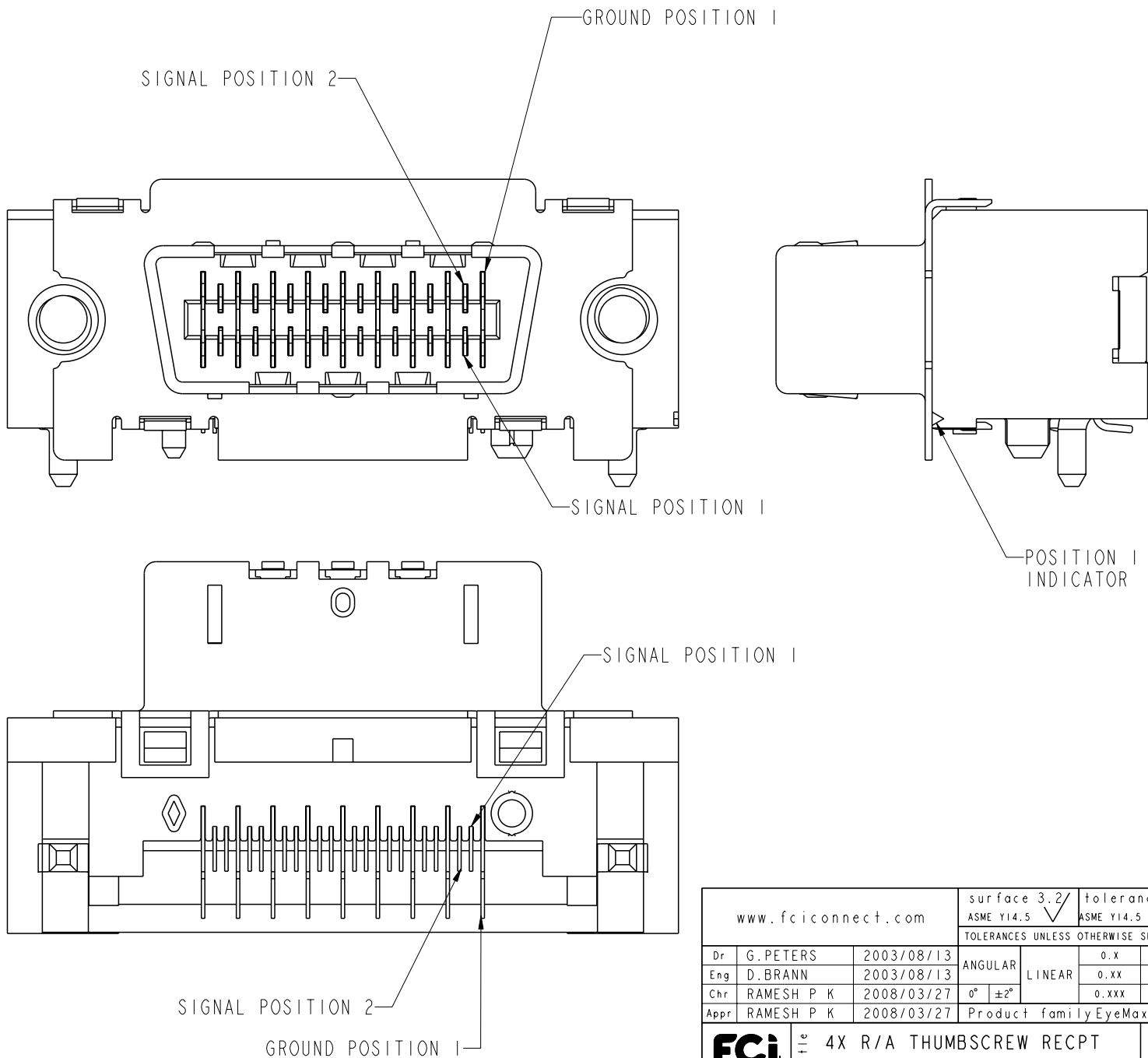
RECOMMENDED PCB LAYOUT, COMPONENT SIDE FOR USE WITHOUT CRUSH/DIAMOND PEGS (10009629-1XX0XX)
 SEE PREVIOUS PAGE FOR RECOMMENDED PCB LAYOUT FOR RECEPTACLE ASSEMBLIES WITH CRUSH/DIAMOND PEGS.
 *PLATED THROUGH HOLES

www.fciconnect.com		surface 3.2 ASME Y14.5 ✓	tolerance std ASME Y14.5 -	projection ⊕	MM
		TOLERANCES UNLESS OTHERWISE SPECIFIED		↔	
Dr	G. PETERS	2003/08/13	ANGULAR	0.X ±.30	size A4
Eng	D. BRANN	2003/08/13	LINEAR	0.XX ±.10	Scale 1:1
Chr	RAMESH P K	2008/03/27	0° ±2°	0.XXX ±.050	ECN 108-0048
Appr	RAMESH P K	2008/03/27	Product family EyeMax (tm)		Spec ref -
FCI		title 4X R/A THUMBSCREW RECPT ASSEMBLY, w/ 7 KEY SLOTS		drawing no 10009629	
		catalog no -		CUSTOMER sheet 7 of 9	

REV F - 2008-04-17



Copyright FCI.



www.fciconnect.com		surface 3.2 ASME Y14.5 ✓		tolerance std ASME Y14.5 -		projection ⊕		MM ↔	
		TOLERANCES UNLESS OTHERWISE SPECIFIED				size A4		Scale 1:1	
Dr	G. PETERS	2003/08/13	ANGULAR	LINEAR	0.x	±.30	ECN	108-0048	-
Eng	D. BRANN	2003/08/13			0.xx	±.10			
Chr	RAMESH P K	2008/03/27	0° ±2°	0.xxx	±.050				
Appr	RAMESH P K	2008/03/27	Product family EyeMax (tm)		Spec ref		-		
FCI		title 4X R/A THUMBSCREW RECPT ASSEMBLY, w/ 7 KEY SLOTS			drg no 10009629		Rev. K		-
catalog no		-		CUSTOMER		sheet 8 of 9			

REV F - 2008-04-17

PRODUCT NUMBER

10009629-1XXXXX

10009629-1XXXXXXYY

SOLDERTAIL PLATING
BLANK-TIN-LEAD
LF-LEAD FREE (SEE NOTE 2)

KEYING OPTIONS
0-NONE

PACKAGING
1-TAPE & REEL
2-TRAY
3-TAPE & REEL WITH THREADED STAND-OFFS INCLUDED
(PACKAGED SEPERATELY). 2 PER CONNECTOR.
4-TRAY WITH THREADED STAND-OFFS INCLUDED
(PACKAGED SEPERATELY). 2 PER CONNECTOR.

PEGS
0-NONE
1-CRUSH/DIAMOND PEGS

PCB THICKNESS
1-1.6mm
2-2.4mm
3-4.0mm

EMI GASKET
0-WITH FOAM GASKET
1-WITHOUT GASKET
2-WITH METAL GASKET (NOT TOOLED)

PLATING
GOLD OVER NICKEL IN CONTACT AREA

CONNECTOR NOTES:

- ①. HOUSING MATERIAL: UL94 V-O LCP RESIN.
SIGNAL PIN MATERIAL: COPPER ALLOY.
GROUND CONTACT MATERIAL: COPPER ALLOY.
- ②. PLATING: LEAD FREE SOLDER TAILS 2μm (80μin) MIN MATTE TIN
OVER 1.27μm (50μin) MIN NICKEL UNDERPLATE.
- ③. P/N AND DATE CODE TO APPEAR
ON THIS SURFACE.
4. PRODUCT SPECIFICATION GS-12-209.
APPLICATION SPECIFICATION GS-20-025.
5. CONNECTOR WEIGHT = 5.465 grams
6. PACKAGING SPECIFICATION GS-14-794. PACKAGING OF LEAD FREE
PRODUCTS MEETS LABELING AND PACKAGING SPECIFICATION GS-14-920.
7. MAXIMUM PANEL THICKNESS 1.70mm
- ⑧. MAXIMUM TORQUE 0.45 N-m (4.0 lbf-in)

PCB NOTES:

9. ALL DIMENSIONS ARE BASIC UNLESS OTHERWISE
SPECIFIED.
10. ALL HOLE DIAMETERS ARE FINISHED HOLE SIZE
11. MATES WITH EYEMAX® PLUG 58443 (WITHOUT PCB), 58638
(WITH UNEQUALIZED PCB) OR 10026692 (WITH EQUALIZED PCB).
12. LEAD FREE PRODUCTS MEET EUROPEAN UNION DIRECTIVES AND
OTHER COUNTRY REGULATIONS AS DESCRIBED IN GS-22-008.
13. THE HOUSING WILL WITHSTAND EXPOSURE TO 260°C PEAK TEMPERATURE
FOR 15 SECONDS IN A CONVECTION, INFRARED OR VAPOR PHASE REFLOW
OVEN.



Copyright FCI.

PRODUCT NUMBER	BOARD THICKNESS	DIM A
10009629-1X1XXX	1.6mm	2.3mm
10009629-1X2XXX	2.4mm	3.1mm
10009629-1X3XXX	4.0mm	4.7mm

www.fciconnect.com		surface 3.2 ASME Y14.5 ✓	tolerance std ASME Y14.5 -	projection ⊕	MM ↔
		TOLERANCES UNLESS OTHERWISE SPECIFIED		size A4	Scale 1:1
Dr	G. PETERS	2003/08/13	ANGULAR	0.X ±.30	ECN 108-0048
Eng	D. BRANN	2003/08/13	LINEAR	0.XX ±.10	
Chr	RAMESH P K	2008/03/27	0° ±2°	0.XXX ±.050	
Appr	RAMESH P K	2008/03/27	Product family EyeMax (tm)		Spec ref -
FCI		title 4X R/A THUMBSCREW RECPT ASSEMBLY, w/ 7 KEY SLOTS		chg no 10009629	Rev. K
		catalog no	CUSTOMER		sheet 9 of 9