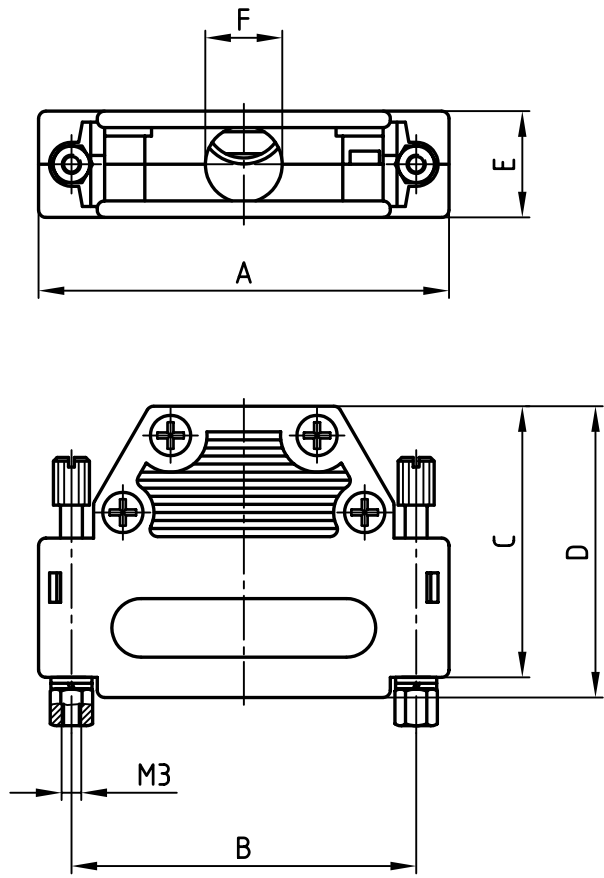


used for: D-SUB



No. of pos.	A	B	C	D	E	F	Part NO.
9	34.0	25.0	25.0	27.75	14.5	8.5	165X11059X
15	42.3	33.3	37.0	39.75	14.5	10.0	165X11069X
25	56.0	47.0	37.0	39.75	14.5	10.5	165X11079X
37	72.5	63.5	37.0	39.75	14.5	10.5	165X11089X

Directive 2002/95/EC
"RoHS"
Compliant

THIS DRAWING MAY NOT BE COPIED OR REPRODUCED IN ANY WAY, AND MAY NOT BE PASSED ON TO A THIRD PARTY WITHOUT WRITTEN PERMISSION.
OWNERSHIP AND COPYRIGHT OF CONEC GmbH
DO NOT ALTER CAD DRAWING BY HAND

			tolerance		scale: 1:1
			2001	date	name
			drawn	06.11.	Parei
			appd.	06.11.	Schrader
			norm		
			d-old		
rev.	description	date			

material: ABS UL 94 V-0 metallized	
title: PLASTIC HOOD 9-37pos. with straight cable exit and screw lock	
dwg no: AutoCAD 2000	DIN-A 4
sh: 1/1	
part no: SEE TABLE	