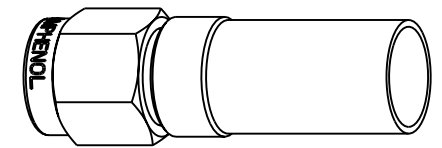


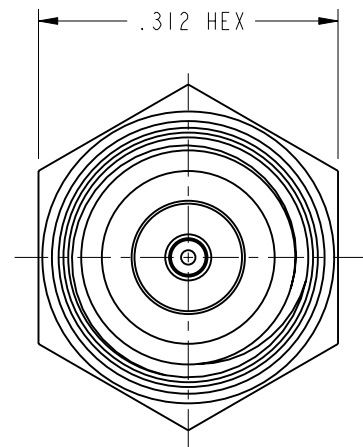
NOTES:

1. MATERIALS AND FINISHES:  
 CONTACT: BERYLLIUM COPPER, GOLD PLATED  
 FERRULE: ANNEALED COPPER, NICKEL PLATED  
 INSULATOR: PTFE  
 BODY & COUPLING NUT: STAINLESS STEEL, PASSIVATED  
 GASKET: SILICONE BUBBER
2. MECHANICAL SPECIFICATIONS:  
 MATING CYCLES: MINIMUM 500  
 COUPLING TORQUE: 7 INCH-POUNDS MIN., 17 INCH-POUNDS MAX.
3. ELECTRICAL SPECIFICATIONS:  
 IMPEDANCE: 50 OHMS  
 VOLTAGE RATING: 500 VOLTS RMS PEAK  
 VSWR: 1.15 +.01f (GHz), DC TO 12.4 GHz  
 INSERTION LOSS: .06√f(GHz), DC TO 12.4 GHz
4. CRIMP USING TOOL 227-994, CRIMP DIE 227-1221-59  
 CAVITY "A" (.255 HEX).

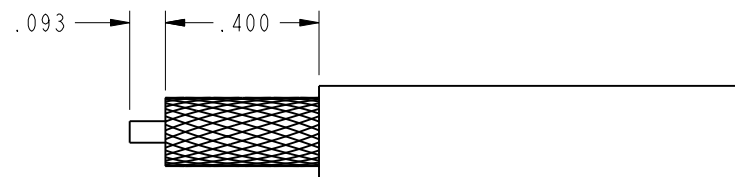
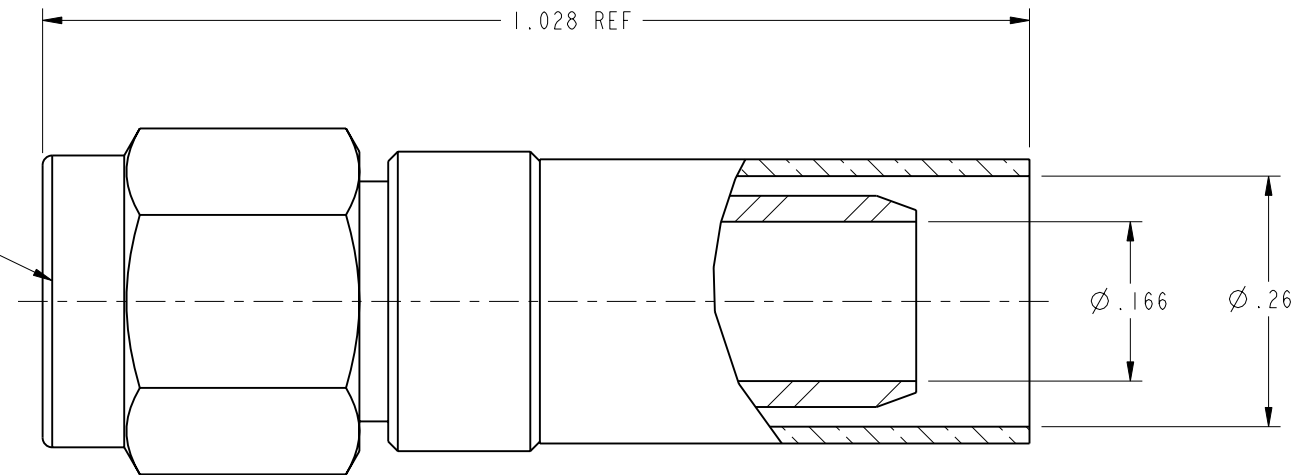
901-10011		REVISIONS			
DRAWING NO.	REV	DESCRIPTION	DATE	ECO	APPR
THIRD ANGLE PROJ.	A	OFFICIAL ENG. RELEASE TO MFG.	3/11/99	42852	PB/TA
	B	REVISE STRIPPING DIM. DELETE .525 DIM	6/4/99	43005	PB/PB
	C	DEL NOTE 3; ADD NOTES 2 & 4	6/4/99	43041	CPM/



SCALE 2.000



INTERFACE PER  
MIL-STD-348  
SMA SERIES



CABLE STRIPPING DIMENSIONS

CUSTOMER OUTLINE DRAWING  
ALL OTHER SHEETS ARE FOR INTERNAL USE ONLY

UNLESS OTHERWISE SPECIFIED, DIMENSIONS ARE IN INCHES AND TOLERANCES ARE: 2 PLACE DECIMAL ±.015 (0,381 mm) 3 PLACE DECIMAL ±.005 (0,127 mm) ANGLES ± 1°	MATERIAL	DRAWN P. BRENZEL	DATE 5-Mar-99	TITLE <b>SMA PLUG FOR          TWB 2401, LMR 240          CABLES</b>	<b>Amphenol</b> Amphenol Corporation Communication and Network Products Division Danbury, CT U.S.A. 06810
	REFERENCE EAR 102-966987 I 615X-1500-100 GEN # ASSYM10_SMA	ENGINEER P. BRENZEL	DATE 5-Mar-99		
NOTICE - These drawings, specifications, or other data (1) are, and remain the property of Amphenol Corp. (2) must be returned upon request; and (3) are confidential and not to be disclosed to any person other than those to whom they are given by Amphenol Corp. The furnishing of these drawings, specifications, or other data by Amphenol Corp., or to any other person to anyone for any purpose is not to be regarded by implication or otherwise in any manner licensing, granting rights or permitting such holder or any other person to manufacture, use or sell any product, process or design, patented or otherwise, that may in any way be related to or disclosed by said drawings, specifications, or other data.	CAD FILE I:\SMA\901-10011	CODE ID 74868	DWG SIZE B	DRAWING NO. 901-10011	REV C
			SCALE: 5.0:1	SHEET 1 OF 1	