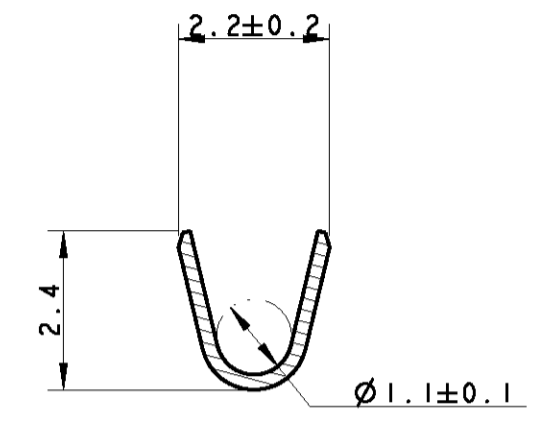
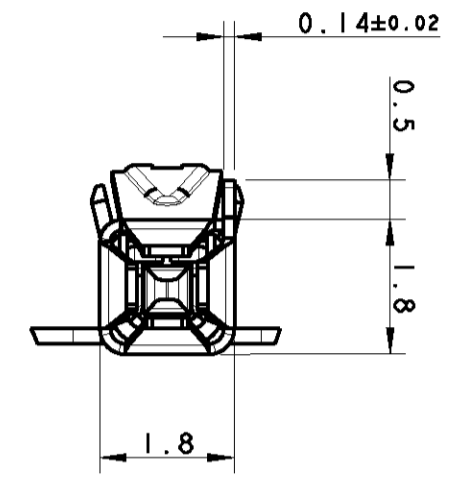
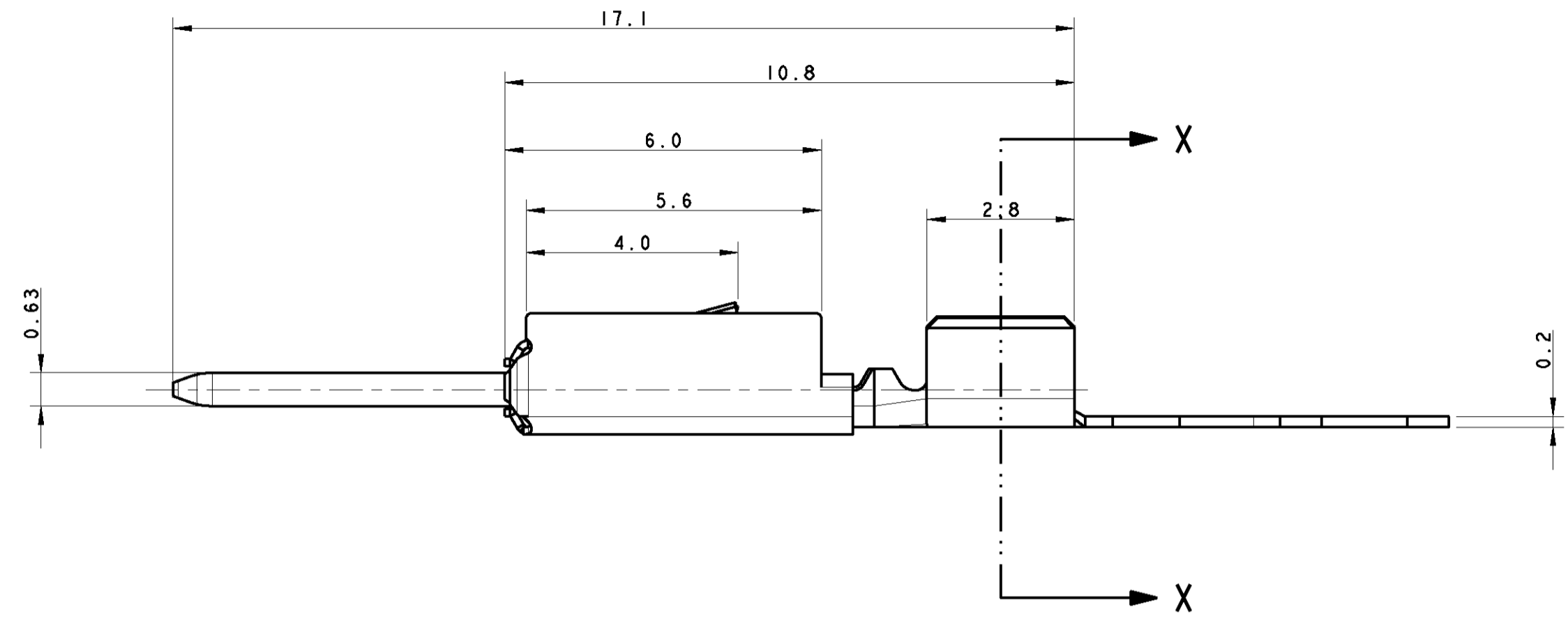
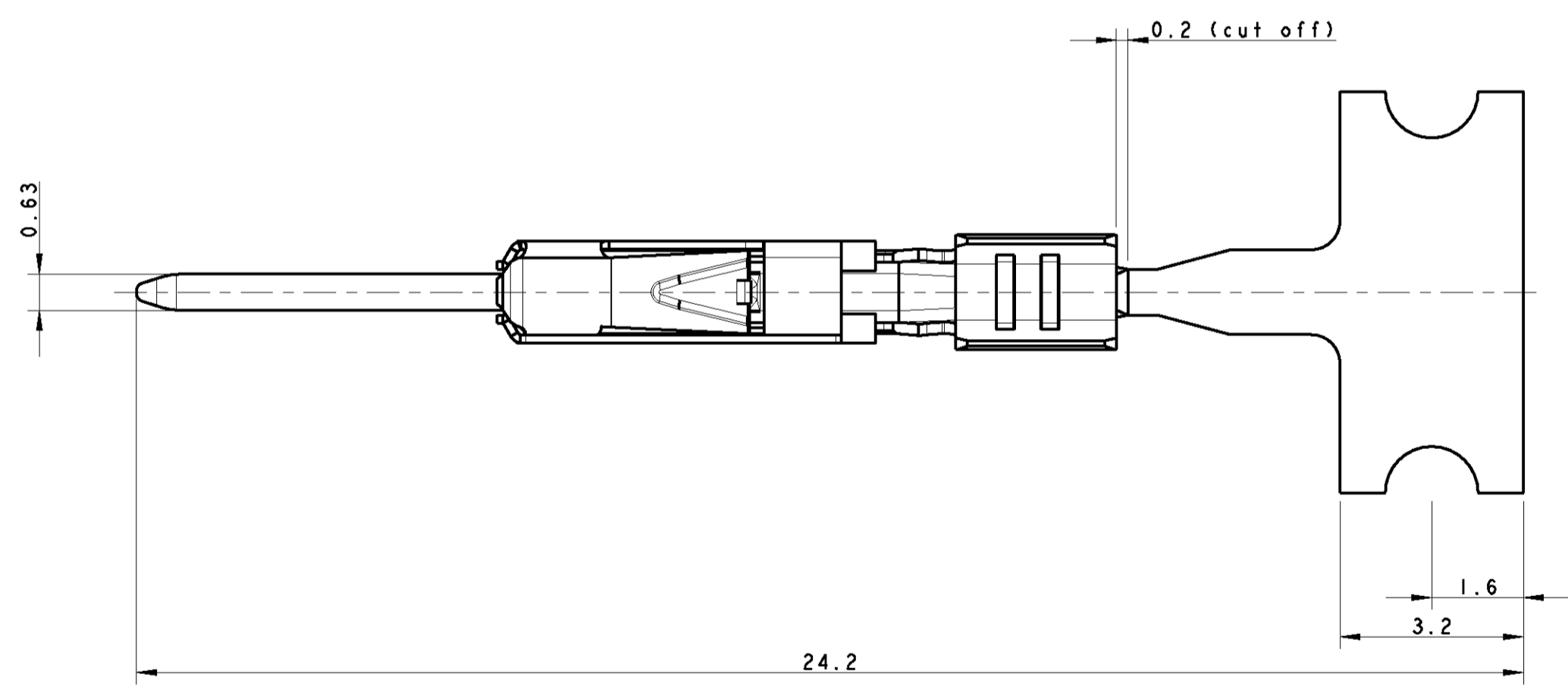


THIS DRAWING IS UNPUBLISHED. RELEASED FOR PUBLICATION 2009  
 © COPYRIGHT 2009 BY TYCO ELECTRONICS CORPORATION. ALL INTERNATIONAL RIGHTS RESERVED.

LOC		DIST		REVISIONS			
P	LTR	DESCRIPTION	DATE	DWN	APVD		
A		FIRST ISSUE	12FEB2009	AV	GT		

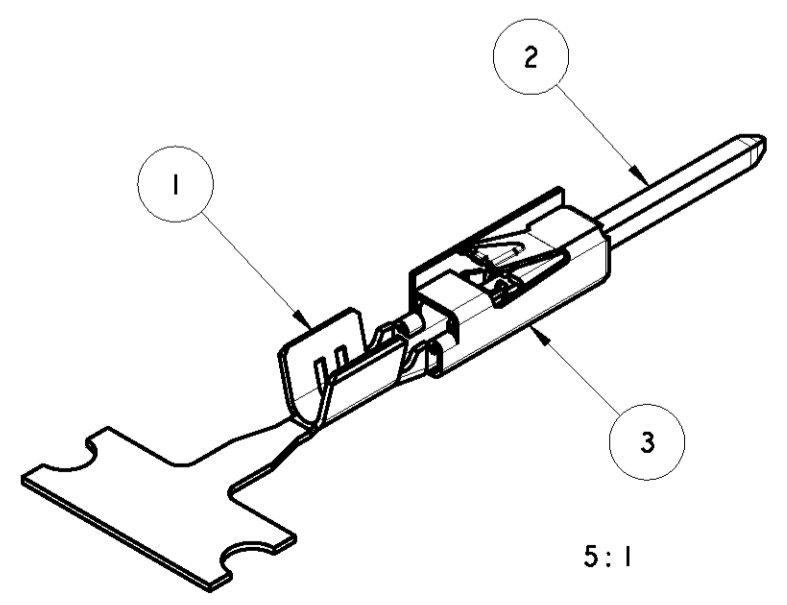


SECTION X-X



- NOTES:
- SUITABLE FOR SOCKET CONTACT 293390
  - CONTACT ACCEPTS WIRE SIZE 18 AWG
  - SEMI-AUTOMATIC TOOL AND HAND TOOL (EACH FOR 2 CRIMPS IN ONE CYCLE) TO BE DEVELOPED
  - STRIPPED CABLE LENGTH FOR CRIMP IS 3.5mm
  - WEIGHT ABOUT 0.12g
  - DIE FEED 7.0mm
  - REELED ON PAPER-REEL

PRELIMINARY PART- NOT RELEASED FOR PRODUCTION



8	NOT AVAILABLE	293389-1	A	WITH SPRING	3	SPRING	M	steel
					2	PIN	A	CuNi3Si, (PRE TIN)
					1	BODY	A	CuNiSi AMP SPEC.100-1230 OR 100-1086 TIN PLATED
DIRECTION OFF TOP OF REEL	LOOSE PIECE	PART NO	REV	DESCRIPTION	POS	DESCRIPTION	REV	MATERIAL
THIS DRAWING IS A CONTROLLED DOCUMENT FOR TYCO ELECTRONICS CORPORATION IT IS SUBJECT TO CHANGE AND THE CONTROLLING ENGINEERING ORGANIZATION SHOULD BE CONTACTED FOR THE LATEST REVISION DIMENSIONS: mm TOLERANCES UNLESS OTHERWISE SPECIFIED: 0 PLC ± 1 PLC ±0.2 2 PLC ±0.15 3 PLC ± 4 PLC ± ANGLES ±° FINISH MATERIAL SEE TABLE					DWN 12FEB2009 CHK A. Vecchia G. Turco APVD 12FEB2009 G. Turco PRODUCT SPEC APPLICATION SPEC WEIGHT 0.12g		Tyco Electronics Tyco Electronics AMP Italia S.r.l. 10093 Collegno TO MICRO QUADLOK SYSTEM PIN CONTACT	
DIRECTION OFF TOP OF REE Fertig-zustand 8 107-3(Fig.1)					SIZE A200779 CAGE CODE G-293389 CUSTOMER DRAWING		SCALE 10:1 SHEET 1 OF 1 REV A	