

4

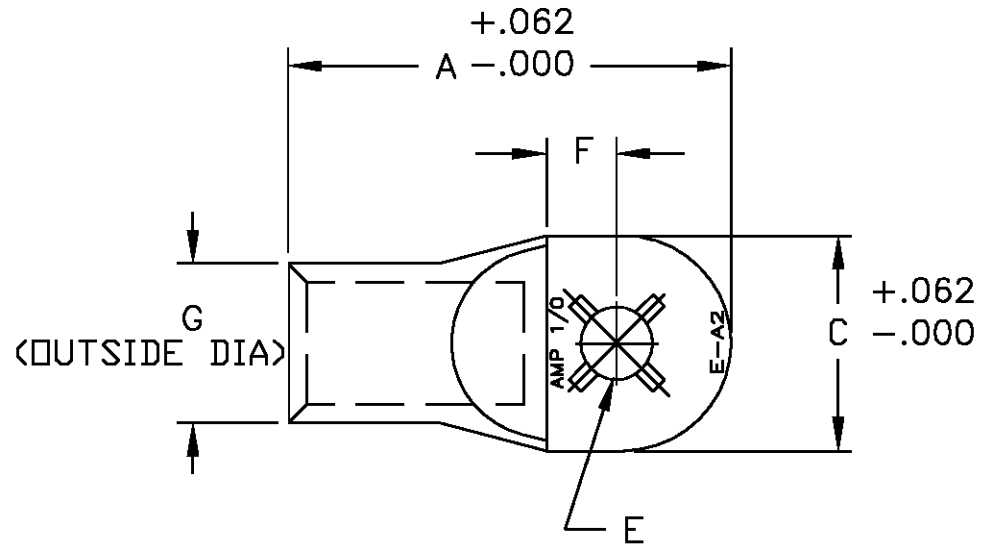
3

2

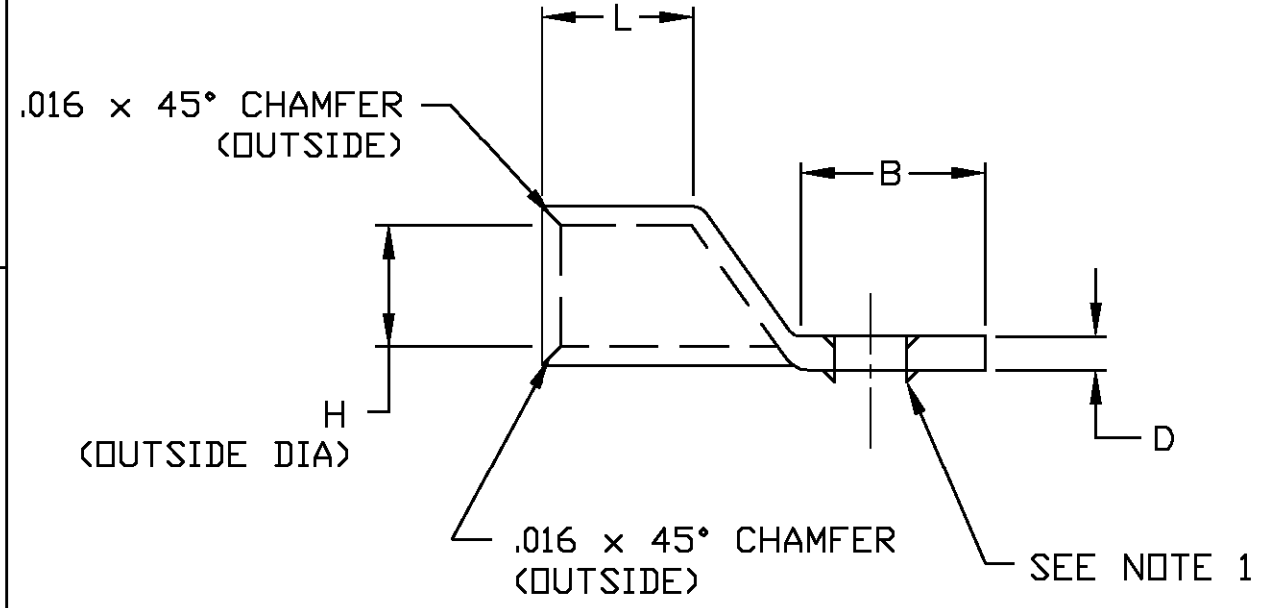
1

THIS DRAWING IS UNPUBLISHED. RELEASED FOR PUBLICATION .19  
 © COPYRIGHT 19 BY AMP INCORPORATED. ALL RIGHTS RESERVED.

LOC	DIST	REVISIONS					
AA	27	P	LTR	DESCRIPTION	DATE	DWN	APVD
			B	REDWN & REV; OG1Z-0042-99	12MAY00	LMH	LHS



1. LOCKING LANCE FOR P/N -2 AND -7 ONLY.



.250	.750	.469	.609	.438	Ø.266	.141	.86	.938	2.125	606716-7
.250	.750	.469	.609	.438	Ø.266	.141	.86	.938	2.125	606716-6
.375	.750	.469	.609	.438	Ø.391	.141	.86	.938	2.125	606716-5
.500	.750	.469	.609	.500	Ø.516	.141	.86	.938	2.125	606716-4
.438	.750	.469	.609	.438	Ø.453	.141	.86	.938	2.125	606716-3
.375	.750	.469	.609	.438	Ø.391	.141	.86	.938	2.125	606716-2
.312	.750	.469	.609	.438	Ø.328	.141	.86	.938	2.125	606716-1
BOLT HOLE SIZE	L	H	G	F	E	D	C	B	A	PART NUMBER

THIS DRAWING IS A CONTROLLED DOCUMENT.

DIMENSIONS: INCHES	TOLERANCES UNLESS OTHERWISE SPECIFIED:	DWN L. HALL 18APR00	AMP Incorporated Harrisburg PA 17105-3608
	0 PLC ± 1 PLC ± 2 PLC ± .02 3 PLC ± .005 4 PLC ± .0005 ANGLES ± 3'	CHK L.H. SMITH 12MAY00	
		APVD B. ANTHONY 12MAY00	
		PRODUCT SPEC	
MATERIAL HIGH CONDUCTIVITY WROUGHT COPPER	FINISH ELECTRO TIN PLATE	APPLICATION SPEC	NAME AMP TUBULAR TERMINAL 1/0 (ROUND TONGUE)
		WEIGHT -	SIZE A3 CAGE CODE 00779 DRAWING NO C-606716 RESTRICTED TO
		CUSTOMER DRAWING	SCALE NTS SHEET 1 OF 1 REV B