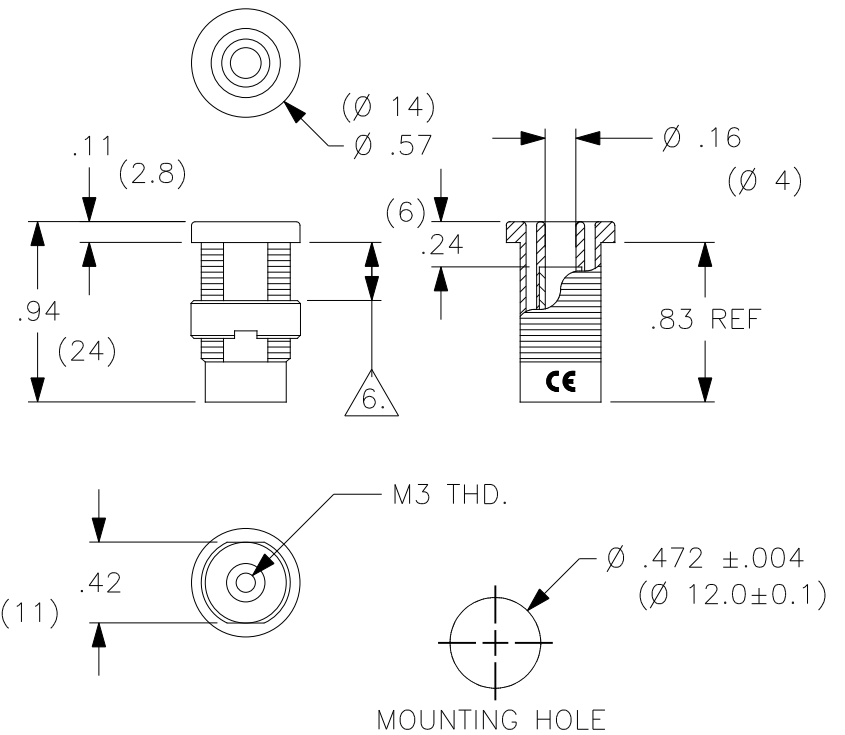


THIS IS ISSUED IN STRICT CONFIDENCE THAT IT IS NOT USED AS A BASIS FOR MANUFACTURE OR SALE AND THAT IT IS NOT COPIED, REPRINTED OR DISCLOSED TO A THIRD PARTY EITHER WHOLLY OR IN PART WITHOUT THE PRIOR WRITTEN CONSENT OF CAL TEST ELECTRONICS, INC.

1. 4mm SAFETY BANANA JACK w/M3 THREADED HOLE.
2. SPECIFICATIONS:
INSULATOR: POLYAMIDE (NYLON).
CONTACT: BRASS, NICKEL PLATED
LOCKING NUT: BRASS, NICKEL PLATED
3. RATING:
VOLTAGE: 1,000 V CAT III/600 V CAT IV P2 (IEC61010-031)

CURRENT: 36 A MAX.
RESISTANCE: <12 mΩ.
TEMPERATURE: -20° C TO +80° C.
4. MOUNTING HOLE: REF. DIAGRAM.
5. INSULATOR THREAD, M12x0.75, MAX. TORQUE 1.7 ft-lb (2.3 Nm) AT 20° C.
6. MAXIMUM PANEL THICKNESS: .40 (10).
7. RECOMMENDED ASSEMBLY TOOL: CT2246A.

REVISIONS			
REV.	DESCRIPTIONS	DATE	APPROVED
—	CLASS A RELEASED	7/12/99	
A	ADDED CAGE CODE	6/10/05	
B	COLOR ORANGE ADDED AS SPECIAL; REVISED NOTE 5 WITH NUT TORQUE SPECIFICATION.	6/2/09	



PART NUMBER

CT2908-#

- COLOR:
- 0 — BLACK
 - 1 — BROWN
 - 2 — RED
 - 3 — ORANGE (SPECIAL)
 - 4 — YELLOW
 - 5 — GREEN
 - 6 — BLUE
 - 7 — PURPLE
 - 8 — GRAY
 - 9 — WHITE

CONFORMITY TO RoHS 2002/95/EC

THIRD ANGLE PROJECTION		UNLESS OTHERWISE SPECIFIED DIMENSIONS ARE IN INCHES TOLERANCES ARE: FRACTIONS DECIMALS ± 1/32 .XX ± .02 .XXX ± .005 DO NOT SCALE DRAWING	CONTRACT NO.		Cal Test Electronics 22820 Savi Ranch Parkway Yorba Linda, CA 92887-4610			
			APPROVALS	DATE	TITLE			
NEXT ASSY		MATERIAL	DRAWN	43F45	4mm SAFETY JACK, PANEL w/M3 THREADED HOLE			
USED ON		FINISH	CHECKED	7/12/99	SIZE	CAGE CODE	DWG. NO.	REV.
APPLICATION			ENGR.		A	43F45	P290800	B
			DESIGN ACTIVITY		SCALE	1:1	SHEET	1 OF 1