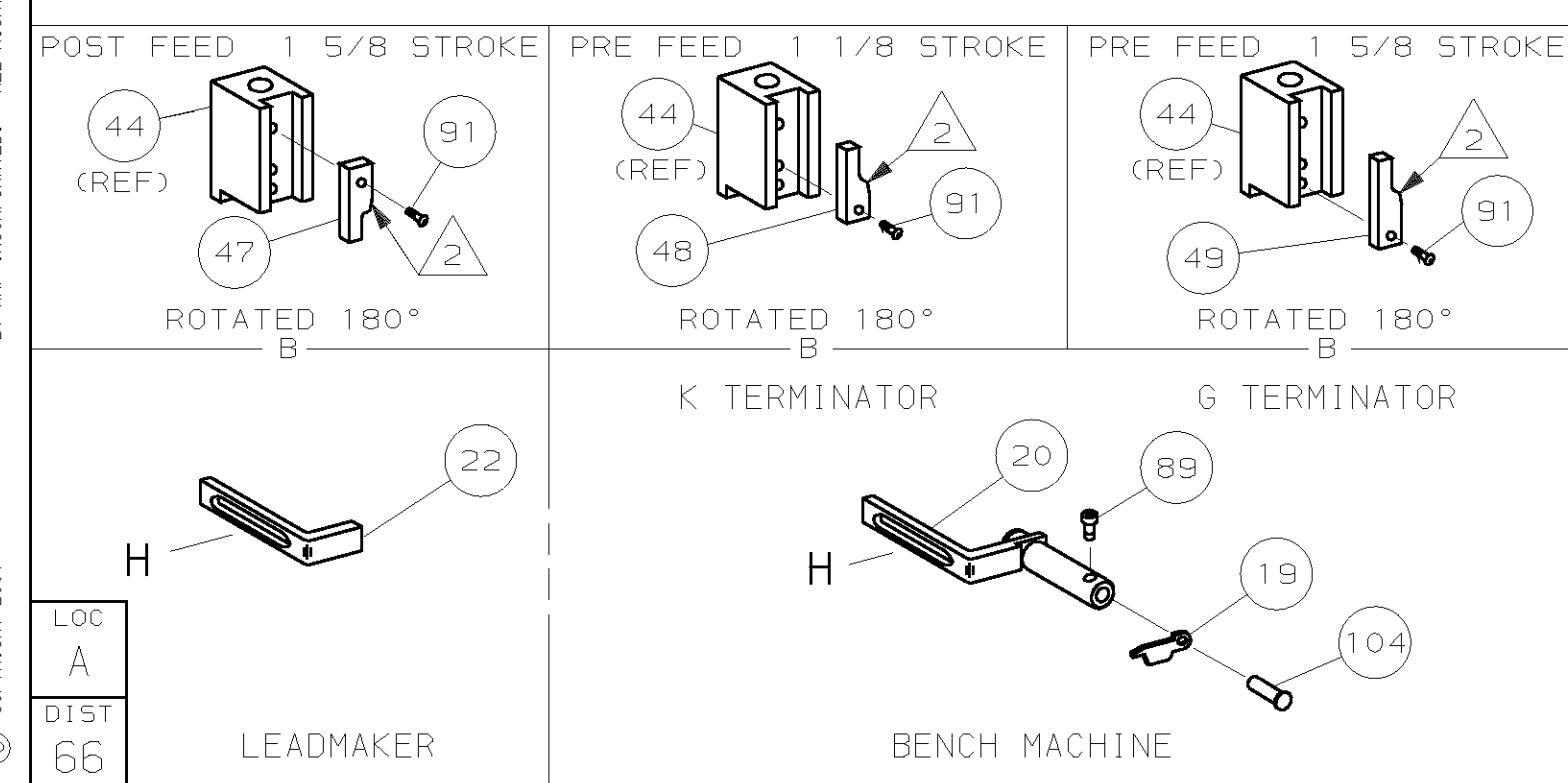
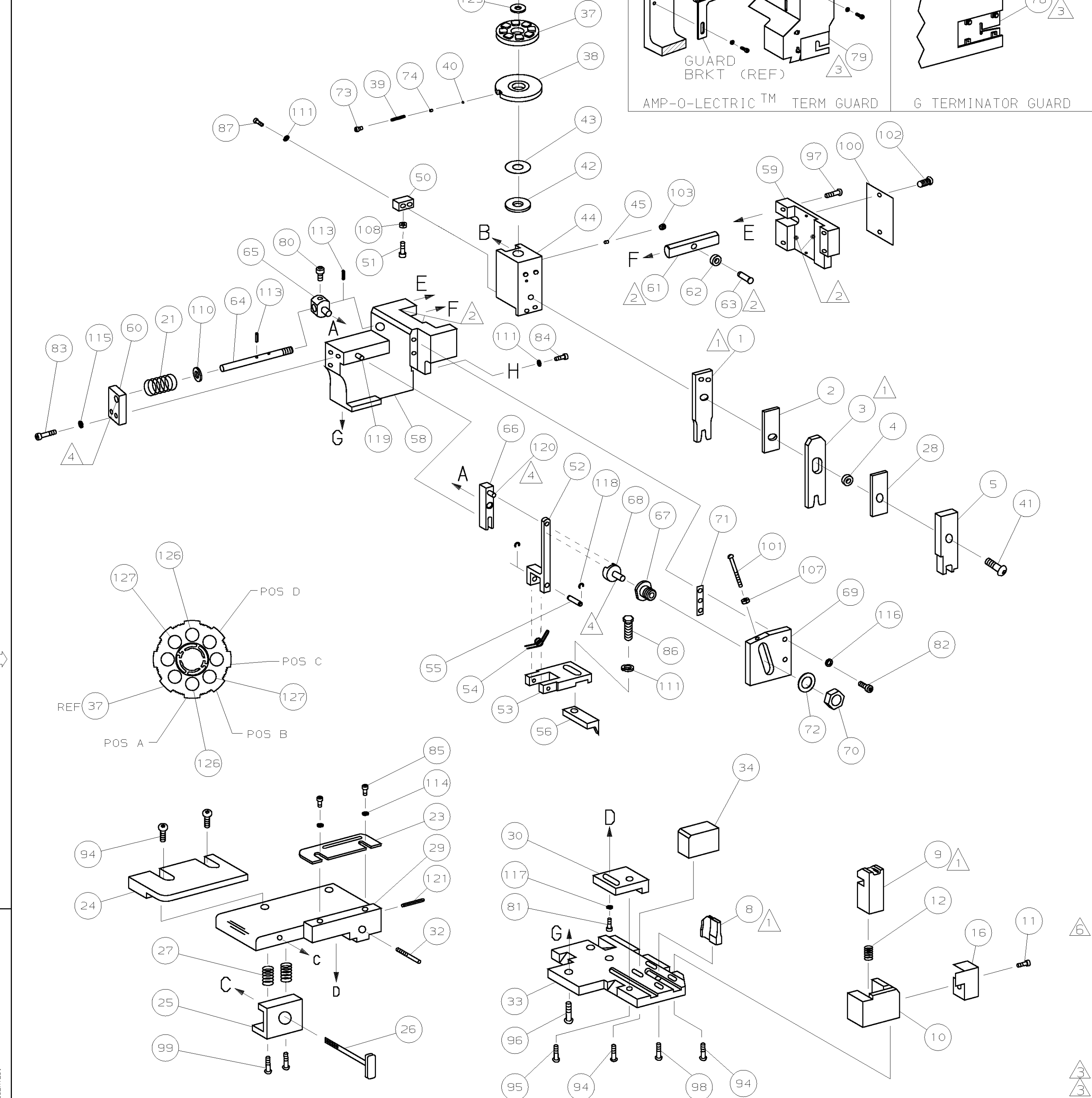


PART NUMBER	REV	FIRST USED
1385249-1	B	122500-1
1385249-2	B	565435-5
1385249-3	B	354500-1



- 1 RECOMMENDED SPARE PARTS.
- 2 GREASE LIGHTLY.
- 3 GUARD MUST BE IN PLACE WHEN OPERATING APPLICATOR IN A BENCH MACHINE.
- 4 LUBRICATE DAILY USING NO. 20 MACHINE OIL.
- 5. ITEMS WITH QTY OF REF SPECIFIED (EXCEPT ITEMS 78 AND 79) ARE USED ON ITEM 46.
- 6 CUT TO LENGTH AT ASSY

3-1438230-4			
AMP TERMINAL			
PAD LTR	CRIMP HEIGHT	WIRE SIZE	
A	.059 ±.002 [1.50 ±0.05mm]	18	
B	.055 ±.002 [1.40 ±0.05mm]	20	
C	NOT	USED	
D	NOT	USED	
CRIMP	SIZE	TYPE	RANGE
WIRE	.080 [2.03mm]	F	20-18
INSUL	.090 [2.29mm]	0	.090MAX

QTY	REF	REF	REF	REF	U/M	DWG SIZE	PART NO	DESCRIPTION	ITEM NO
129									129
128									128
2	2	2	-	C			1-354779-7	PIN, WIRE DISC (.3075)B	127
2	2	2	-	C			1-354779-0	PIN, WIRE DISC (.3040)A	126
1	1	1	-	A			986950-1	WASHER, FLAT PRECISION	125
1	1	1	-	A			217238-1	GENERAL INSTRUCTION PACKAGE	124
1	1	1	-	-			4088040	SF APPL INST 408-8040	123
									122
1	1	1	-	A			4-21028-0	PIN, SLT SPR (ø.093x.75)ST GDE PL	121
REF	REF	REF	-	A			1-21030-1	PIN, DOWEL (ø.187x.50)LEVER	120
REF	REF	REF	-	A			1-21030-6	PIN, DOWEL (ø.187x1.25)HOUSING	119
REF	REF	REF	-	A			21045-3	RING, RET "C" (ø.187)FD FING PIN	118
1	1	1	-	A			21024-5	WASHER, LOCK (#10)ADJ BLOCK	117
REF	REF	REF	-	A			21024-5	WASHER, LOCK (#10)ADJ PLATE	116
REF	REF	REF	-	A			21024-5	WASHER, LOCK (#10)FEED GDE ROD	115
2	2	2	-	A			21024-2	WASHER, LOCK (#4)FRONT STP GUIDE	114
REF	REF	REF	-	A			5-21028-1	PIN, SLT SPR (ø.125x.50)ADJ ROD	113
									112
4	4	4	-	A			21024-4	WASHER, LOCK (#8) STRIPPER	111
REF	REF	REF	-	A			21899-4	WASHER, FLAT (ø5/16) SCREW ADJ	110
									109
1	1	1	-	A			21018-5	NUT, HEX (NO. 6) HOLDDOWN	108
REF	REF	REF	-	A			21068-5	NUT, HEX (6-32)FEED ADJ	107
									106
									105
1	1	-	-	A			992031-1	PIN, CLEVIS	104
1	1	1	-	A			21009-2	SCR, SKT 5ET (1/4-20x.25 LW)RAM	103
2	2	2	-	A			21017-2	SCR, DRIVE (#2x.19) ID PLATE	102
REF	REF	REF	-	A			6-23715-5	SCR, PAN HD (6-32x1.50)FEED ADJ	101
1	1	1	-	B			461264-1	PLATE, IDENTIFICATION	100
2	2	2	-	A			3-21002-0	SCR, BHC (10-32x.88)DRAG	99
1	1	1	-	A			22733-8	SCR, BHC (8-32x.38 LW)ANVIL	98
REF	REF	REF	-	A			2-21002-9	SCR, BHC (10-32x.75)CAP	97
REF	REF	REF	-	A			2-22733-8	SCR, BHC (1/4-20x.62)HOUSING	96
REF	REF	REF	-	A			2-21002-7	SCR, BHC (10-32x.50)56 ADJ BLOCK	95
6	6	6	-	A			2-21002-2	SCR, BHC (8-32x.50) TERM H DWN	94
									93
									92
									91
1	1	1	-	A			1-21002-7	SCR, BHC (6-32x.38)CAM	90
									89
									88
2	2	2	-	A			2-21000-7	SCR, SHC (8-32x.48)DEP-HOLD	87
1	1	1	-	A			2-22603-0	SCR, HEX HD (8-32x.31)FEED FINGER	86
2	2	2	-	A			1-21000-3	SCR, SHC (4-40x.25)F ST GUIDE	85
1	1	1	-	A			2-21000-7	SCR, SHC (8-32x.50)STRIPPER	84
REF	REF	REF	-	A			3-21000-7	SCR, SHC (10-32x.75)FEED ROD GD	83
REF	REF	REF	-	A			3-21000-6	SCR, SHC (10-32x.62)FD ADJ BLK	82
1	1	1	-	A			3-21000-4	SCR, SHC (10-32x.38)56 ADJ BL	81
REF	REF	REF	-	A			3-21000-4	SCR, SHC (10-32x.38)PIVOT BLK	80
-	REF	-	-	B			455749-1	GUARD, WINDOW	79
REF	-	-	-	B			679532-1	INSERT, GUARD	78
									77
									76
									75
1	1	1	-	A			690603-1	SPRING, ASSIST	74
1	1	1	-	A			23030-1	SCR, SHC (6-32x.25 SL)INS DISC	73
REF	REF	REF	-	A			458109-1	WASHER, SPECIAL	72
REF	REF	REF	-	A			690517-1	SPACER	71
									70
									69
									68
									67
									66
									65
									64
									63
									62
									61
									60
									59
									58
									57
									56
									55
									54
									53
									52
									51
									50
									49
									48
									47
									46
									45
									44
									43
									42
									41
									40
									39
									38
									37
									36
									35
									34
									33
									32
									31
									30
									29
									28
									27
									26
									25
									24
									23
									22
									21
									20
									19
									18
									17
									16
									15
									14
									13
									12
									11
									10
									9
									8
									7
									6
									5
									4
									3
									2
									1

QTY	REF	REF	REF	REF	U/M	DWG SIZE	PART NO	DESCRIPTION	ITEM NO
-1									
-2									
-3									
REF	REF	REF	-	B			22594-8	NUT, HEX (1/2-20)	70
REF	REF	REF	-	B			240628-1	PLATE, ADJUSTMENT	69
REF	REF	REF	-	B			240626-1	SHAFT, PIVOT	68
REF	REF	REF	-	B			240633-1	BUSHING	67
REF	REF	REF	-	A			455680-1	LEVER, INTERMEDIATE	66
REF	REF	REF	-	B			240629-1	BLOCK, PIVOT	65
REF	REF	REF	-	A			240632-2	SCREW, ADJ FEED ROD	64
REF	REF	REF	-	B			240659-3	PIN, CAM ROLLER	63
REF	REF	REF	-	B			240658-1	ROLLER, CAM	62
REF	REF	REF	-	B			454398-2	ROD, FEED	61
REF	REF	REF	-	A			454178-1	GUIDE, FEED ROD	60
REF	REF	REF	-	C			454220-1	CAP, RAM	59
REF	REF	REF	-	D			454485-1	HOUSING	58
									57
									56
1	1	1	-	B			458537-2	PAWL, FEED	55
REF	REF	REF	-	B			240624-1	PIN, FEED FINGER	54
REF	REF	REF	-	B			691499-1	SPRING, FEED FINGER	53
REF	REF	REF	-	B			690541-1	HOLDER, FEED FINGER	52
REF	REF	REF	-	A			455679-2	LEVER, TERMINAL FEED ARM	51
1	1	1	-	A			811242-2	BUMPER, HOLDDOWN	50
1	1	1	-	A			690753-1	SPACER, TONKER	49
1	-	-	-	B			690602-6	CAM, PRE-FEED 1 5/8 ST	48
-	1	-	-	B			690602-5	CAM, PRE-FEED 1 1/8 ST	47
-	-	1	-	B			690501-4	CAM, POST-FEED 1 5/8 ST	46
1	1	1	-	B			459456-2	APPLICATOR, BASIC (SUBASSY)	45
1	1	1	-	A			690191-1	PLUG, NYLON	44
1	1	1	-	C			455673-1	RAM	43
1	1	1	-	A			690125-1	WASHER, LAMINATED	42
1	1	1	-	A			690124-1	WASHER, RAM	41
1	1	1	-	A			690686-1	BOLT, CRIMPER (5/16x1.00)	40
1	1	1	-	A			23241-6	BALL, STEEL	39
1	1	1	-	A			690170-1	SPRING, COMPRESSION	38
1	1	1	-	C			690142-1	DISC, INSULATION	37
1	1	1	-	D			354777-1	WIRE DISC, PLASTIC	36
1	1	1	-	A			22480-5	WASHER, SPRING	35
1	1	1	-	B			690212-1	POST, RAM	34
1	1	1	-	B			690786-6	SUPPORT, TERMINAL	33
REF	REF	REF	-	D			455675-1	PLATE, BASE	32
1	1	1	-	A			690432-3	SCREW, ADJUSTMENT	31
									30
REF	REF	REF	-	B			455689-1	BLOCK, STRIP GUIDE ADJ	29
1	1	1	-	C			455671-1	PLATE, STRIP GUIDE	28
1	1	1	-	C			2-455888-2	SPACER, FRONT SHEAR DEP	27
2	2	2	-	A					