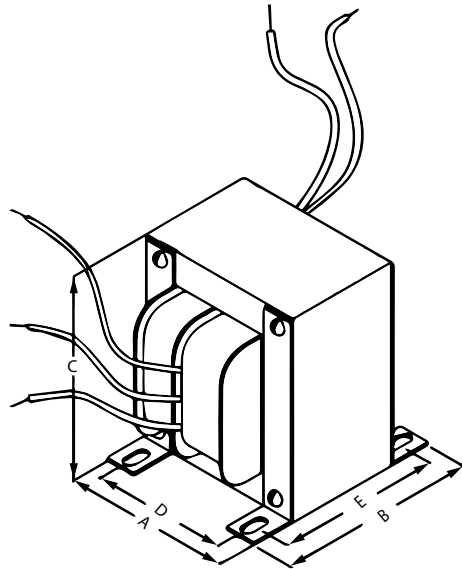




166M48

Power Transformer - Low Voltage/ Filament
Economical Single Primary - Open Style Chassis Mount



Features

- Economical single primary 115 VAC, 60 Hz. (or 117 50/60 Hz. see table below)
- Open style, channel bracket, chassis mount.
- Minimum 6" long leads.
- Dual bobbin design - no electrostatic shield required.
- Class B insulation (130 degrees, C) for extra protection - **UL listed** as a Class A (105 degree, C) design
- Hi-Pot test of 2,000V RMS.
- **CSA certified.**

Overall Dimensions (in. / mm)	
A	3.44 / 87.4
B	2.98 / 75.7
C	4.13 / 104.9
Hole to Hole Mounting Dims	
D	2.75 / 69.9
E	2.38 / 60.5
Mounting Hole Sizes	
Width-wise	0.203 / 5.2
Depth-wise	0.375 / 9.5
Electrical	
Size (VA)	144
Primary	117V 50/60 Hz.
Secondary VAC	48 C.T.
Secondary Amps	3

