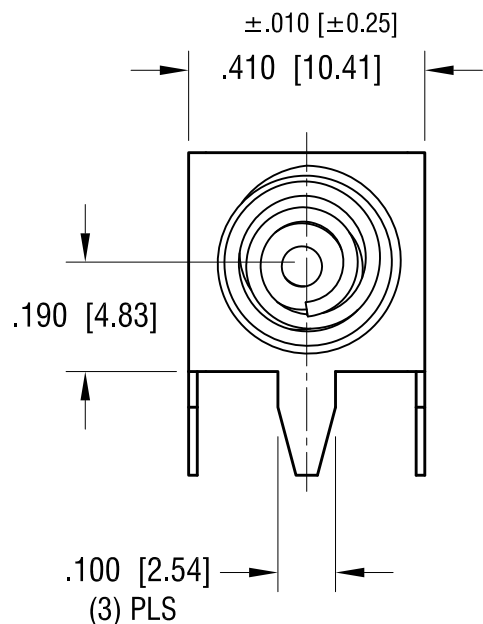
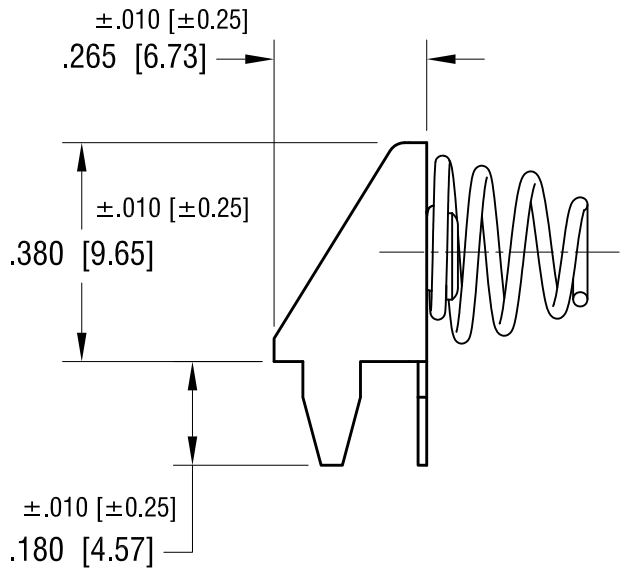
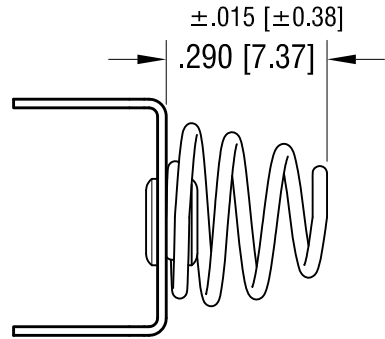
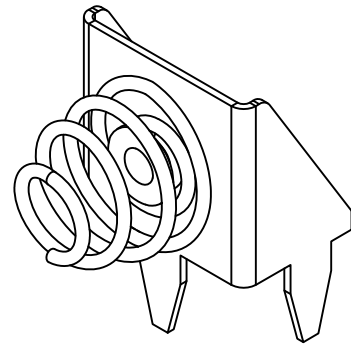
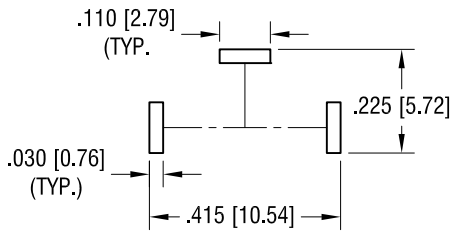


THIS DOCUMENT IS THE PROPERTY OF KEYSTONE ELECTRONICS CORP. AND SHALL NOT BE REPRODUCED, DISTRIBUTED OR USED AS A BASIS FOR MANUFACTURE WITHOUT PRIOR WRITTEN PERMISSION FROM KEYSTONE ELECTRONICS CORP.

MOUNTING DETAIL



NOTE:

1. BASE - MAT'L: .015 [0.38] TH'K STEEL
FINISH: MATTE TIN PLATE
2. SPRING - MAT'L: .025 [0.63] DIA. MUSIC WIRE
FINISH: NICKEL PLATE

6.02.09	CHANGE AS PER ECN 09-042	A
DATE	DESCRIPTION	REV.

KEYSTONE ELECTRONICS CORP.			
www.keyelco.com • ASTORIA, N.Y. 11105-2017 • Tel (718) 956-8900			
PART NAME			
'AA' 'AAA' 'N' SIZE PC SPRING CONTACT			
MATERIAL			
AS NOTED			
FINISH		DRN BY	DATE
AS NOTED		BOONE	12.8.98
		APP'D	SCALE
		LN	3X
TOLERANCES	INCH [MM]	CODE	DWG NO.
DECIMAL	± .005 [± 0.15]	C	629
ANGULAR	± 1°		
UNLESS OTHERWISE SPECIFIED			