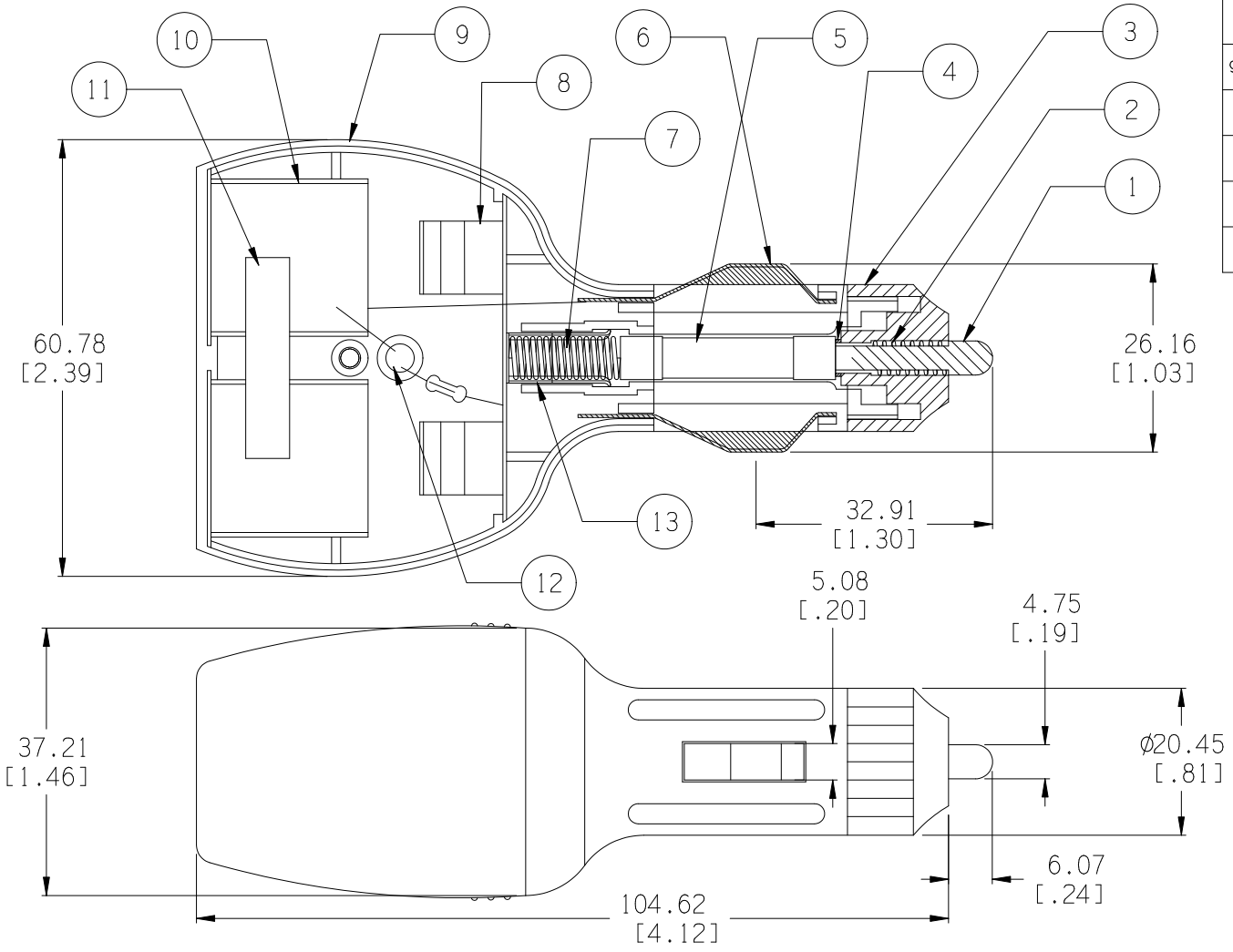



Date	SYM	REVISION RECORD	AUTH	DR.	CK.
9/28/07	A	Added "ROHS COMPLIANT"	T.B.	B.S.	



ITEM NO.	PART NAME	MATL. SPECIFICATION	QTY.
1	TIP CONTACT (+) TERMINAL	BRASS, NICKLE PLTD.	1
2	SPRING	STEEL WIRE; $\phi$ 0.45 THK	1
3	CAP	BAKELITE, BLACK	1
4	WASHER	BRASS, NICKLE PLTD.	1
5	FUSE	1 AMP. 6.3*30	1
6	(-) TERMINAL	STEEL, NICKLE PLTD	2
7	SPRING	PHOSPHORSCENT BRONZE; $\phi$ 0.45 THK	1
8	(+) CONTACT	BRASS, NICKLE PLTD.	1
9	BODY	NYLON 66, GLASS FILLED	1
10	SOCKET	BRASS, NICKLE PLTD.; 0.6 THK	2
11	SHORTING BAR	BRASS; 0.6 THK	1
12	LED	$\phi$ 3 DC 12V	1
13	SPRING HOUSING	BRASS, NICKLE PLTD.	1

ROHS COMPLIANT

Tolerance (Inches)	 Memory Protection Devices, Inc 200 Broad Hollow Road, Farmingdale, New York 11735	Scale	Drawn By B.S.
Decimal $\pm .5$ (.020)		Approved By T.B.	
Fractional $\pm .8$ (.030)	Title DUAL SOCKET SPLITTER, LED & 1A FUSE		
Angular $\pm 3^\circ$	Date 9/28/07	Drawing Number ZA5018	