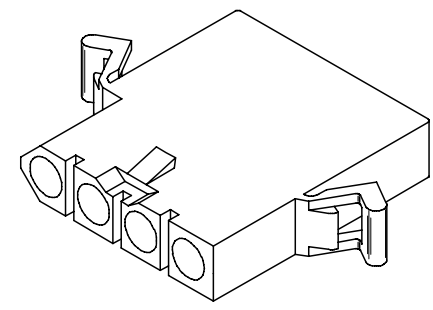
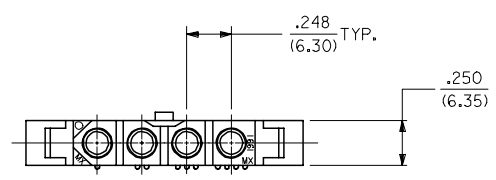
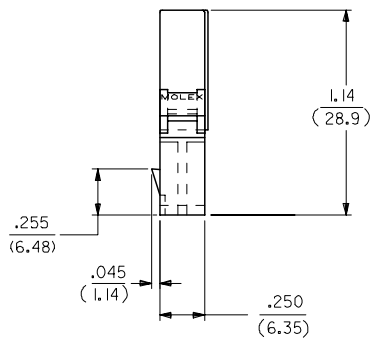
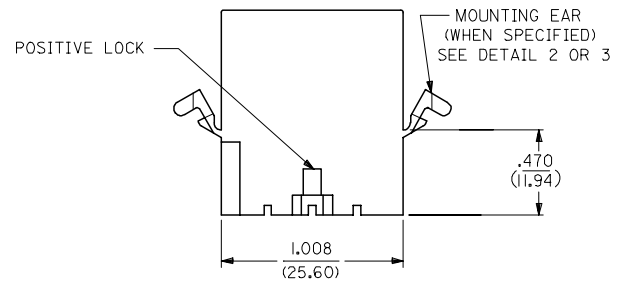
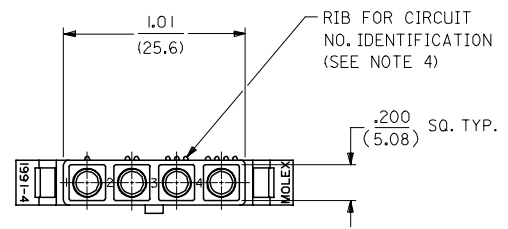


13 12 11 10 9 8 7 6 5 4 3 2 1

J
I
H
G
F
E
D
C
B
A

J
I
H
G
F
E
D
C
B
A

RECEPTACLE



RECEPTACLE HOUSING

UPDATE TITLE BLOCK EC NO: UCP2007-1498 DRAWN: AELHAG 2007/04/04 CHKD: AELHAG 2007/04/04 APPR: FSM TH 2007/04/04 REVISION DESCRIPTION	QUALITY SYMBOLS	GENERAL TOLERANCES (UNLESS SPECIFIED) mm INCH 4 PLACES ± --- ± --- 3 PLACES ± --- ± .010 2 PLACES ± 0.25 ± .014 1 PLACE ± 0.35 ± --- ANGULAR ± 1 °	DIMENSION STYLE	SCALE	DESIGN UNITS	THIRD ANGLE PROJECTION
	=0 ≠0		IN/MM	2:1	INCH	
	DRAFT WHERE APPLICABLE MUST REMAIN WITHIN DIMENSIONS		DRAWN BY DATE GEP 1988/03/01 CHECKED BY DATE RW 1988/03/01 APPROVED BY DATE RAS 1988/03/01	TITLE	.093/(2.36) HOUSINGS, PLUG AND RECEPTACLE, 4 CKT, .248/(6.30) CTRS.	
	SEE CHART		MATERIAL NO. DOCUMENT NO.	MOLEX INCORPORATED SD-1991-4*	SHEET NO. 2 OF 3	

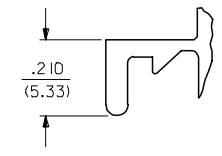
12 11 10 9 8 7 6 5 4 3 2 1

	13	12	11	10	9	8	7	6	5	4	3	2	1
	PLUG			RECEPTACLE									
J	PART NO.	ENG. NO.		PART NO.	ENG. NO.								
	I9-09-2042	I991-4P1		I9-09-1041	I991-4R								
	I9-09-2043	I991-4P2		I9-09-1042	I991-4R1								
				I9-09-1043	I991-4R2								
I													
H													

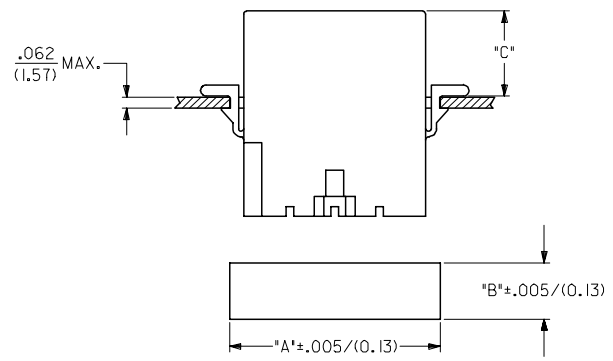
LEGEND:
 1991-4****
 CIRCUIT SIZE
 P = PLUG
 R = RECEPTACLE

BLANK = WITH STANDARD EARS
 1 = WITHOUT EARS
 2 = WITH PREBENT EARS, PER DETAIL 3

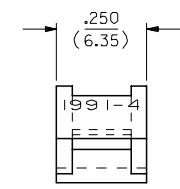
COLOR: BLANK=NATURAL COLOR
 AM=AMBER BK=BLACK BU=BLUE
 BN=BROWN GY=GRAY GN=GREEN
 OR=ORANGE RD=RED YW=YELLOW



DETAIL 2
 STANDARD MOUNTING EAR
 (SCALE 4:1)



HOUSING	DIM. "A"	DIM. "B"	DIM. "C" STD. EAR	DIM. "C" PREBENT
PLUG	1.270/(32.26)	.365/(9.27)	.48/(12.2)	.52/(13.2)
RECEPTACLE	1.168/(29.67)	.311/(7.90)	.47/(11.9)	.51/(12.9)



DETAIL 3
 PREBENT MOUNTING EAR
 (SCALE 4:1)

- NOTES:**
1. MATERIAL: NYLON TYPE 6/6, 94V-2.
 2. FINISH: N/A
 3. PRODUCT SPECIFICATION: PS-02-09
 4. PACKAGING SPECIFICATION: PK-1991-001
 5. ACCEPTS MOLEX .093/(2.36) SERIES TERMINALS.
 6. PARTS FROM EARLIER VERSION TOOLS DO NOT HAVE CIRCUIT IDENTIFICATION RIBS
 7. PARTS CONFORM TO CLASS B REQUIREMENTS OF COSMETIC SPECIFICATION: PS-45499-002.

UPDATE NOTES EC NO: UCP2007-1498 DRW:NAELHAG 2007/04/04 CHKD:AEHAG 2007/04/04 APPR:FSM TH 2007/04/04 REVISION DESCRIPTION	QUALITY SYMBOLS	GENERAL TOLERANCES (UNLESS SPECIFIED)	DIMENSION STYLE IN/MM	SCALE 2:1	DESIGN UNITS INCH	THIRD ANGLE PROJECTION
	$\nabla=0$ $\nabla=0$	mm INCH 4 PLACES ± --- ± --- 3 PLACES ± --- ± .010 2 PLACES ± 0.25 ± .014 1 PLACE ± 0.35 ± --- ANGULAR ± 1 °	DRAWN BY DATE GEP 1988/03/02 CHECKED BY DATE RW 1988/03/02 APPROVED BY DATE RAS 1988/03/02	TITLE		
		DRAFT WHERE APPLICABLE MUST REMAIN WITHIN DIMENSIONS	SEE CHART	.093/(2.36) HOUSINGS, PLUG AND RECEPTACLE, 4 CKT, .248/(6.30) CTRS.		
				MATERIAL NO. SD-1991-4* DOCUMENT NO.	SHEET NO. 3 OF 3	