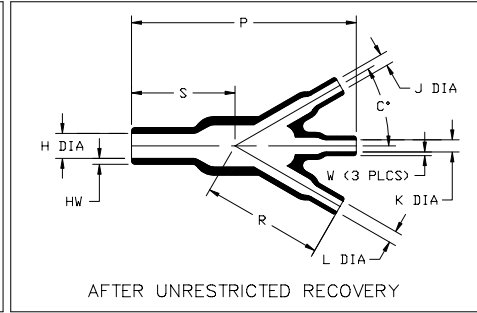
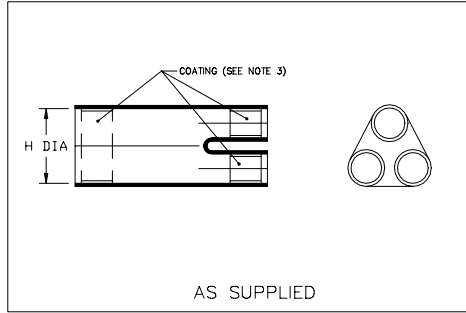


# Molded Parts Specification Control Drawing

Part Number : 462A046-X-07  
Description : Transition, 1 to 3 Cables

## NOTES

- All dimensions are in  $\frac{\text{inches}}{[\text{millimeters}]}$
- Dimensions appearing in table are as follows:
  - a - As Supplied
  - b - After Unrestricted Recovery
- Coating is optional. As supplied dimensions appearing in table are for uncoated parts. When coating is added, entry diameters will be reduced by .06 max.



PART NUMBER	H		J,K & L		P	R	S	HW	W	C
	Min	Max	Min	Max						
	a	b	a	b	±10%	±10%	±10%	±20%	±20%	±5°
462A046-X-07	2.19 [55,6]	1.00 [25,4]	1.50 [38,1]	.49 [12,4]	7.56 [192,0]	4.06 [103,1]	3.50 [88,9]	.18 [4,57]	.12 [3,05]	30°

If this document is printed it becomes uncontrolled.  
Check for the latest revision.



TYCO ELECTRONICS  
307 CONSTITUTION DRIVE  
MENLO PARK, CALIFORNIA 94025

Revision : A  
Date : 12/12/01

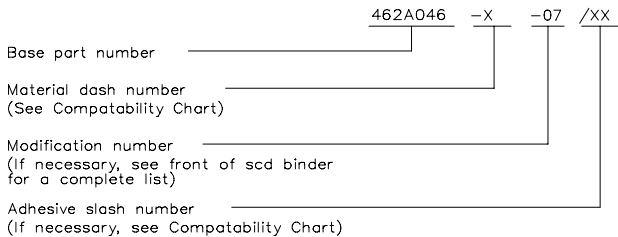
Part Number : 462A046-X-07  
Description : Transition, 1 to 3 Cables

# Molded Parts Specification Control Drawing

Part Number : 462A046-X-07  
Description : Transition, 1 to 3 Cables

COMPATABILITY CHART					
MATERIAL DASH NO.	MATERIAL DESCRIPTION	RT SPEC	COATING SLASH NO.	COATING S NO.	COATING DESCRIPTION
-25	Elastomer, Fluid Resistant	RT-1325	N/A		

## ORDERING INFORMATION



THIS DRAWING IS SUBJECT TO CHANGE WITHOUT NOTICE; CONSULT YOUR NEAREST FIELD REPRESENTATIVE FOR CURRENT REVISION



TYCO ELECTRONICS  
307 CONSTITUTION DRIVE  
MENLO PARK, CALIFORNIA 94025

Revision : A  
Date : 12/12/01

Part Number : 462A046-X-07  
Description : Transition, 1 to 3 Cables