

RS
RS 32IO 1W H S**Weidmüller Interface GmbH & Co. KG**
Klingenbergstraße 16
D-32758 Detmold
Germany
Fon: +49 5231 14-0
Fax: +49 5231 14-292083
www.weidmueller.com

The digital direct input/output interfaces are supplied with flat cable connectors to facilitate connection. They are available in tension clamp or clamping yoke connection, with elements such as fuses, disconnectors or LEDs.

General ordering data

Type	RS 32IO 1W H S
Order No.	944590000
Version	Interface, RS, 1-wire, Screw connection
GTIN (EAN)	4032248253012
Qty.	1 pc(s).

RS
RS 32IO 1W H S

Weidmüller Interface GmbH & Co. KG
 Klingenbergstraße 16
 D-32758 Detmold
 Germany
 Fon: +49 5231 14-0
 Fax: +49 5231 14-292083
 www.weidmueller.com

Technical data**Dimensions and weights**

Length	90 mm	Width	87 mm
Height	72 mm	Net weight	218 g

Temperatures

Operating temperature	-25...+50°C	Storage temperature	-40...+60 °C
-----------------------	-------------	---------------------	--------------

General data

LED status display per channel	No	Disconnection per channel	No
Type of test point	No	Fuse per channel	No
LED status of the supply voltage	yellow	Power supply fuse	3.15 A
Common pole polarity	No		

Connection data

Connection to PLC	HE 10 connector - 20 pole	Connection on control side	2 x Connector according IEC60603-13/DIN41651
Number of poles (control side)	2x20-pole plug	Connection (field side)	LP2N 5.08mm
Wiring system	1-wire		

Ratings data

Operating voltage	25 V AC / 50 V DC	Max. current per channel	1 A
Total operating current	2 A		

Insulation coordination (EN50178)

According to	DIN EN 50178	Rated insulation voltage	< 50 V AC
Surge voltage category	III	Pollution severity level	2
Pulse voltage test (1,2/50µs)	0.8 kV	Insulation test voltage	0.35 kVAC

Connection field

Type of connection	Screw connection	Clamping range, min.	0.13 mm ²
Clamping range, max.	6 mm ²	Solid, min. H05(07) V-U	0.5 mm ²
Solid, max. H05(07) V-U	6 mm ²	Flexible, min. H05(07) V-K	0.5 mm ²
Flexible, max. H05(07) V-K	4 mm ²	Flexible with sleeve, max.	2.5 mm ²
Flexible with sleeve, min.	0.5 mm ²	Sleeve with plastic collar, max.	2.5 mm ²
Min. wire cross-section, AWG [field]	AWG 26	Max. wire cross-section, AWG [field]	AWG 12
Tightening torque, min.	0.5 Nm	Tightening torque, max.	0.6 Nm
Stripping length	6 mm		

Supply connection

Type of connection	Screw connection	Clamping range, min.	0.13 mm ²
Clamping range, max.	6 mm ²	Solid, min. H05(07) V-U	0.5 mm ²
Solid, max. H05(07) V-U	6 mm ²	Flexible, min. H05(07) V-K	0.5 mm ²
Flexible, max. H05(07) V-K	4 mm ²	Flexible with sleeve, max.	2.5 mm ²
Flexible with sleeve, min.	0.5 mm ²	Ferrule with plastic collar, max.	2.5 mm ²
Wire cross-section, min. AWG	AWG 26	Wire cross-section, max. AWG	AWG 12
Tightening torque, min.	0.5 Nm	Tightening torque, max.	0.6 Nm
Stripping length	6 mm		

Data sheet

**RS
RS 32IO 1W H S**

Weidmüller Interface GmbH & Co. KG
 Klingenbergstraße 16
 D-32758 Detmold
 Germany
 Fon: +49 5231 14-0
 Fax: +49 5231 14-292083
 www.weidmueller.com

Technical data

Classifications

ETIM 3.0	EC001423	UNSPSC	30-21-18-01
eClass 5.1	27-24-22-08	eClass 6.2	27-24-22-08
eClass 7.1	27-24-22-08		

Approvals

Approvals



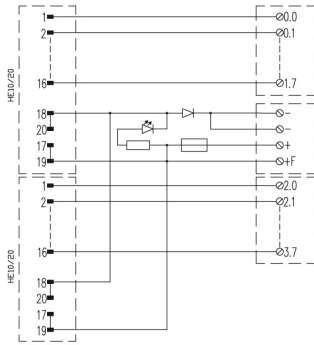
ROHS Conform

Downloads

Declaration of Conformity	K277_11_04.pdf
EPLAN	EPLAN Macro

Data sheet**RS
RS 32IO 1W H S**

Weidmüller Interface GmbH & Co. KG
Klingenbergstraße 16
D-32758 Detmold
Germany
Fon: +49 5231 14-0
Fax: +49 5231 14-292083
www.weidmueller.com

Drawings

The wiring diagram corresponds to the version with LEDs.