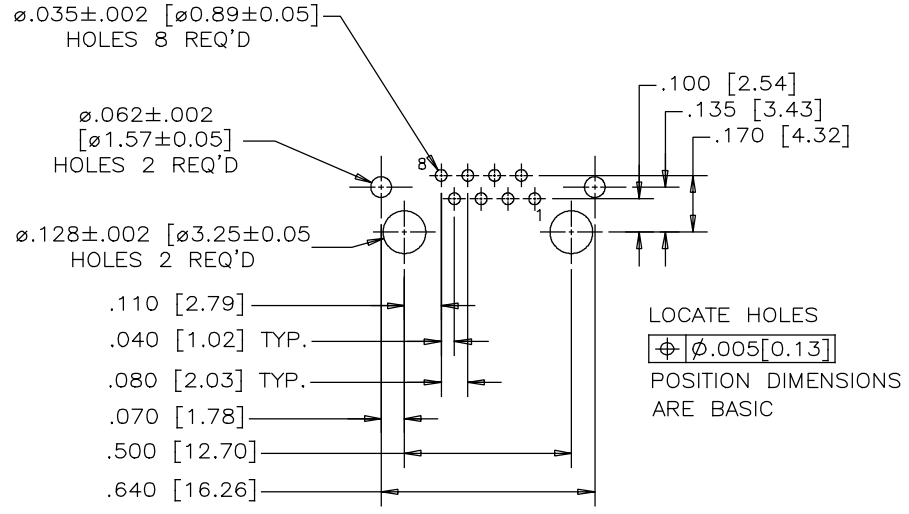
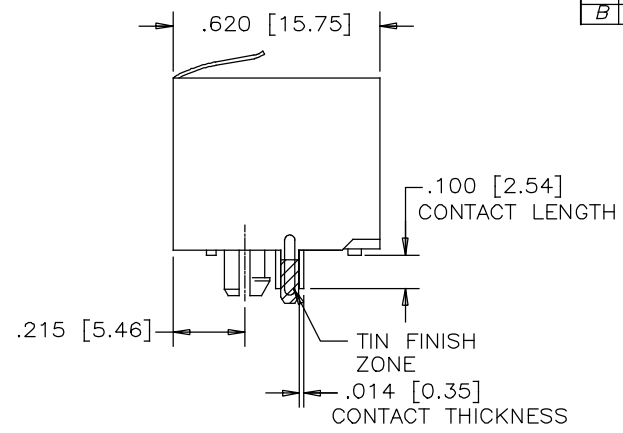
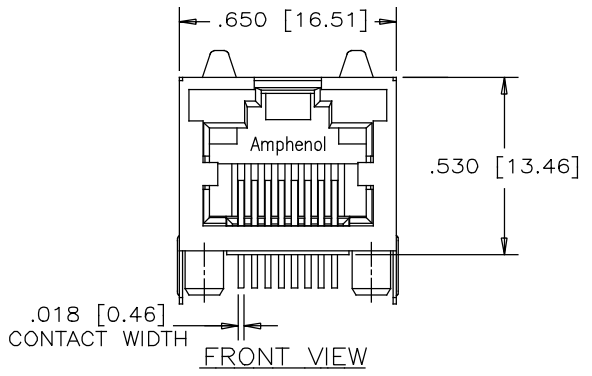
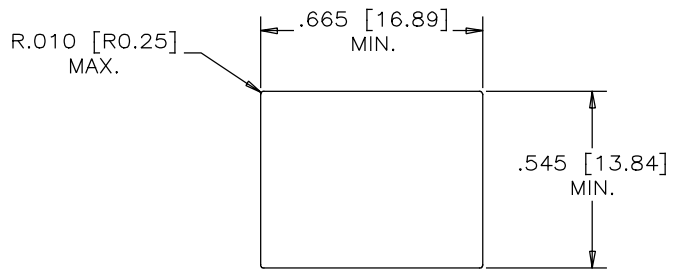


REVISIONS			
REV	DESCRIPTION, ECN, EAR NO.	DATE	APP'D
A	PROPOSAL	JUN 27/16	L.CHAN
B	CHANGE SHIELD TAIL PLATING	MAY 17/17	L.CHAN



LOCATE HOLES  
 $\Phi \text{ } \phi .005 [0.13]$   
 POSITION DIMENSIONS  
 ARE BASIC



NOTES:

- MATERIALS:**  
 PLASTIC HOUSING: HIGH TEMPERATURE THERMOPLASTIC  
 FLAMMABILITY RATING UL 94V-0, COLOUR: BLACK  
  
 CONTACTS: PHOSPHOR BRONZE  
 PLATING: GOLD PLATING ON MATING SURFACES  
 SEE PART NO. FOR THICKNESS  
 50 μ" [1.27 MICRONS]  
 MIN. NICKEL UNDERPLATE  
 100 μ" [2.54 MICRONS]  
 MIN. MATTE TIN ON CONTACT TAILS.  
  
 SHIELD: STAINLESS STEEL WITH TIN FINISH ON SOLDER TAIL
- RECOMMENDED SOLDERING TEMPERATURE:**  
 WAVE SOLDERING AT 260°C MAXIMUM FOR 5 SEC MAXIMUM.
- PART NUMBER:** RJHSE-X380  
  
 GOLD PLATING  
 0 = RJ45 FLAT CONTACT 1~3u"  
 E = RJ45 FLAT CONTACT 6u"  
 G = RJ45 FLAT CONTACT 15u"  
 J = RJ45 FLAT CONTACT 30u"  
 5 = RJ45 FLAT CONTACT 50u"

UNLESS SPECIFIED OTHERWISE		DRAWN <i>Chang Wei</i>	DATE JUN 27/16	Amphenol Canada Corp. www.amphenolcanada.com
PRIMARY UNITS MM	SECONDARY INCH	CHECKED <i>Lawrence C</i>	DATE JUN 27/16	
REFERENCE IN PARENTHESES	GENERAL TOLERANCES	M.E. APP'D	Q.A. APP'D	TITLE
1 DECIMAL PLACE --	2 DECIMAL PLACES ±0.015	ENG. REL. NO.	REF.	HIGH SPEED, RJ45, MODULAR JACK, 8 POSITION, 8 CONTACTS, SHIELDED WITHOUT LEDs - RoHS COMPLIANT
3 DECIMAL PLACES ±0.010	ANGULAR DEGREES ±1.0°	THIRD ANGLE PROJECTION	DO NOT SCALE DRAWING	
DWG. NO. P-RJHSE-X380				REV B
CODE ID NO. 03554   DWG SIZE: X   SCALE: N/A   SHEET 1 OF 1				

THIS DOCUMENT CONTAINS PROPRIETARY INFORMATION AND SUCH INFORMATION MAY NOT BE DISCLOSED TO OTHERS FOR ANY PURPOSE OR USED FOR MANUFACTURING PURPOSES WITHOUT WRITTEN PERMISSION FROM AMPHENOL CANADA CORP.