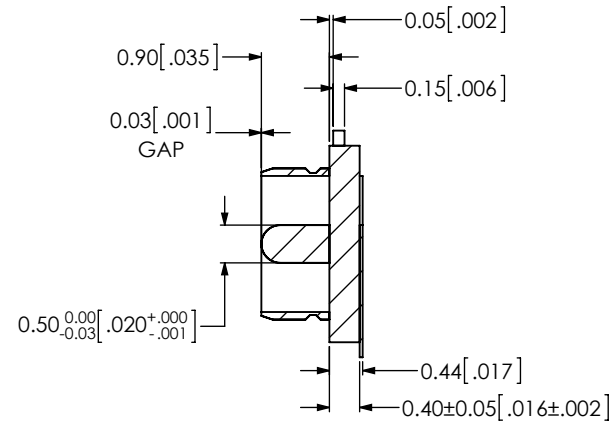
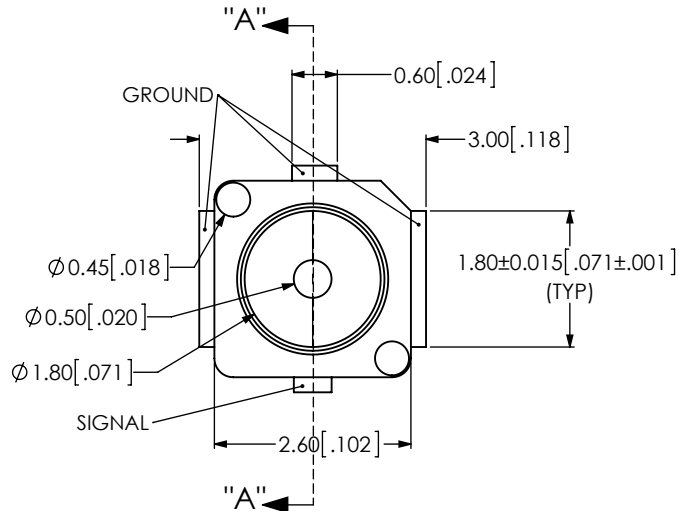


REVISION H

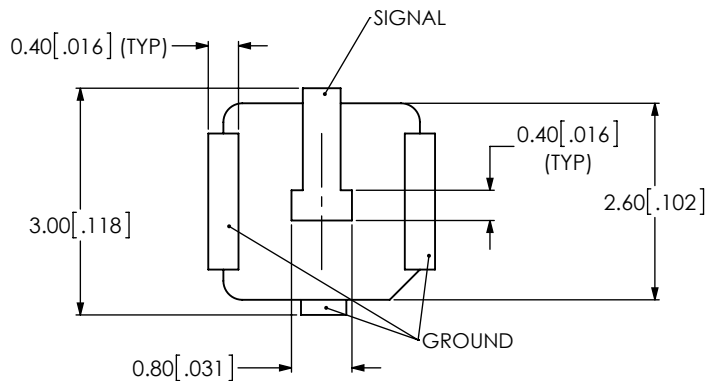
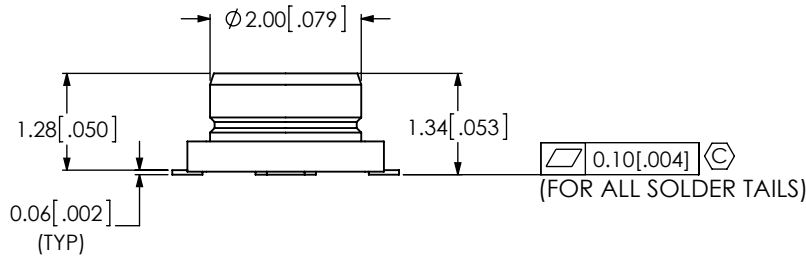
- NOTES:  
 1. NOT AVAILABLE AS STANDARD.  
 2. (C) REPRESENTS A CRITICAL DIMENSION.  
 3. PARTS TO BE PACKAGED IN TAPE & REEL.  
 4. QUANTITIES UNDER 5000 PCS WILL BE SHIPPED IN POCKETS WITH COVER TAPE BUT NOT ON A REEL.  
 5. ROHS COMPLIANT.  
 6. MINIMUM CONTACT RETENTION FORCE : 0.4 N

**SPECIFICATIONS:**  
 ELECTRICAL RATINGS

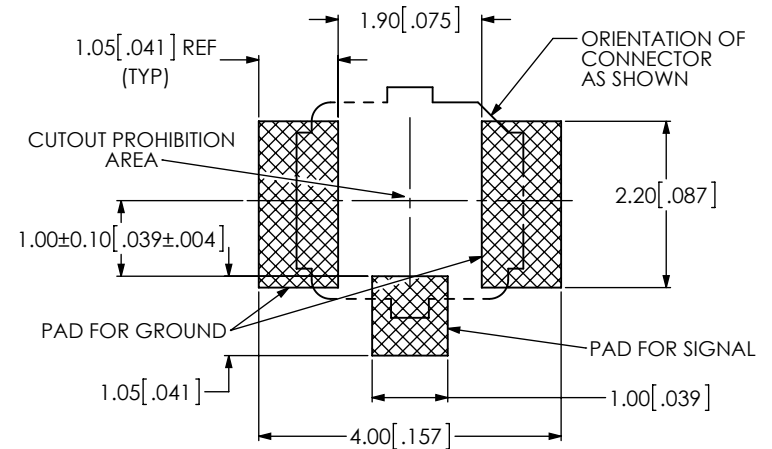
|                      |               |
|----------------------|---------------|
| IMPEDANCE            | 50 Ω          |
| RATED VOLTAGE        | 60 V AC (RMS) |
| RATED FREQUENCY      | DC TO 6 GHz   |
| OPERATING TEMP RANGE | -40C to 90C   |
| OPERATING HUMIDITY   | 90% OR LESS   |



SECTION "A"-"A"




RECOMMENDED P.C.B LAYOUT



BY SIGNING THIS DOCUMENT YOU ARE ACCEPTING THE CONDITIONS SET WITHIN. YOUR REQUIREMENTS MUST BE LISTED WITHIN THIS DRAWING. WHERE NO DIRECTION FROM THE CUSTOMER IS IDENTIFIED SAMTEC'S PROCESS REQUIREMENTS WILL BE USED.

DATE: \_\_\_\_\_  
 COMPANY: \_\_\_\_\_  
 CUSTOMER SIGNATURE: \_\_\_\_\_  
 PRINTED NAME: \_\_\_\_\_  
 PHONE NO: \_\_\_\_\_  
 EXCEPTIONS: \_\_\_\_\_

|  |   |   |                            |
|--|---|---|----------------------------|
| UNLESS OTHERWISE SPECIFIED, DIMENSIONS ARE IN MILLIMETERS.<br>TOLERANCES ARE:<br>DECIMALS                      ANGLES<br>.XX: ±.10                              5°<br>.XXX: ±.05 | PROPRIETARY NOTE<br>THIS DOCUMENT CONTAINS CONFIDENTIAL AND PROPRIETARY INFORMATION AND ALL DESIGN, MANUFACTURING, REPRODUCTION, USE, PATENT RIGHTS AND SALES RIGHTS ARE EXPRESSLY RESERVED BY SAMTEC, INC. THIS DOCUMENT SHALL NOT BE DISCLOSED, IN WHOLE OR PART, TO ANY UNAUTHORIZED PERSON OR ENTITY NOR REPRODUCED, TRANSFERRED OR INCORPORATED IN ANY OTHER PROJECT IN ANY MANNER WITHOUT THE EXPRESS WRITTEN CONSENT OF SAMTEC, INC. |    |                            |
|  |   | 520 PARK EAST BLVD, NEW ALBANY, IN 47150<br>PHONE: 812-944-6733    FAX: 812-948-5047<br>e-Mail: info@SAMTEC.com    code 55322 |                            |
| DO NOT SCALE DRAWING                      SHEET SCALE: 10:1  |   | DESCRIPTION:<br>I-PEX MHF I CONNECTOR RECEPTACLE  |                            |
| MATERIAL:<br>SHELL & CENTER CONTACT: PHOS BRONZE C5191<br>HOUSING: LCP, UL 94 V-0  |   | DWG. NO.<br><b>RSP-122811-01</b>  |                            |
| F:\DWG\MISC\MKTG\RSP-122811-01-MKT.SLDDRW  |   | BY: TIM P.  | 03/17/2006    SHEET 1 OF 1 |

| ITEM NO. | PART NUMBER   |
|----------|---------------|
| 1        | RSP-122811-01 |