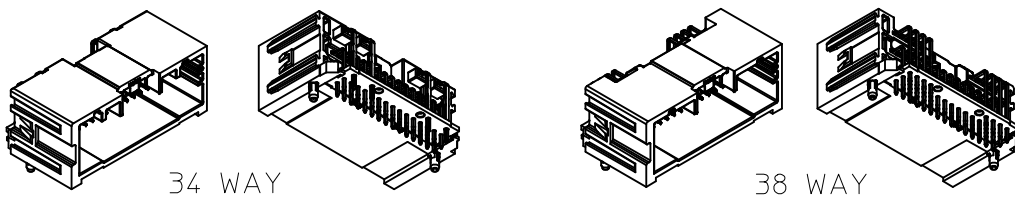


NOTES: VALID UNLESS OTHERWISE SPECIFIED
1. GENERAL:

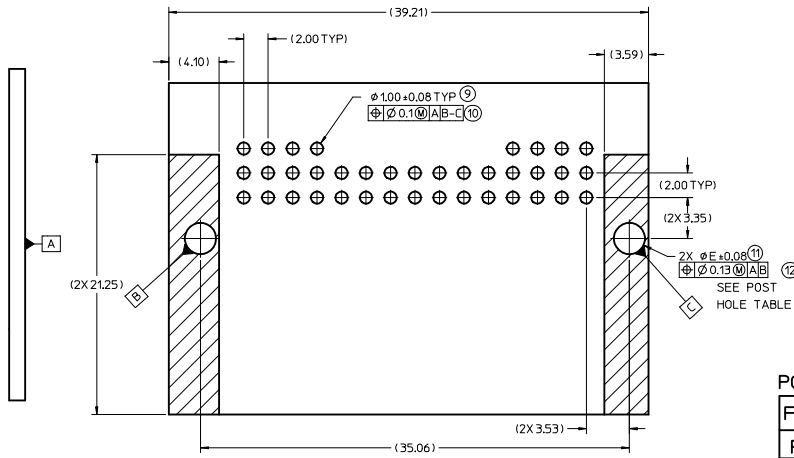
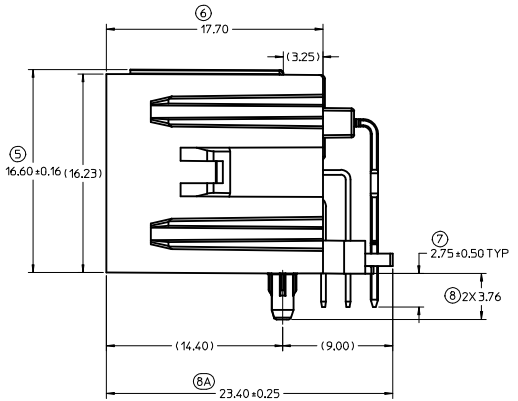
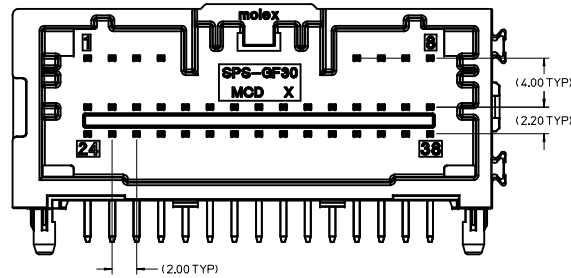
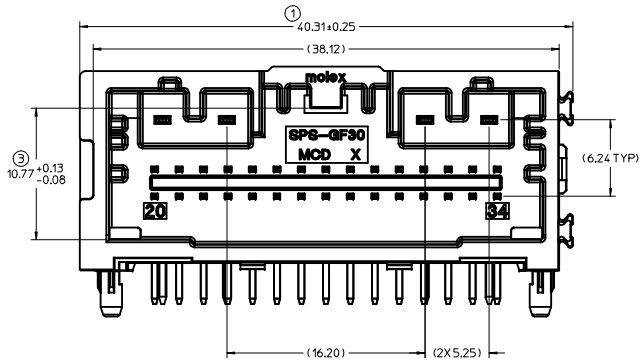
- a. CONNECTOR HEADER MUST BE VALIDATED TO THE FOLLOWING FUNCTIONAL REQUIREMENTS:
 VALIDATION SPECIFICATION - GMW3191 JUNE 2012
 SOLDERABILITY - SMES-152
 - b. APPLICATION REQUIREMENTS (REFERENCE ONLY) FOR:
 SEE APPLICATION SPECIFICATION - AS-34959-001
 SEE PRODUCT SPECIFICATION - PS-34959-001
 MATES WITH: SD-34959-030
 - c. PACKAGING SPECIFICATION PER MOLEX DRAWING PK-XXXX-XXX
2. DESIGN: MATERIALS:
- a. SHROUD (PLASTIC HOUSING):
RESIN - SPS 30%GF
 - b. PIN ALIGNMENT PLATE:
RESIN - SPS 30%GF
 - c. 0.50MM BLADES:
BASE MATERIAL: C26800
PLATING TYPE: AS NOTED
 - d. 1.20MM BLADES:
BASE MATERIAL: C26800
PLATING TYPE: AS NOTED
3. PLATING REQUIREMENTS:
- a. UNDERPLATING - OVERALL NICKEL
 - b. OVERPLATING - OVERALL TIN

| MATERIAL NUMBER | | | CKT SIZE | DESCRIPTION | POL | COLOR |
|--------------------------------|--------------------------------|--------------------------------|----------|--|-----|---------|
| TRAY PACKAGING PK-31302-070 | TUBE PACKAGING PK-31301-688 | TAPE AND REEL PK-47799-0001 | | | | |
| 34961-0340 | 34961-7340 | 34961-8340 | 34 | 34CKT MINISO RIGHT ANGLE HEADER ASSEMBLY | A | BLACK |
| 34961-0341 | 34961-7341 | 34961-8341 | 34 | 34CKT MINISO RIGHT ANGLE HEADER ASSEMBLY | B | GREY |
| 34961-0342 | 34961-7342 | 34961-8342 | 34 | 34CKT MINISO RIGHT ANGLE HEADER ASSEMBLY | C | DK GREY |
| 34961-0380 | 34961-7380 | 34961-8380 | 38 | 38CKT MINISO RIGHT ANGLE HEADER ASSEMBLY | A | BLACK |
| 34961-0381 | 34961-7381 | 34961-8381 | 38 | 38CKT MINISO RIGHT ANGLE HEADER ASSEMBLY | B | GREY |
| 34961-0382 | 34961-7382 | 34961-8382 | 38 | 38CKT MINISO RIGHT ANGLE HEADER ASSEMBLY | C | DK GREY |



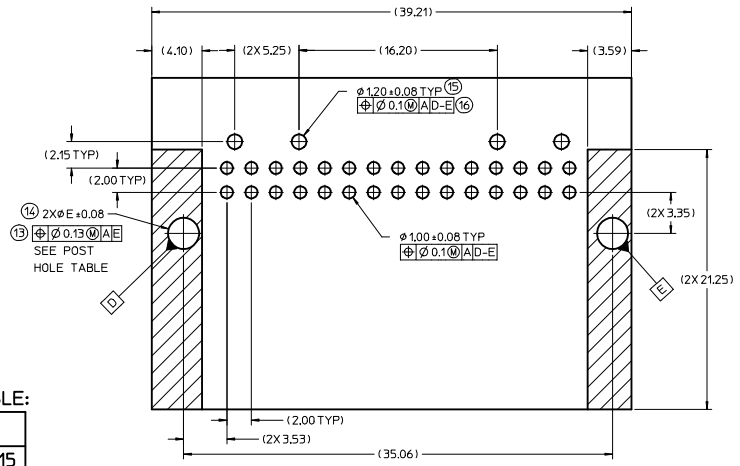
ISOMETRIC VIEW
SCALE 2:1

| | | | | | | |
|---|---------------------|--|---|-------------------------|------------------------|---|
| ENTER DESCRIPTION IEC NO: UAU2017-0815 DRAWN: JFISCHER01 2017/03/14 CHKD: CHYK APPR: RBALMAN 2017/03/21 REV: | QUALITY SYMBOLS | GENERAL TOLERANCES (UNLESS SPECIFIED) | DIMENSION STYLE MM ONLY | SCALE 2:1 | DESIGN UNITS METRIC | THIRD ANGLE PROJECTION |
| | ▽=0 | 4 PLACES ± --- ± --- | mm INCH | DRAWN BY JFISCHER01 | DATE 2012/11/21 | TITLE 34 & 38 CKT MINISO RIGHT ANGLE HEADER ASSEMBLY SALES DRAWING |
| | ▽=0 | 3 PLACES ± --- ± --- | | CHECKED BY | DATE | |
| | ▽=0 | 2 PLACES ± --- ± --- | | APPROVED BY KDEKOSKI | DATE 2012/12/21 | |
| | 1 PLACE ± --- ± --- | ANGULAR ± 1 ° | MATERIAL NO. | DOCUMENT NO. | | SHEET NO. |
| | 0 PLACE ± --- ± --- | DRAFT WHERE APPLICABLE MUST REMAIN WITHIN DIMENSIONS | SEE CHART | SD-34961-030 | | 1 OF 2 |
| | | | THIS DRAWING CONTAINS INFORMATION THAT IS PROPRIETARY TO MOLEX INCORPORATED AND SHOULD NOT BE USED WITHOUT WRITTEN PERMISSION | | | |

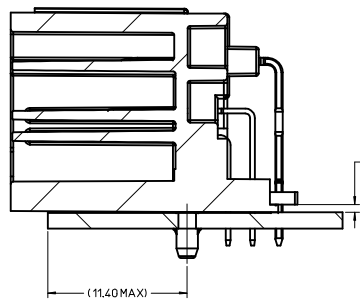


POST HOLE TABLE:
FOR DIM E:

| | |
|------------|------|
| PRESS FIT: | 2.15 |
| DROP IN: | 2.55 |



FLUSH MOUNTING
HEADER-TO-PCB



REFERENCE 38WAY PCB LAYOUT

REFERENCE 34WAY PCB LAYOUT

| DIN 16901 | CODE LETTER | NOMINAL DIMENSION RANGE | | | | | | | | | | | | | | |
|-------------|-------------|-------------------------|-------|-------|-------|-------|-------|-------|-------|-------|-------|-------|-------|-------|-------|-----|
| | | OVER UP TO | 0 | 1 | 3 | 6 | 10 | 15 | 22 | 30 | 40 | 53 | 70 | 90 | 120 | 160 |
| PRECISION | A | | +0.10 | +0.12 | +0.14 | +0.16 | +0.20 | +0.22 | +0.24 | +0.26 | +0.28 | +0.31 | +0.35 | +0.40 | +0.50 | |
| ENGINEERING | B | | +0.05 | +0.06 | +0.07 | +0.08 | +0.10 | +0.12 | +0.14 | +0.16 | +0.18 | +0.21 | +0.25 | +0.30 | +0.40 | |

A: FOR NON-MOLD RELATED DIMENSIONS (ACROSS PARTING LINE)
B: FOR MOLD RELATED DIMENSIONS (WITHIN MOLD COMPONENTS)

| ENTER DESCRIPTION IEC NO. UAU2017-0815 DRAWN: JFISCHER01 2017/03/14 CHKD: APPR: BRALMAN 2017/03/21 | QUALITY SYMBOLS ▽=0 ▽=0 ▽=0 | GENERAL TOLERANCES (UNLESS SPECIFIED) <table border="1"> <tr> <th></th> <th>mm</th> <th>INCH</th> </tr> <tr> <td>4 PLACES</td> <td>± ---</td> <td>± ---</td> </tr> <tr> <td>3 PLACES</td> <td>± ---</td> <td>± ---</td> </tr> <tr> <td>2 PLACES</td> <td>± ---</td> <td>± ---</td> </tr> <tr> <td>1 PLACE</td> <td>± ---</td> <td>± ---</td> </tr> <tr> <td>0 PLACE</td> <td>± ---</td> <td>± ---</td> </tr> </table> | | mm | INCH | 4 PLACES | ± --- | ± --- | 3 PLACES | ± --- | ± --- | 2 PLACES | ± --- | ± --- | 1 PLACE | ± --- | ± --- | 0 PLACE | ± --- | ± --- | DIMENSION STYLE MM ONLY DRAWN BY: JFISCHER01 DATE: 2012/11/21 CHECKED BY: DATE: APPROVED BY: KDEKOSKI DATE: 2012/12/21 | SCALE: 5:1 DESIGN UNITS: METRIC THIRD ANGLE PROJECTION | TITLE: 34 & 38 CKT MINISO RIGHT ANGLE HEADER ASSEMBLY SALES DRAWING molex MATERIAL NO.: SEE CHART DOCUMENT NO.: SD-34961-030 | SHEET NO.: 2 OF 2 |
|---|--------------------------------------|--|-------|----|------|----------|-------|-------|----------|-------|-------|----------|-------|-------|---------|-------|-------|---------|-------|-------|---|--|--|----------------------|
| | | mm | INCH | | | | | | | | | | | | | | | | | | | | | |
| | 4 PLACES | ± --- | ± --- | | | | | | | | | | | | | | | | | | | | | |
| | 3 PLACES | ± --- | ± --- | | | | | | | | | | | | | | | | | | | | | |
| 2 PLACES | ± --- | ± --- | | | | | | | | | | | | | | | | | | | | | | |
| 1 PLACE | ± --- | ± --- | | | | | | | | | | | | | | | | | | | | | | |
| 0 PLACE | ± --- | ± --- | | | | | | | | | | | | | | | | | | | | | | |
| DRAFT WHERE APPLICABLE MUST REMAIN WITHIN DIMENSIONS | | | | | | | | | | | | | | | | | | | | | | | | |
| THIS DRAWING CONTAINS INFORMATION THAT IS PROPRIETARY TO MOLEX INCORPORATED AND SHOULD NOT BE USED WITHOUT WRITTEN PERMISSION | | | | | | | | | | | | | | | | | | | | | | | | |
| SIZE: D | | | | | | | | | | | | | | | | | | | | | | | | |