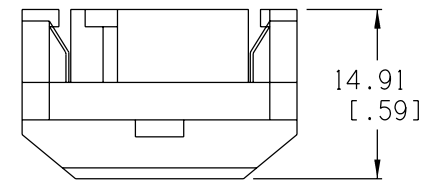
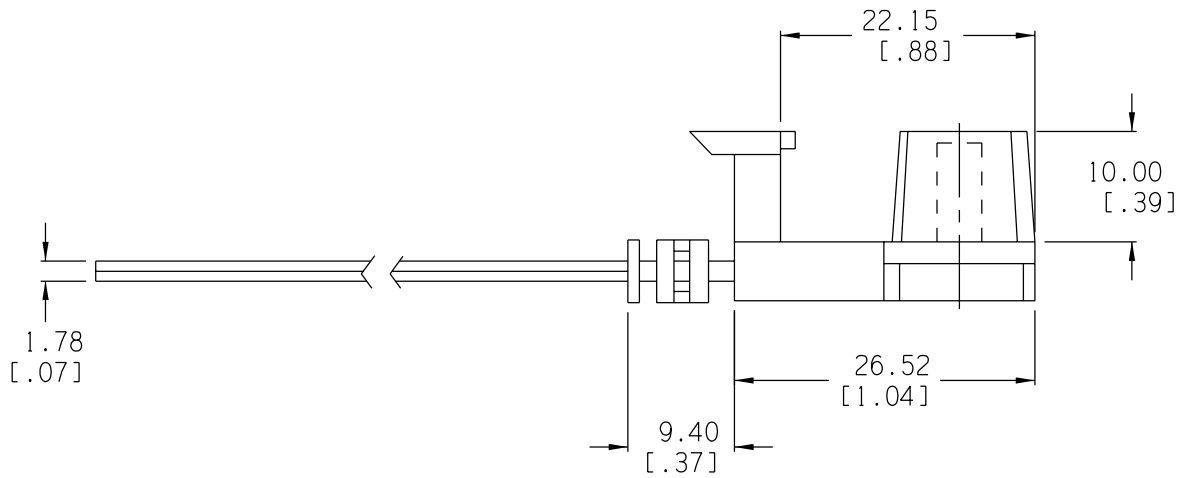



Date	SYM	REVISION RECORD	AUTH	DR.	CK.
1/14/06	A	Added "ROHS COMPLIANT"	T.B.	B.S.	



HOUSING: BLACK PLASTIC  
 CORD: UL2468, 300V, 80°C, 22-24AWG  
 PASSES UL FLAME TEST VW-1  
 FILE NO. E11278 OR EQUAL  
 ROHS COMPLIANT

Tolerance (Inches)	 Memory Protection Devices, Inc. 200 Broad Hollow Road, Farmingdale, New York 11735	Scale	Drawn By B.S.
Decimal ±.5 (.020)		Approved By T.B.	
Fractional ± .8 (.030)	Title LEAD ACID BATTERY CLIP		
Angular ± 3°	Date 1/14/06	Drawing Number ZA5350B	