

THIS DRAWING IS UNPUBLISHED.

RELEASED FOR PUBLICATION

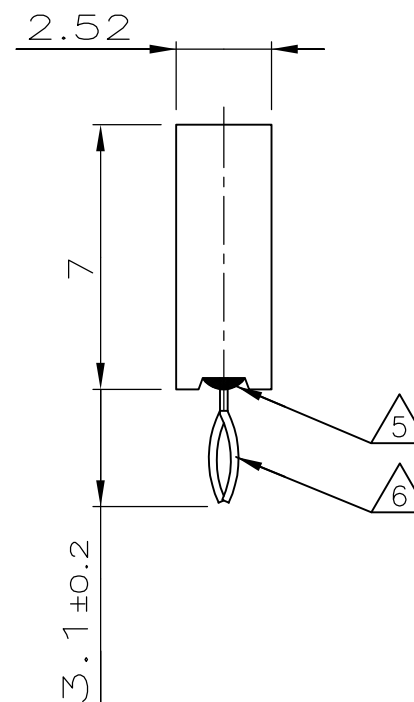
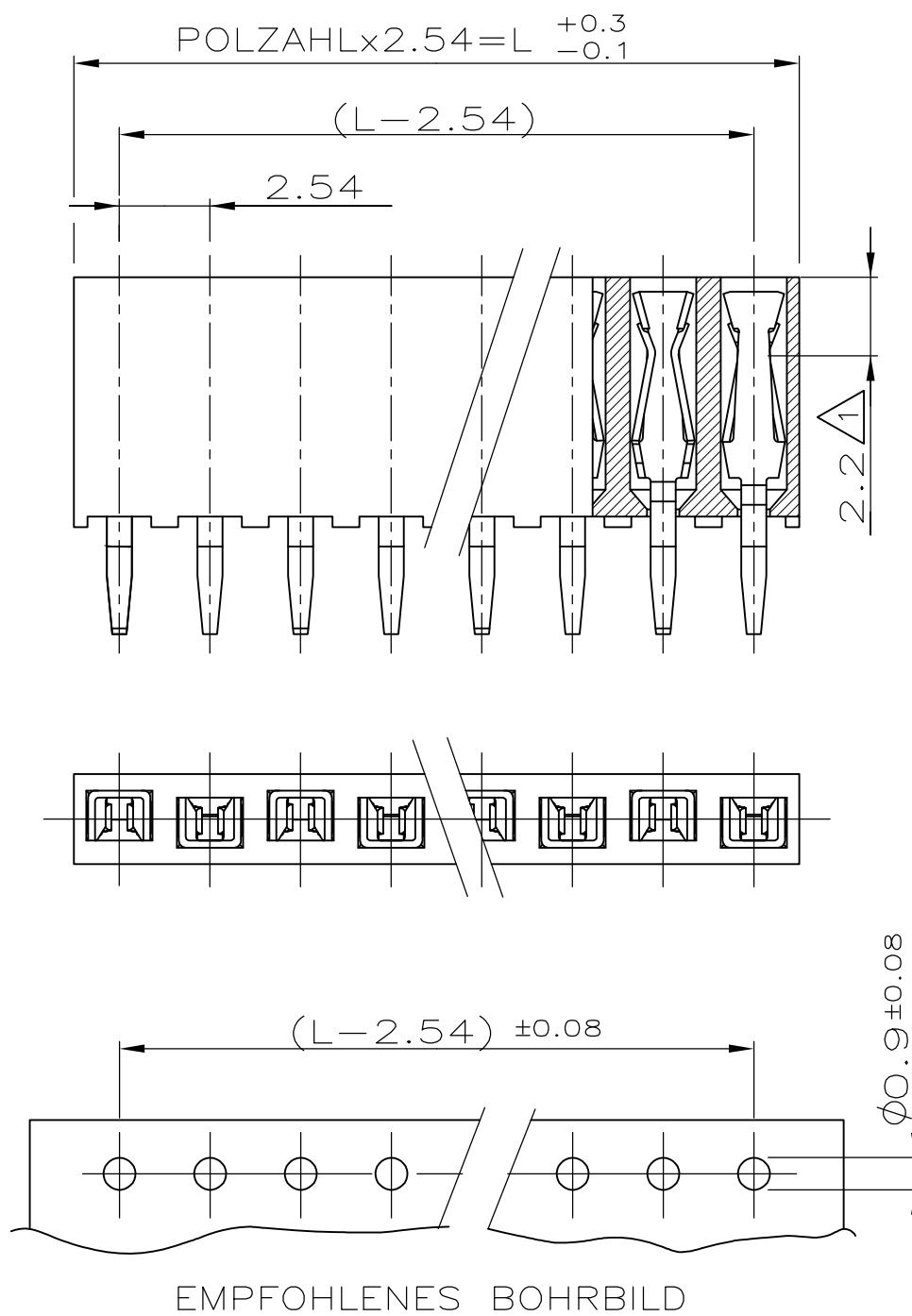
-. -. .

© COPYRIGHT - By -

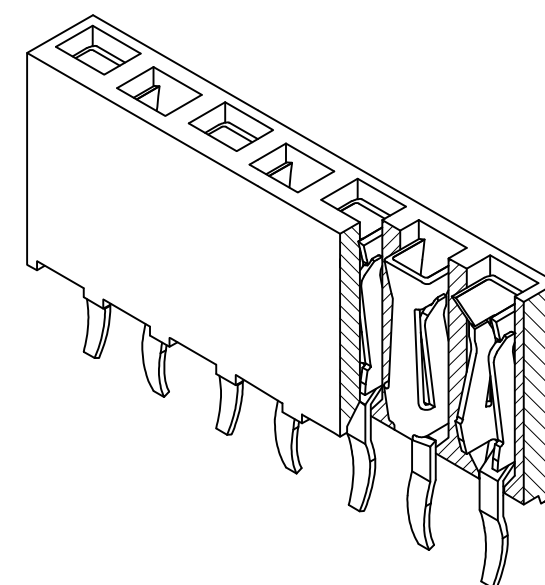
ALL RIGHTS RESERVED.

LOC	DIST	REVISIONS			
P	LTR	DESCRIPTION	DATE	DWN	APVD
A1	-	C	HOUSING RESIN MATERIAL CHANGED	25DEC2013	TJ JK

POLZ.	L	BESTELL-NR.	
-	-	-	
2	5.08	215 302-2	
3	7.62	-3	OBSOLETE
4	10.16	-4	OBSOLETE
5	12.70	-5	
6	15.24	-6	OBSOLETE
7	17.78	-7	
8	20.32	-8	OBSOLETE
9	22.86	-9	
10	25.40	-1	OBSOLETE
11	27.94	1-	-1
12	30.48	1-	-2
13	33.02	1-	-3
14	35.56	1-	-4
15	38.10	1-	-5
16	40.64	-1	-6
17	43.18	1-	-7
18	45.72	1-	-8
19	48.26	1-	-9
20	50.80	2-	-0
21	53.34	-2	-1
22	55.88	-2	-2
23	58.42	-2	-3
24	60.96	-2	-4
25	63.50	-2	-5
26	66.04	-2	-6
27	68.58	-2	-7
28	71.12	-2	-8
29	73.66	-2	-9
30	76.20	-3	-0
31	78.74	-3	-1
32	81.28	3-	-2
33	83.82	-3	-3
34	86.36	-3	-4
35	88.90	-3	-5
36	91.44	3- 215 302-6	



- △ CONTACT-POINT
- △ OBERFLÄCHE 2.5-4.0µm Sn ÜBER 0.5µm Ni
- 3. EMPFOHLENE LEITERPLATTENDICKE 1.6mm
- 4. STECKBAR MIT MODU II STIFTEN ϕ/\square 0.63
- △ HOCH TEMPERATURBESTÄNDIGER KLEBER
- △ FIXIERUNG IN LEITERPLATTE DURCH BIEGUNG DER KONTAKTENDEN
- 7. HV100 BUCHSENSTECKER VERPACKT IN ANTI-STATISCHEM BLISTER TRAY
- △ OBSOLETE PARTS: OBSOLETE CIS STREAMLINING PER D.RENAUD/D.SINISI



ZEICHNUNG GÜLTIG AB KW 06/96

THIS DRAWING IS A CONTROLLED DOCUMENT.		DWN	WRULICH	13.12.88	STE TE Connectivity				
		CHK	M.SCHAARSCHMIDT	06.12.90					
DIMENSIONS: mm		TOLERANCES UNLESS OTHERWISE SPECIFIED: ±0.1mm			NAME				
		0 PLC ± - 1 PLC ± - 2 PLC ± - 3 PLC ± - 4 PLC ± - ANGLES ± -			HV 100 VERTICAL CONNECTOR, SINGLE ROW, 7.0mm HEIGHT, TOP ENTRY, TIN (SEALED VERSION)				
MATERIAL		FINISH			PRODUCT SPEC	SIZE	CAGE CODE	DRAWING NO	RESTRICTED TO
SEE TABLE		SEE TABLE			108-19056	A3	00779	C-215302	-
PART DESCRIPTION		MATERIAL			APPLICATION SPEC			SCALE	
HV 100 CONTACT		Cu Sn			-			5:1	
HV 100 HOUSING		PBTP GV			-			SHEET	
		GRÜN			-			1 OF 1	
PART DESCRIPTION		MATERIAL			FINISH			REV	
		SEE TABLE			SEE TABLE			C	