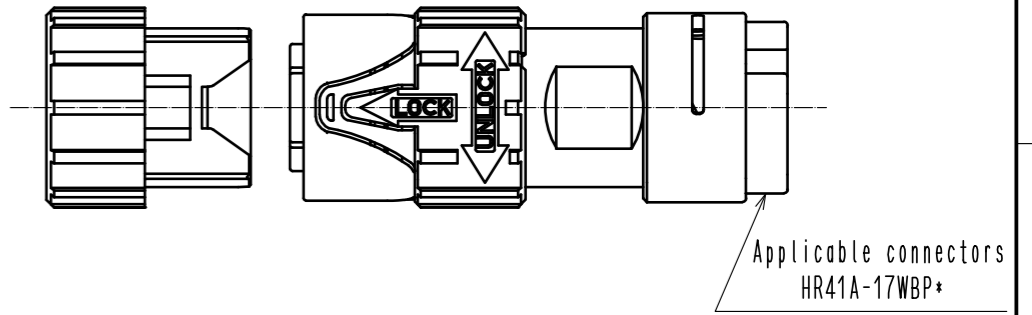
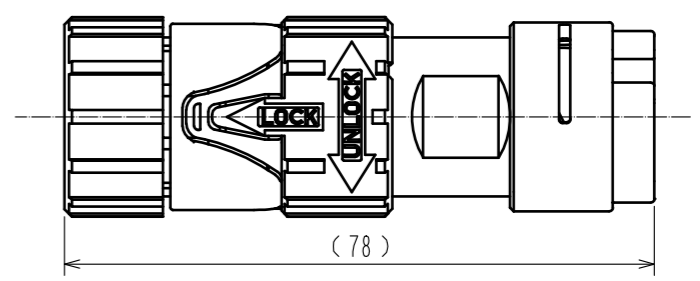


How to attach the cap
Before attachment (1:1) Change in geometry



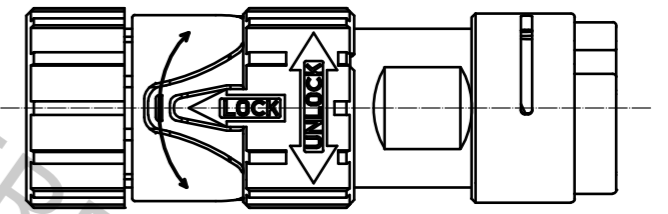
Attachment completed

Snap cap into plug until click sound is generated.



Removal

Rotate the plug sleeve to the direction as shown below with the arrow to unlock and remove the cap.
Rotation angle : approx. 20° to 40° (added)



Oblique drawing
*Over rotation of the cap during unlocking operation locks the cap again. (added)

1	PBT	(Black)UL94V-0						
NO.	MATERIAL	FINISH .	REMARKS	NO.	MATERIAL	FINISH .	REMARKS	
UNITS		SCALE	COUNT	DESCRIPTION OF REVISIONS		DESIGNED	CHECKED	DATE
mm		2 : 1	2	DIS-C-0000068		HN. TANAKA	HY. KISHI	15. 01. 29
HRS HIROSE ELECTRIC CO., LTD.		APPROVED : SU. OBARA	13. 12. 26	DRAWING NO.		EDC3-118455-00		
		CHECED : HY. KOBAYASHI	13. 12. 26	PART NO.		HR41A-17WBP-C		
		DESIGNED : HN. TANAKA	13. 12. 24	CODE NO.		CL141-0219-1-00		
		DRAWN : HN. TANAKA	13. 12. 24			1/1		