

IEC Appliance Inlet C14 or C18 with Filter, ECO design, Front- or Rear Side Mounting



Front side mounting with plastic flange



Snap-in mounting
 Quick connect terminals 6.3 x 0.8 mm
 Protection class II



Screw-on mounting
 with wires (stranded)



Approvals and Compliances

Description

- Panel Mount :
 Screw-on version from front or rear side, snap-in version from front side, PCB Version from rear side
- 2 Functions :
 Appliance Inlet protection class I or II , Line filter in standard and medical version
- Solder, quick connect or wire (stranded)
- PCB Mounting
- Earth Terminal

Unique Selling Proposition

- Various variants
- Metal flange for optimal shielding
- Compact design
- Variants for protection class I and II

Characteristics

- Compact high performance filter
- Optimal shielding due to completely closed filter case, unpotted
- Suitable for assembly in metal plated plastic housings
- Suitable for use in equipment according to IEC/UL 60950
- Suitable for use in medical equipment according to IEC/UL 60601-1

Other versions on request

- Snap-in for panel thickness >2mm to 3mm
- flexible wire with various lengths
- Class X1- and Y1-capacitors for enhanced withstand voltage
- Medical version M80
- Variant with notch for V-Lock mating Cordsets

References

Alternative: version without line filter [6100-3](#); [6100-4](#); [6102-3](#); [6102-5](#)

Weblinks

[pdf datasheet](#), [html-datasheet](#), [General Product Information](#), [Distributor-Stock-Check](#), [Accessories](#), [Detailed request for product](#), [Microsite](#)

Newly available variants corresponding to V-Lock mating cordset. The connector is equipped with a notch intended for use with the latching cordset. The cord latching system prevents against accidental removal of the cordset.

Technical Data

Ratings IEC	1 - 10A @ Ta 40 °C / 250VAC; 50Hz
Ratings UL/CSA	1 - 15A @ Ta 40 °C / 250VAC; 60Hz
Leakage Current	standard < 0.5mA (250V / 60Hz) medical < 5 µA (250 V / 60 Hz)
Dielectric Strength	> 1.7kVDC between L-N > 2.7kVDC between L/N-PE Test voltage (2sec)
Allowable Operation Temperature	-25 °C to 85 °C
Climatic Category	25/085/21 acc. to IEC 60068-1
IP-Protection	from front side IP 40 acc. to IEC 60529
Protection Class	Suitable for appliances with protection class I or II acc. to IEC 61140
Terminal	Quick connect terminals 6.3 x 0.8 mm Solder terminals Flexible wire AWG18 (15A AWG16), 150 mm
Panel Thickness S	Screw with plastic flange: max 8 mm Mounting screw torque max 0.5Nm Snap-in: 0.8mm to 2 mm (all steps with one variant)
Material: Housing	Themoplast / steel tin-plated, black / metallic, UL 94V-0

appliance inlet/-outlet	C14 / C18 acc. to IEC 60320-1, UL 498, CSA C22.2 no. 42 (for cold conditions) pin-temperature 70 °C, 10A, Protection Class I or II
Line Filter	Standard and Medical Version, IEC 60939, UL 1283, CSA C22.2 no. 8 Technical Details
MTBF	> 3'000'000h acc. to MIL-HB-217 F



Approvals and Compliances

Detailed information on product approvals, code requirements, usage instructions and detailed test conditions can be looked up in [Details about Approvals](#)

Approvals







The approval mark is used by the testing authorities to certify compliance with the safety requirements placed on electronic products.

Approval Reference Type: 5120

Approval Logo	Certificates	Certification Body	Description
	VDE Approvals	VDE	Certificate Number: 40016382
	UL Approvals	UL	UL File Number: E72928
	CQC Approvals	CQC	CQC File Number: CQC17001171087



Product standards

Product standards that are referenced

Organization	Design	Standard	Description
	Designed according to	IEC 60320-1	Appliance couplers for household and similar general purposes
	Designed according to	IEC 60939	Passive filters for suppressing electromagnetic interference
	Designed according to	UL 498	Standard for Attachment Plugs and Receptacles
	Designed according to	UL 1283	Electromagnetic interference filters
	Designed according to	CSA C22.2 no. 42	General Use Receptacles, Attachment Plugs, and Similar Wiring Devices
	Designed according to	CSA C22.2 no. 8	Electromagnetic interference (EMI) filters







Application standards

Application standards where the product can be used

Organization	Design	Standard	Description
	Designed for applications acc.	IEC/UL 60950	IEC 60950-1 includes the basic requirements for the safety of information technology equipment.
	Designed for applications acc.	IEC 60601-1	Medical electrical equipment - Part 1: General requirements for basic safety and essential performance

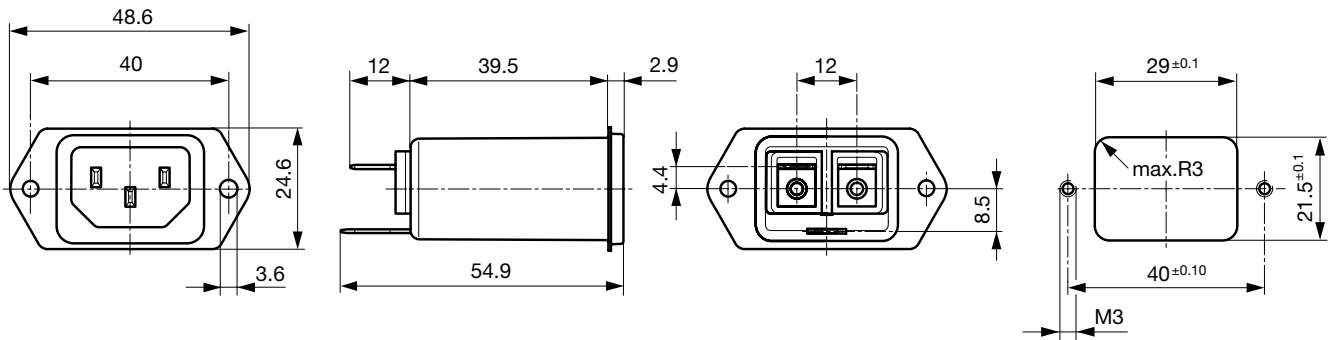
Compliances

The product complies with following Guide Lines

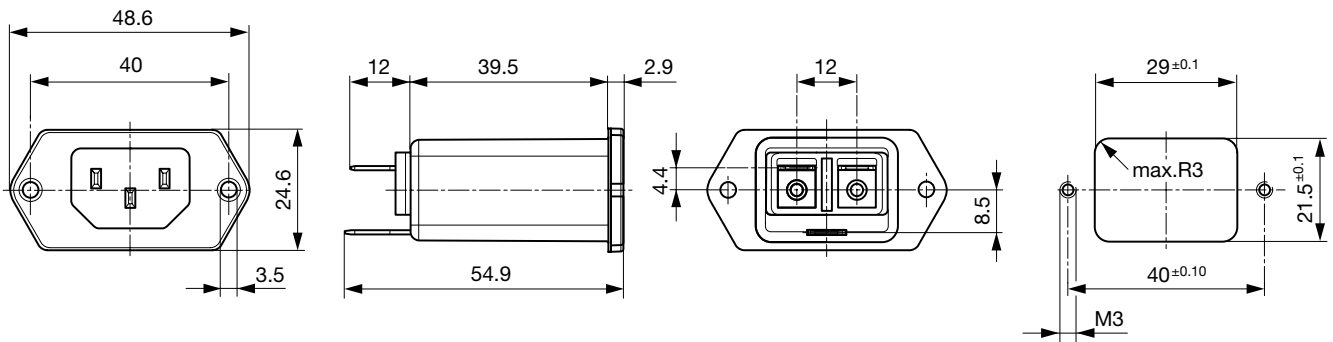
Identification	Details	Initiator	Description
	CE declaration of conformity	SCHURTER AG	The CE marking declares that the product complies with the applicable requirements laid down in the harmonisation of Community legislation on its affixing in accordance with EU Regulation 765/2008.
	RoHS	SCHURTER AG	EU Directive RoHS 2011/65/EU
	China RoHS	SCHURTER AG	The law SJ / T 11363-2006 (China RoHS) has been in force since 1 March 2007. It is similar to the EU directive RoHS.
	REACH	SCHURTER AG	On 1 June 2007, Regulation (EC) No 1907/2006 on the Registration, Evaluation, Authorization and Restriction of Chemicals 1 (abbreviated as "REACH") entered into force.
	MicrositeV-Lock	SCHURTER AG	V-Lock system are based on a matching plug-dose combination. The connector is equipped with a notch intended for use with the latching cordset. The cord latching system prevents against accidental removal of the cordset.
	Medical Equipment	SCHURTER AG	Suitable for use in medical equipment according to IEC/UL 60601-1

Dimensions [mm]

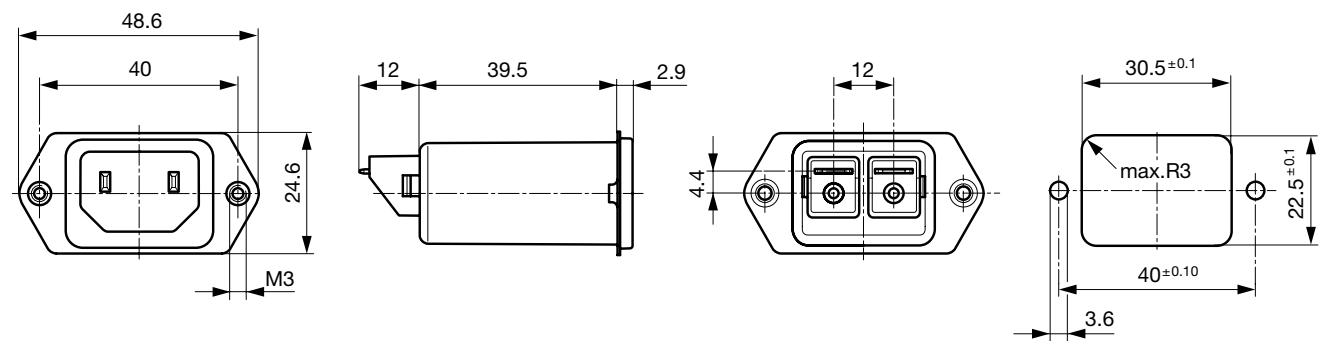
Front or rear side mounting for screws with nuts or blind rivets (panel cutout for frontside mounting)



Front side mounting with plastic flange

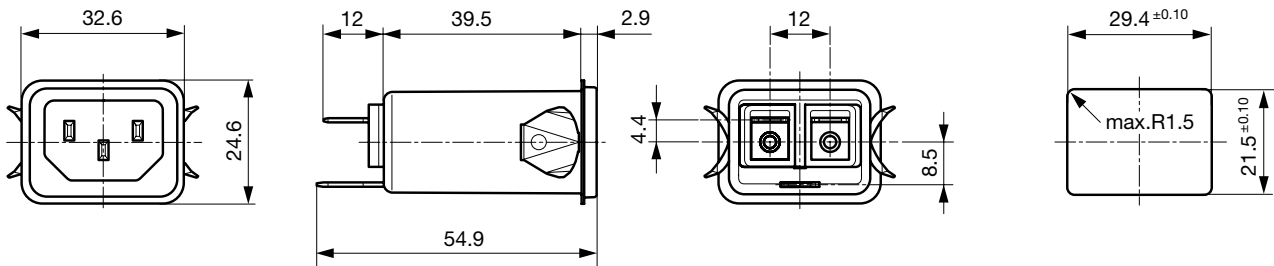


Rear side mounting with pre-formed, threaded holes for M3 screws (panel cutout for rear side mounting)



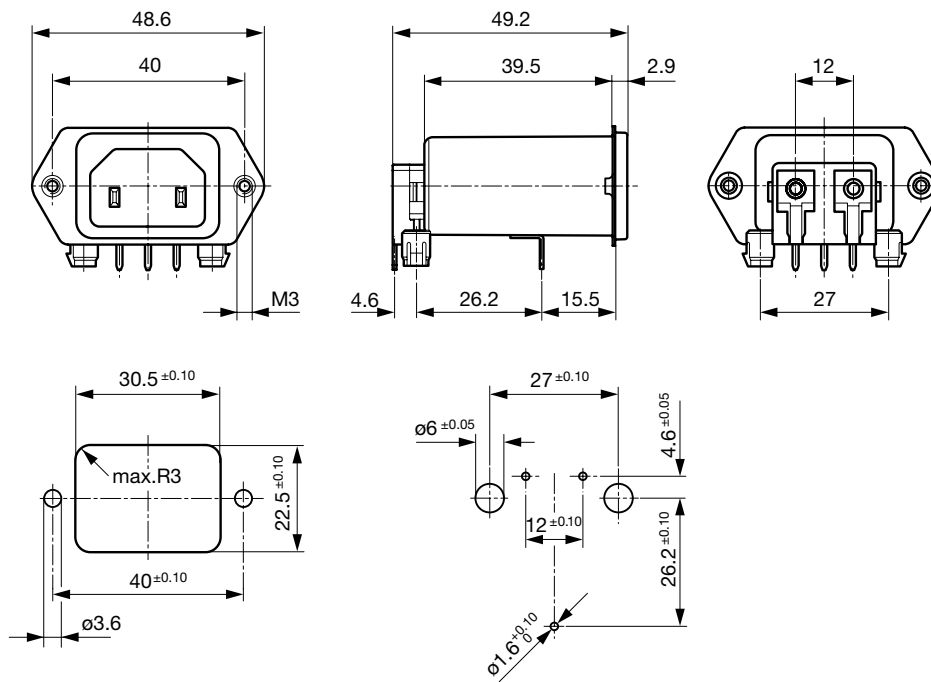
Dimensions for class II version also apply to class I

Snap-in mounting from front side

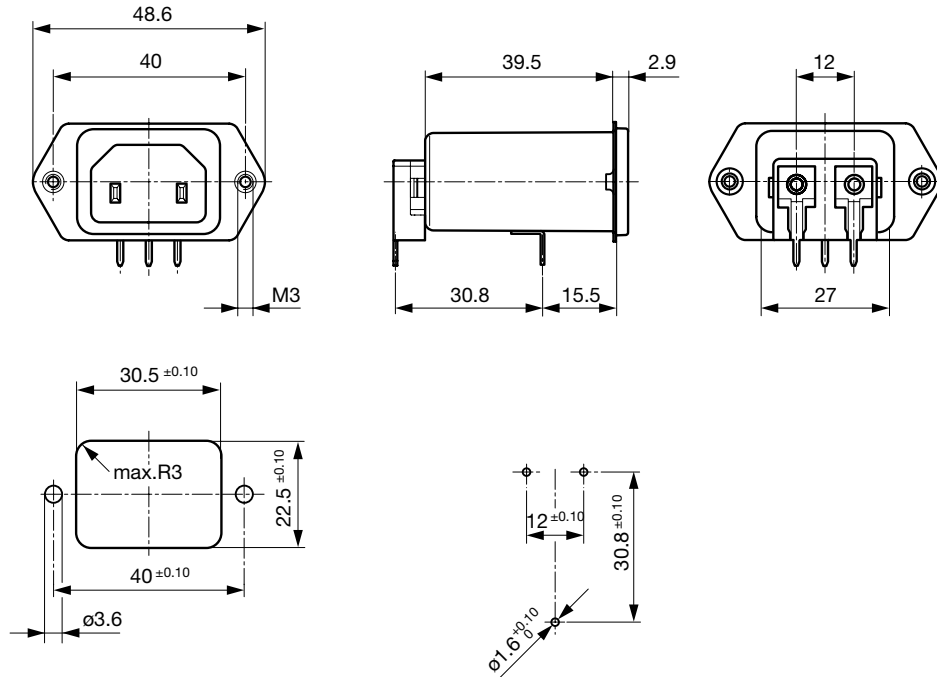


Dimensions for class I version also apply class II

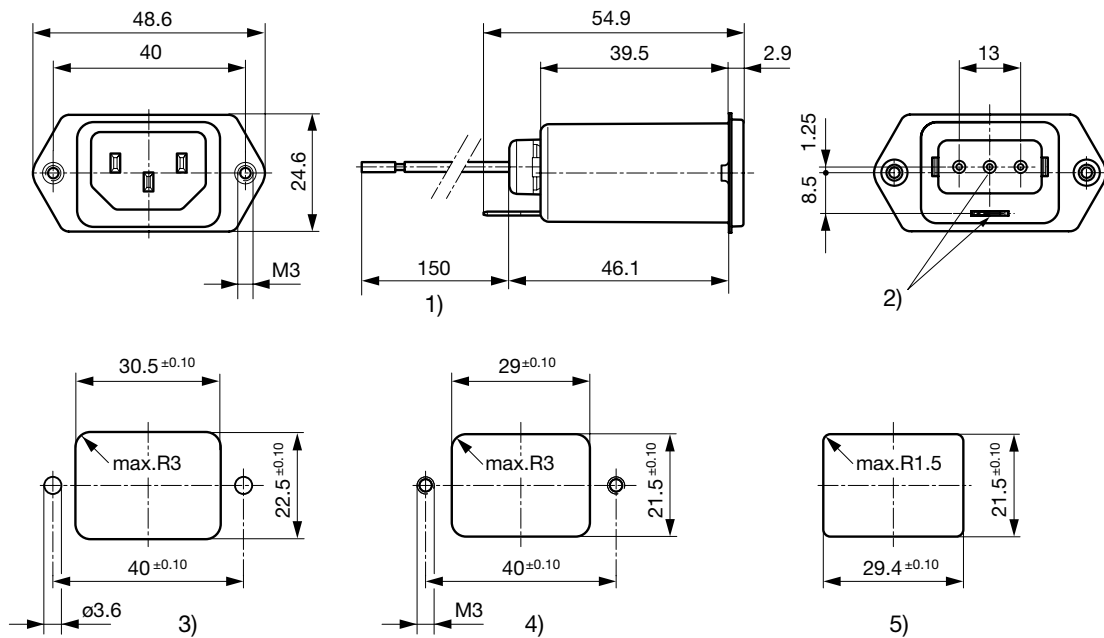
PCB snap-in rear side mounting, protection class II



PCB rear side mounting, protection class II



Screw and snap-in mounting with flexible wire



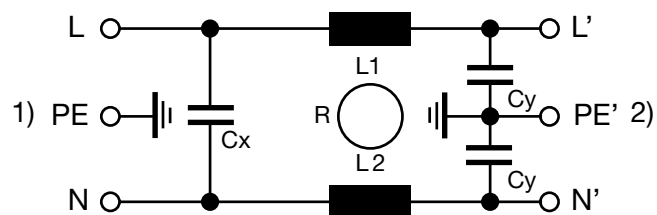
- 1) Flexible wire, standard length 150 mm or special length on request
- 2) Nonexistent for protection class II
- 3) Panel cut-out screw-on version, back-side mounting
- 4) Panel cut-out screw-on version, front- or back-side mounting
- 5) Panel cut-out snap-in version, front-side mounting

Technical Data of Filter-Components

Rated Current [A]	Filter-Type	Inductances L [mH]	Capacitance CX [nF]	Capacitance CY [nF]	R [MΩ]
1	Standard Version	2 x 12	100	2.2	-
2	Standard Version	2 x 5.2	100	2.2	-
4	Standard Version	2 x 2	100	2.2	-
6	Standard Version	2 x 0.8	100	2.2	-
10	Standard Version	2 x 0.4	100	2.2	-
15	Standard Version	2 x 0.1	100	2.2	-
1	Medical Version (M5)	2 x 12	100	-	1
2	Medical Version (M5)	2 x 5.2	100	-	1
4	Medical Version (M5)	2 x 2	100	-	1
6	Medical Version (M5)	2 x 0.8	100	-	1
10	Medical Version (M5)	2 x 0.4	100	-	1
15	Medical Version (M5)	2 x 0.1	100	-	1
1	Bleed Resistor Version	2 x 12	100	2.2	1
2	Bleed Resistor Version	2 x 5.2	100	2.2	1
4	Bleed Resistor Version	2 x 2	100	2.2	1
6	Bleed Resistor Version	2 x 0.8	100	2.2	1
10	Bleed Resistor Version	2 x 0.4	100	2.2	1
15	Bleed Resistor Version	2 x 0.1	100	2.2	1

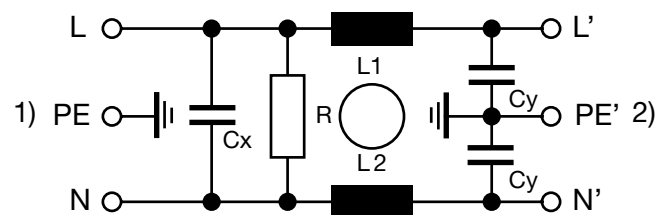
Diagrams

Standard version



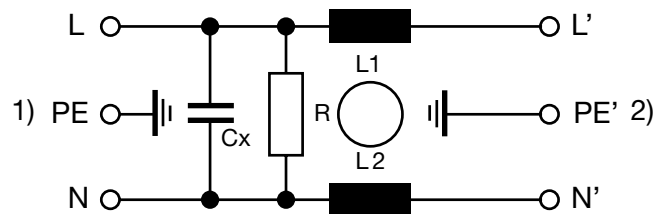
1) Line
2) Load

Bleed resistor version / medical version M80



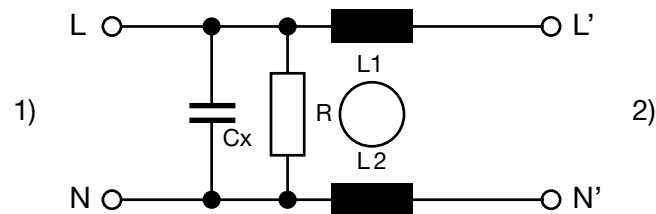
1) Line
2) Load

Medical version M5



1) Line
2) Load

Medical version M5, prot. class II

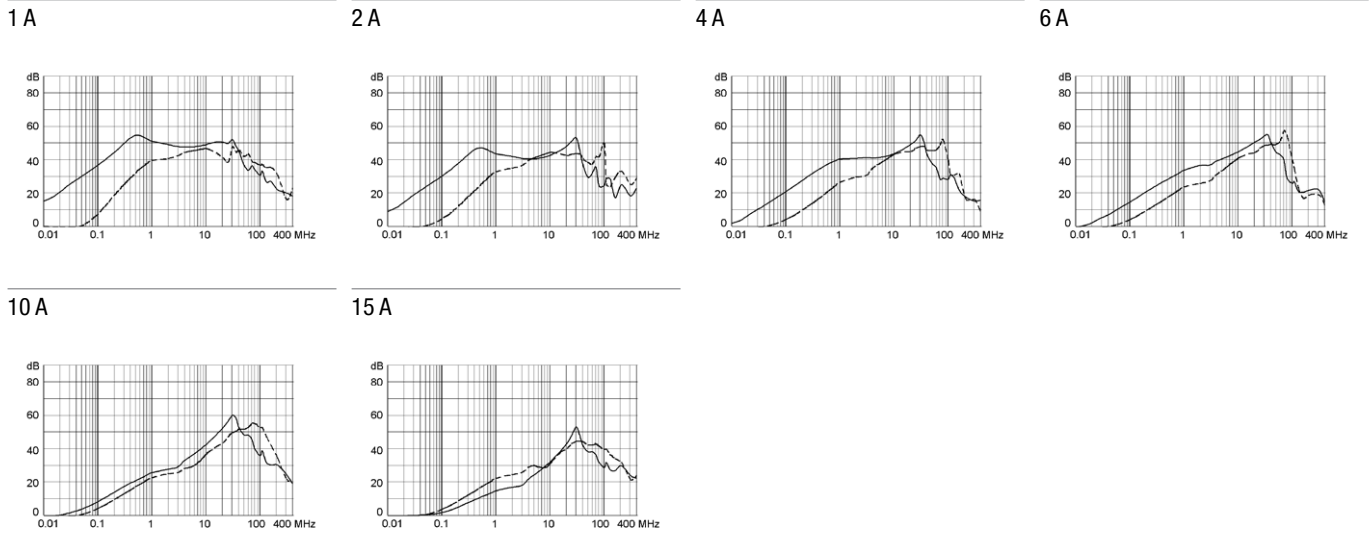


1) Line
2) Load

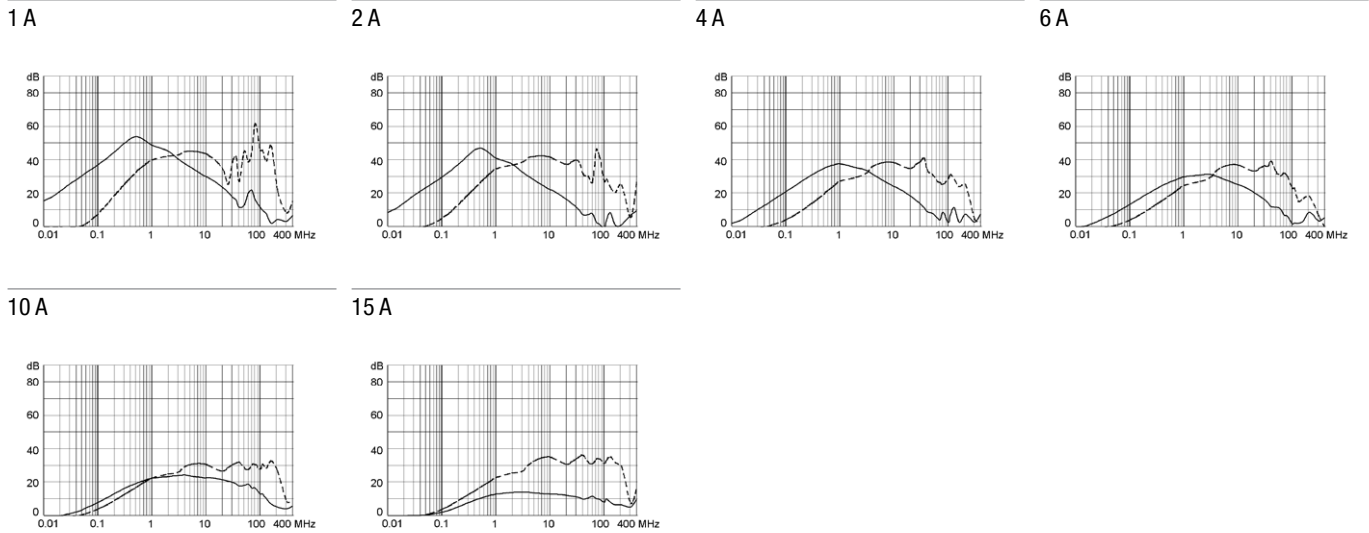
Attenuation Loss

--- 50Ω differential mode ____ 50Ω common mode

Standard version



Medical version (M5)



All Variants

Rated Current [A]	Filter-Type	Mounting	Mounting side	Terminal	Protection Class	V-Lock	Order Number
6	Standard Version	Snap-in 2 - 3 mm	Front Side	Flexible wire	I		5120.3034.0
1	Standard Version	Snap-in	Front Side	Quick connect	I		5120.2000.0
2	Standard Version	Snap-in	Front Side	Quick connect	I		5120.2001.0
4	Standard Version	Snap-in	Front Side	Quick connect	I		5120.2003.0
6	Standard Version	Snap-in	Front Side	Quick connect	I		5120.2004.0
10	Standard Version	Snap-in	Front Side	Quick connect	I		5120.2006.0
10	Standard Version	Snap-in	Front Side	Flexible wire and	I		5120.2046.0
15	Standard Version	Snap-in	Front Side	Quick connect	I		5120.2007.0
1	Standard Version	Screw/PCB snap-in	Rear Side	PCB pin and earth	I	●	5120.5070.0
2	Standard Version	Screw/PCB snap-in	Rear Side	PCB pin and earth	I		5120.5071.0
4	Standard Version	Screw/PCB snap-in	Rear Side	PCB pin and earth	I		5120.5073.0
6	Standard Version	Screw/PCB snap-in	Rear Side	PCB pin and earth	I		5120.5074.0
10	Standard Version	Screw/PCB snap-in	Rear Side	PCB pin and earth	I		5120.5076.0
15	Standard Version	Screw/PCB snap-in	Rear Side	PCB pin and earth	I		5120.5077.0

Rated Current [A]	Filter-Type	Mounting	Mounting side	Terminal	Protection Class	V-Lock	Order Number
1	Standard Version	Screw/PCB	Rear Side	PCB pin and earth	I		5120.4070.0
2	Standard Version	Screw/PCB	Rear Side	PCB pin and earth	I		5120.4071.0
4	Standard Version	Screw/PCB	Rear Side	PCB pin and earth	I		5120.4073.0
6	Standard Version	Screw/PCB	Rear Side	PCB pin and earth	I		5120.4074.0
10	Standard Version	Screw/PCB	Rear Side	PCB pin and earth	I		5120.4076.0
15	Standard Version	Screw/PCB	Rear Side	PCB pin and earth	I		5120.4077.0
1	Standard Version	Screw-on/Rivet	Front-/Rear-Side	Quick connect	I		5120.0000.0
1	Standard Version	Screw-on/Rivet	Front-/Rear-Side	Solder terminals	I		5120.0010.0
2	Standard Version	Screw-on/Rivet	Front-/Rear-Side	Quick connect	I		5120.0001.0
4	Standard Version	Screw-on/Rivet	Front-/Rear-Side	Quick connect	I		5120.0003.0
6	Standard Version	Screw-on/Rivet	Front-/Rear-Side	Quick connect	I		5120.0004.0
10	Standard Version	Screw-on/Rivet	Front-/Rear-Side	Quick connect	I		5120.0006.0
15	Standard Version	Screw-on/Rivet	Front-/Rear-Side	Quick connect	I		5120.0007.0
15	Standard Version	Screw-on/Rivet	Front-/Rear-Side	Flexible wire	I		5120.0057.0
1	Standard Version	Screw with plastic flange	Front Side	Quick connect	I	●	3-101-140
2	Standard Version	Screw with plastic flange	Front Side	Quick connect	I	●	3-101-141
4	Standard Version	Screw with plastic flange	Front Side	Quick connect	I	●	3-101-142
6	Standard Version	Screw with plastic flange	Front Side	Quick connect	I	●	3-101-143
10	Standard Version	Screw with plastic flange	Front Side	Quick connect	I	●	3-100-776
15	Standard Version	Screw with plastic flange	Front Side	Quick connect	I	●	3-101-144
1	Standard Version	Screw	Rear Side	Quick connect	I		5120.1000.0
2	Standard Version	Screw	Rear Side	Quick connect	I		5120.1001.0
4	Standard Version	Screw	Rear Side	Quick connect	I		5120.1003.0
6	Standard Version	Screw	Rear Side	Quick connect	I		5120.1004.0
10	Standard Version	Screw	Rear Side	Quick connect	I		5120.1006.0
10	Standard Version	Screw	Rear Side	Quick connect	I	●	5120.1006.0.21
10	Standard Version	Screw	Rear Side	Flexible wire and	I		5120.1046.0
15	Standard Version	Screw	Rear Side	Quick connect	I		5120.1007.0
15	Standard Version	Screw	Rear Side	Quick connect	I	●	5120.1007.0.21
1	Medical Version (M5)	Snap-in	Front Side	Quick connect	I		5120.2300.0
2	Medical Version (M5)	Snap-in	Front Side	Quick connect	I		5120.2301.0
4	Medical Version (M5)	Snap-in	Front Side	Quick connect	I		5120.2303.0
6	Medical Version (M5)	Snap-in	Front Side	Quick connect	I		5120.2304.0
10	Medical Version (M5)	Snap-in	Front Side	Quick connect	I		5120.2306.0
15	Medical Version (M5)	Snap-in	Front Side	Quick connect	I		5120.2307.0
4	Medical Version (M5)	Screw/PCB snap-in	Rear Side	PCB pin and earth	I		5120.5373.0
6	Medical Version (M5)	Screw/PCB snap-in	Rear Side	PCB pin and earth	I		5120.5374.0
4	Medical Version (M5)	Screw/PCB	Rear Side	PCB pin and earth	I		5120.4373.0
6	Medical Version (M5)	Screw/PCB	Rear Side	PCB pin and earth	I		5120.4374.0
1	Medical Version (M5)	Screw-on/Rivet	Front-/Rear-Side	Quick connect	I		5120.0300.0
2	Medical Version (M5)	Screw-on/Rivet	Front-/Rear-Side	Quick connect	I		5120.0301.0
4	Medical Version (M5)	Screw-on/Rivet	Front-/Rear-Side	Quick connect	I		5120.0303.0
4	Medical Version (M5)	Screw-on/Rivet	Front-/Rear-Side	Flexible wire and	I		5120.0343.0
6	Medical Version (M5)	Screw-on/Rivet	Front-/Rear-Side	Quick connect	I		5120.0304.0
10	Medical Version (M5)	Screw-on/Rivet	Front-/Rear-Side	Quick connect	I		5120.0306.0
15	Medical Version (M5)	Screw-on/Rivet	Front-/Rear-Side	Quick connect	I		5120.0307.0
1	Medical Version (M5)	Screw with plastic flange	Front Side	Quick connect	I	●	3-101-145
2	Medical Version (M5)	Screw with plastic flange	Front Side	Quick connect	I	●	3-101-146
4	Medical Version (M5)	Screw with plastic flange	Front Side	Quick connect	I	●	3-100-794
6	Medical Version (M5)	Screw with plastic flange	Front Side	Quick connect	I	●	3-101-147
10	Medical Version (M5)	Screw with plastic flange	Front Side	Quick connect	I	●	3-101-148
15	Medical Version (M5)	Screw with plastic flange	Front Side	Quick connect	I	●	3-101-149
1	Medical Version (M5)	Screw	Rear Side	Quick connect	I		5120.1300.0
2	Medical Version (M5)	Screw	Rear Side	Quick connect	I		5120.1301.0

Rated Current [A]	Filter-Type	Mounting	Mounting side	Terminal	Protection Class	V-Lock	Order Number
4	Medical Version (M5)	Screw	Rear Side	Quick connect	I		5120.1303.0
6	Medical Version (M5)	Screw	Rear Side	Quick connect	I		5120.1304.0
10	Medical Version (M5)	Screw	Rear Side	Quick connect	I		5120.1306.0
10	Medical Version (M5)	Screw	Rear Side	Quick connect	I	●	5120.1306.0.21
10	Medical Version (M5)	Screw	Rear Side	Flexible wire and	I		5120.1346.0
15	Medical Version (M5)	Screw	Rear Side	Quick connect	I		5120.1307.0
1	Medical Version (M5)	Snap-in	Front Side	Quick connect	II		5120.2300.1
2	Medical Version (M5)	Snap-in	Front Side	Quick connect	II		5120.2301.1
4	Medical Version (M5)	Snap-in	Front Side	Quick connect	II		5120.2303.1
6	Medical Version (M5)	Snap-in	Front Side	Quick connect	II		5120.2304.1
10	Medical Version (M5)	Snap-in	Front Side	Quick connect	II		5120.2306.1
15	Medical Version (M5)	Snap-in	Front Side	Quick connect	II		5120.2307.1
4	Medical Version (M5)	Screw/PCB snap-in	Rear Side	PCB pin and earth	II		5120.5373.1
6	Medical Version (M5)	Screw/PCB snap-in	Rear Side	PCB pin and earth	II		5120.5374.1
10	Medical Version (M5)	Screw/PCB snap-in	Rear Side	PCB pin and earth	II		5120.5376.1
4	Medical Version (M5)	Screw/PCB	Rear Side	PCB pin and earth	II		5120.4373.1
6	Medical Version (M5)	Screw/PCB	Rear Side	PCB pin and earth	II		5120.4374.1
2	Medical Version (M5)	Screw-on/Rivet	Front-/Rear-Side	Quick connect	II		5120.0301.1
4	Medical Version (M5)	Screw-on/Rivet	Front-/Rear-Side	Quick connect	II		5120.0303.1
6	Medical Version (M5)	Screw-on/Rivet	Front-/Rear-Side	Quick connect	II		5120.0304.1
10	Medical Version (M5)	Screw-on/Rivet	Front-/Rear-Side	Solder terminals	II		5120.0316.1
1	Medical Version (M5)	Screw	Rear Side	Quick connect	II		5120.1300.1
2	Medical Version (M5)	Screw	Rear Side	Quick connect	II		5120.1301.1
2	Medical Version (M5)	Screw	Rear Side	Solder terminals	II		5120.1311.1
4	Medical Version (M5)	Screw	Rear Side	Quick connect	II		5120.1303.1
6	Medical Version (M5)	Screw	Rear Side	Quick connect	II		5120.1304.1
10	Medical Version (M5)	Screw	Rear Side	Quick connect	II		5120.1306.1
2	Bleed Resistor Version	Snap-in	Front Side	Quick connect	I		5120.2201.0
4	Bleed Resistor Version	Snap-in	Front Side	Quick connect	I		5120.2203.0
6	Bleed Resistor Version	Snap-in	Front Side	Quick connect	I		5120.2204.0
10	Bleed Resistor Version	Snap-in	Front Side	Quick connect	I		5120.2206.0
15	Bleed Resistor Version	Snap-in	Front Side	Quick connect	I		5120.2207.0
15	Bleed Resistor Version	Snap-in	Front Side	Quick connect	I	●	5120.2207.0.21
10	Bleed Resistor Version	Screw-on/Rivet	Front-/Rear-Side	Solder terminals	I		5120.0216.0

Most Popular.

Availability for all products can be searched real-time: <https://www.schurter.com/en/Stock-Check/Stock-Check-SCHURTER>

- 15 A version only according UL/CSA

- Type for screw-on mounting from rear side has pre-threaded holes for M3 screws

Variants with plastic flange are all V-Lock versions.

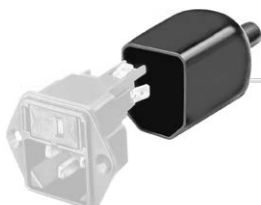
Packaging unit 10 Pcs

Accessories

Description



Wire Harness
 Wire harness for SCHURTER products



Assorted Covers
 Rear Cover

0859.0048



Cord retaining kits
 Cord retaining strain relief

Flat head, E	4700.0005
Flat head, G	4700.0007

Mating Outlets/Connectors

Category / Description

[Appliance Outlet Overview complete](#)



IEC Appliance Outlet F, Screw-on Mounting, Front Side, Solder Terminal	4787
IEC Appliance Outlet F, Snap-in Mounting, Front Side, Solder or Quick-connect Terminal	4788
IEC Appliance Outlet F or H, Screw-on Mounting, Front Side, Solder, PCB or Quick-connect Terminal	5091

[Appliance Outlet further types to 5120](#)

[Connector Overview complete](#)



4782 Mounting: Power Cord, 3 x 1 mm ² / 3 x 18 AWG, Cable, Connector: IEC C13	4782
4022 Mounting: Power Supply Cord, 3 x 1.5 mm ² , Screw clamps, Connector: IEC C13	4022
4785 Mounting: Power Cord, 3 x 1 mm ² / 3 x 18 AWG, Cable, Connector: IEC C13	4785
4300-06 Mounting: Power Cord, 3 x 1 mm ² / 3 x 18 AWG, Cable, Connector: IEC C13	4300-06
4012 Mounting: Power Supply Cord, 3 x 1.5 mm ² , Screw clamps, Connector: IEC C13	4012

[Connector further types to 5120](#)

...

Mating Outlets/Connectors shuttered

[Power Cord Overview complete](#)



VAC13KS, Overview, diverse Connector IEC C13, cord end:	VAC13KS
Power cord with IEC connector C17, V-Lock, straight	VAC17KS

[Power Cord further types to 5120](#)

