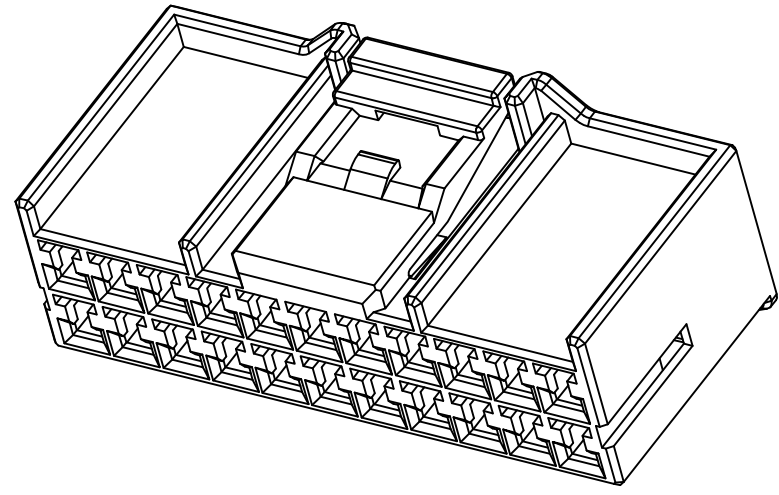
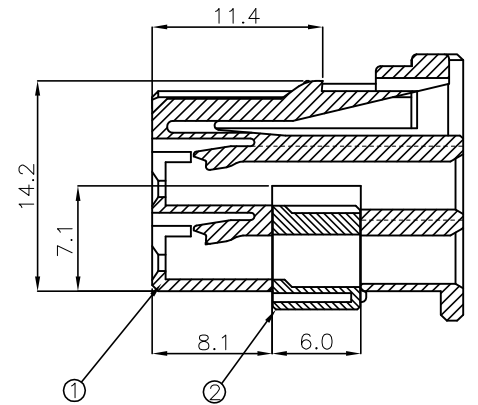
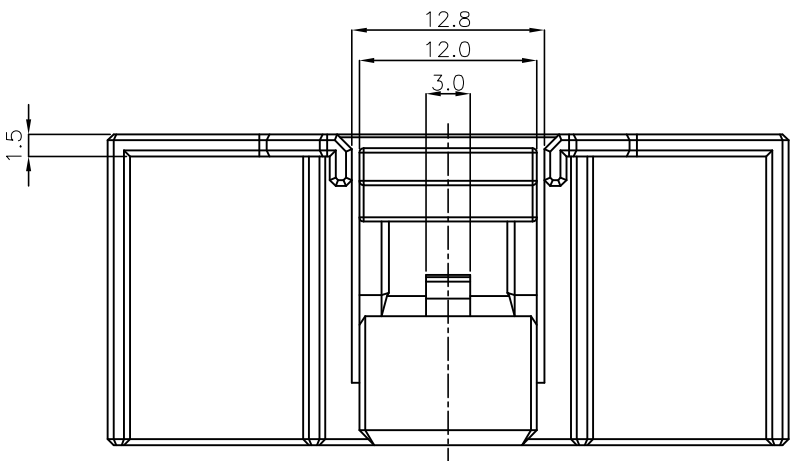
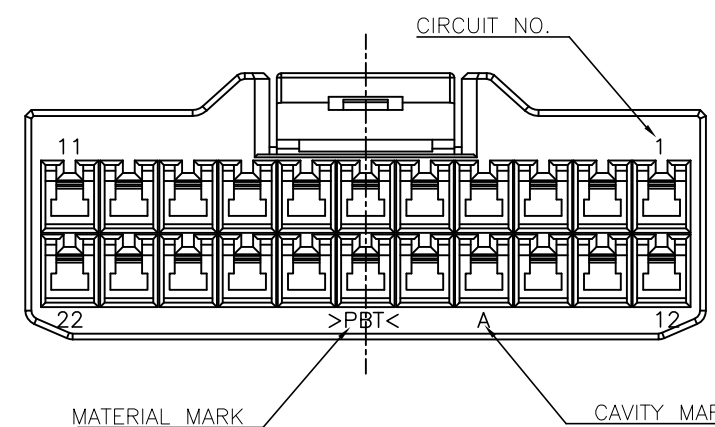
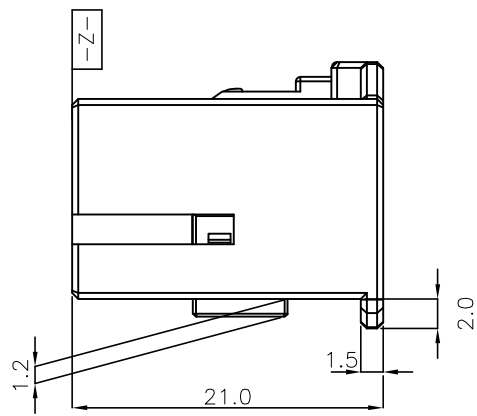
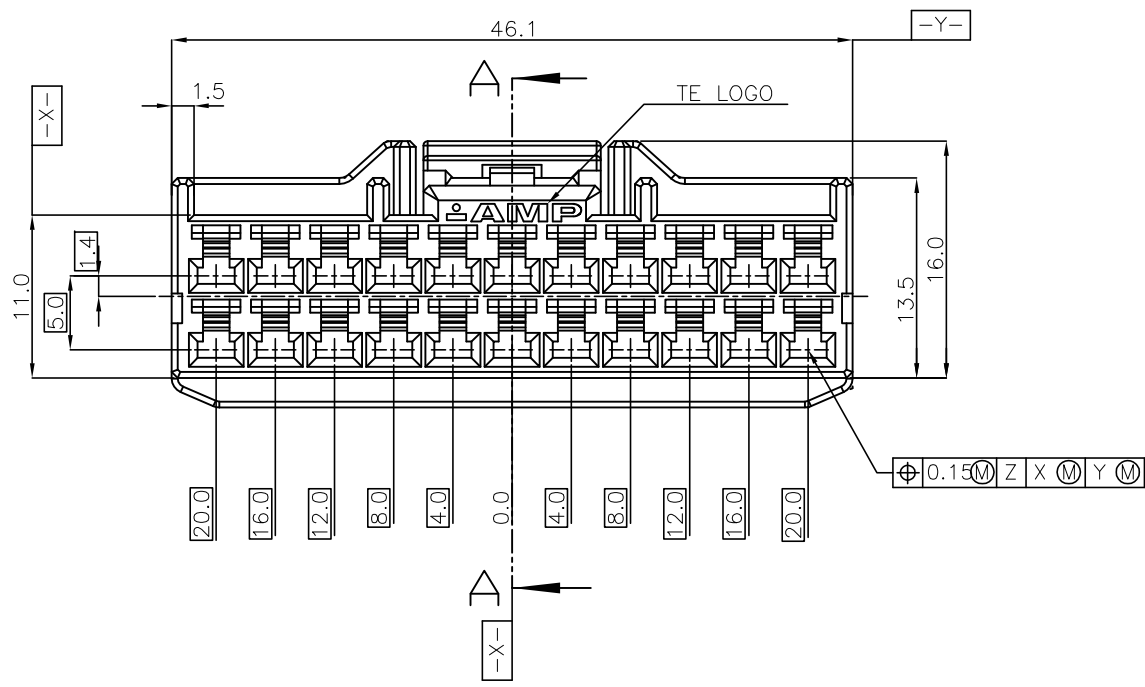


THIS DRAWING IS UNPUBLISHED. RELEASED FOR PUBLICATION
 © COPYRIGHT BY TYCO ELECTRONICS CORPORATION. ALL RIGHTS RESERVED.

LOC	DIST	REVISIONS					
		P	LTR	DESCRIPTION	DATE	DWN	APVD
DS	-	B1		REVISED (ECR-09-005043)	24.MAR.'09	KT	HG
		C		REVISED (ECR-10-005069)	15.MAR.'10	YM	HG



SECTION A-A



ASSY P/N	QTY
0-936151-8	1
0-936151-7	1
0-936151-6	1
0-936151-5	1
0-936151-4	1
0-936151-3	1
0-936151-2	1
0-936151-1	1

NO	COLOR	MATERIAL	DESCRIPTION	P/N	QTY
1	BLUE	PBT	PLUG	0-936152-8	1
1	GREEN	PBT	PLUG	0-936152-7	1
1	RED	PBT	PLUG	0-936152-6	1
1	YELLOW	PBT	PLUG	0-936152-5	1
1	BROWN	PBT	PLUG	0-936152-4	1
1	D/GRAY	PBT	PLUG	0-936152-3	1
1	BLACK	PBT	PLUG	0-936152-2	1
1	NATURAL	PBT	PLUG	0-936152-1	1
2	NATURAL	PBT	DBL	0-936153-1	1

NOTES.
 1. THE MATING HSG. P/N ; 936154
 2. APPLIED CONTACT P/N ;
 090 II REC. - 368083, 368084, 368085
 090 III REC. - 1743654, 1743655, 1743656, 1897753, 1897598
 -추가-
 1. 상대 하우징 P/N. : 936154
 2. 적용단자 P/N. ; 090 II REC.- 368083,368084,368085
 090 III REC.- 1743654,1743655,1743656,1897753,1897598

THIS DRAWING IS A CONTROLLED DOCUMENT FOR TYCO ELECTRONICS CORPORATION
 IT IS SUBJECT TO CHANGE AND THE CONTROLLING ENGINEERING ORGANIZATION
 SHOULD BE CONTACTED FOR THE LATEST REVISION.

DIMENSIONS: MM	TOLERANCES UNLESS OTHERWISE SPECIFIED: 0 <XX<10 ± 0.2 10<XX<30 ± 0.25 30<XX ± 0.3 ANGLES ± 3°	DWN YM LEE CHK JW JUNG APVD HG CHD PRODUCT SPEC -	Tyco Electronics Kyungsan, Korea
MATERIAL SEE TABLE	FINISH	APPLICATION SPEC -	
		WEIGHT -	NAME 090III 22P PLUG ASS'Y
		CUSTOMER DRAWING	SIZE A3
			CAGE CODE 00779
			DRAWING NO C=936151
			RESTRICTED TO -
			SCALE 2/1 SHEET 1 OF 1 REV C