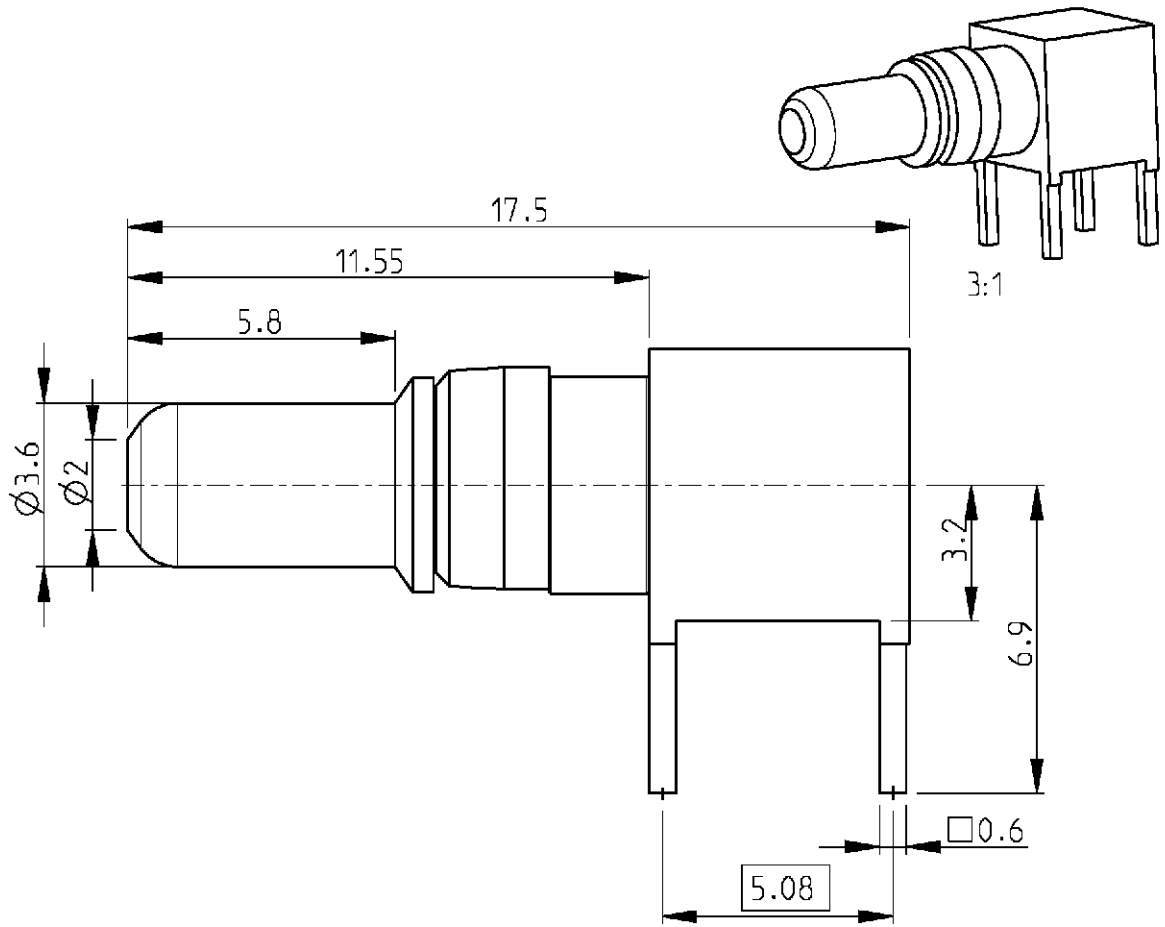


LOC	DIST	REVISIONS					
GW	-	P	LTR	DESCRIPTION	DATE	DWN	APVD
			A	-		19APR2001	BL

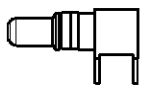


2) All dimensions are max unless otherwise specified.

1) Application : DIN 41612 type M.

Cross reference table

Old part number	Tyco part number	Current	Material	Plating
C42334-A347-A102	1-1393589-8	25 A	Brass	1 $\mu$ m Au or PD in contact area



1:1

2000  
RELEASED FOR PUBLICATION

THIS DRAWING IS UNPUBLISHED.  
COPYRIGHT 2000 BY TYCO ELECTRONICS CORPORATION. ALL RIGHTS RESERVED.

DIMENSIONS:		DWN	19APR2001	MATERIAL	-	FINISH	-
mm		B. Lenvain		Tyco Electronics Oostkamp - Belgium			
TOLERANCES UNLESS OTHERWISE SPECIFIED:		CHR	19APR2001				
		K. Mattheeuws					
0 PLC	$\pm$	APVD	19APR2001	NAME			
1 PLC	$\pm$	R. Leeman		High current plug with PCB connection			
2 PLC	$\pm$	PRODUCT SPEC	-	SIZE	CAGE CODE	DRAWING NO	RESTRICTED TO
3 PLC	$\pm$	APPLICATION SPEC	-	A 4	00779	C=1-1393589-8	-
4 PLC	$\pm$	WEIGHT	-	CUSTOMER DRAWING			
ANGLES	$\pm$			SCALE	SHEET	OF	REV
				6/1	1	1	A