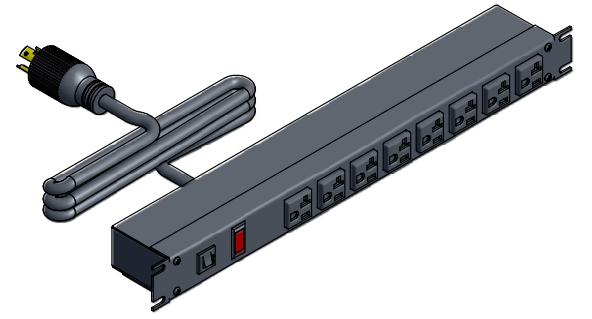
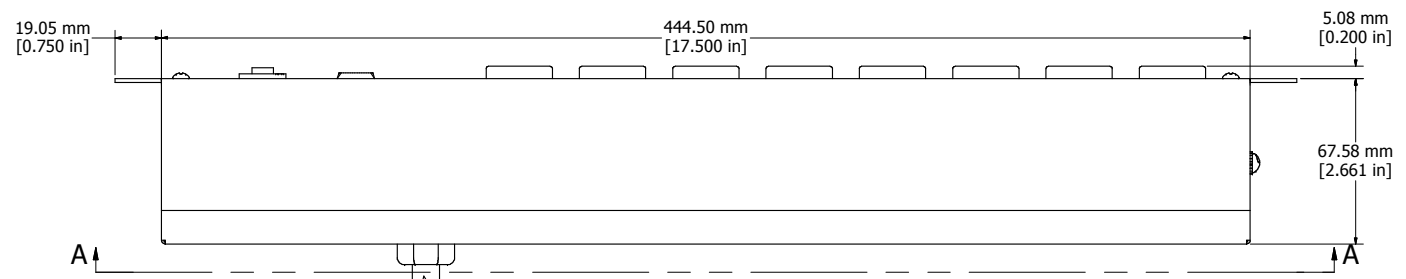


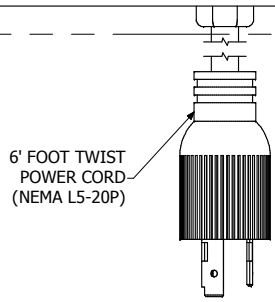
ASSEMBLY - VIEW FROM FRONT



ISOMETRIC VIEW

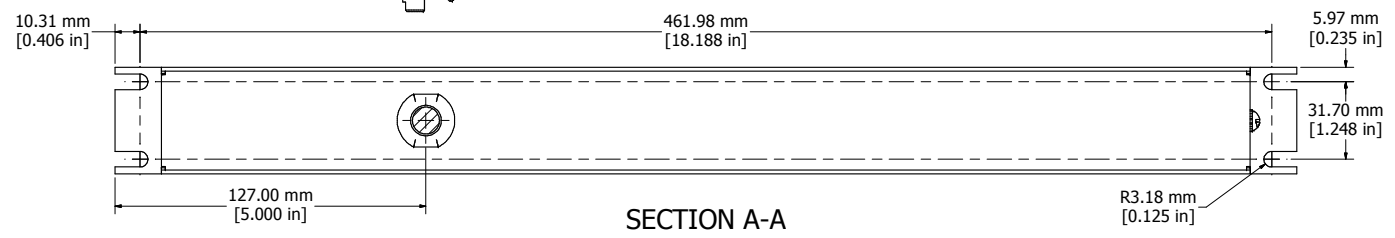


ASSEMBLY - VIEW FROM BOTTOM



ASSEMBLY - VIEW FROM SIDE

<b>1589T8C1BKRF</b>
Finish - Front - Black Painted Steel
Back - Black Painted Steel
Rated - 125 VAC, 60 Hz, 20 Amps
Approvals - CSA Certified Standards C22.2 (No. 21-95, 42-99)
- UL Recognized Standard UL1363
<b>Cord Length</b>
1589T8C1BKRF - 6' Foot Twist Power Cord (NEMA L5-20P)
1589T8D1BKRF - 15' Foot Twist Power Cord (NEMA L5-20P)



SECTION A-A

**HAMMOND MANUFACTURING™**

**1589T8C1BKRF**

www.hammondmfg.com