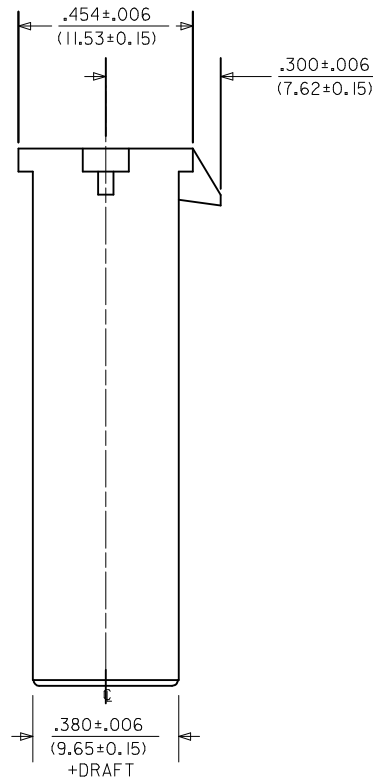
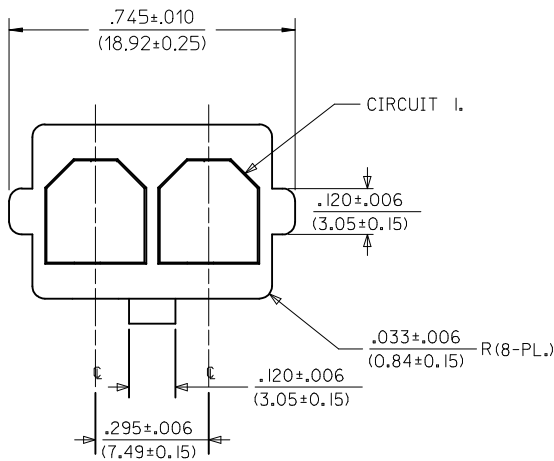


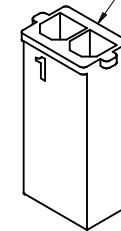
ITEM NUMBER	MATERIAL	COLOR
172673-2002	UL94V-0 NYLON	BLACK
172673-3002	UL94V-2 NYLON, IEC 60335-1, GLOW WIRE CAPABLE	BLACK

**NOTES:**

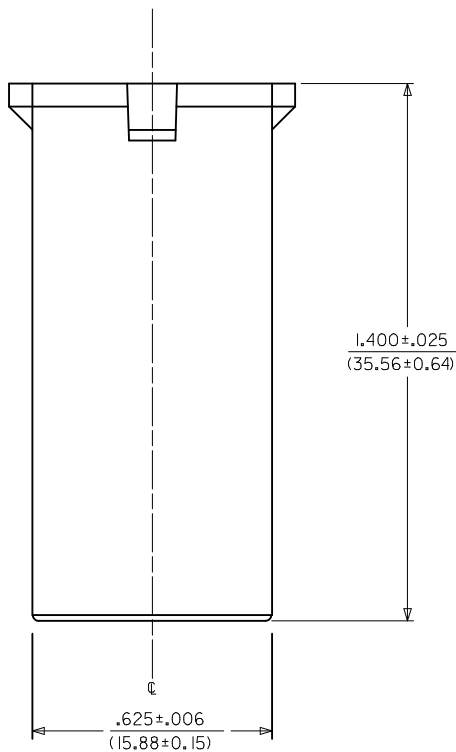
1. MATERIAL: SEE CHART.
2. FINISH: NONE.
3. PRODUCT SPECIFICATION: PS-171825-001.
4. PACKAGING: PK-43680-001.
5. THIS CONNECTOR HOUSING FOR USE WITH 171826 TERMINALS.
6. THIS CONNECTOR HOUSING WILL MATE TO 172672 OR 44441 HOUSINGS.
7. PARTS CONFORM TO CLASS B REQUIREMENTS OF COSMETIC SPEC PS-45499-002.  
- SOME PARTS MAY HAVE A BLEMISH NEAR THE GATE THAT DOES NOT AFFECT FUNCTIONALITY.
8. MOLDED IN SERIES NO. MAY BE 172673 OR 43680.



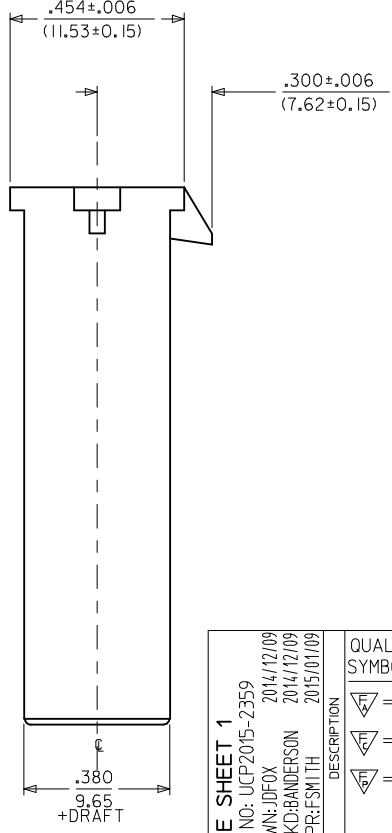
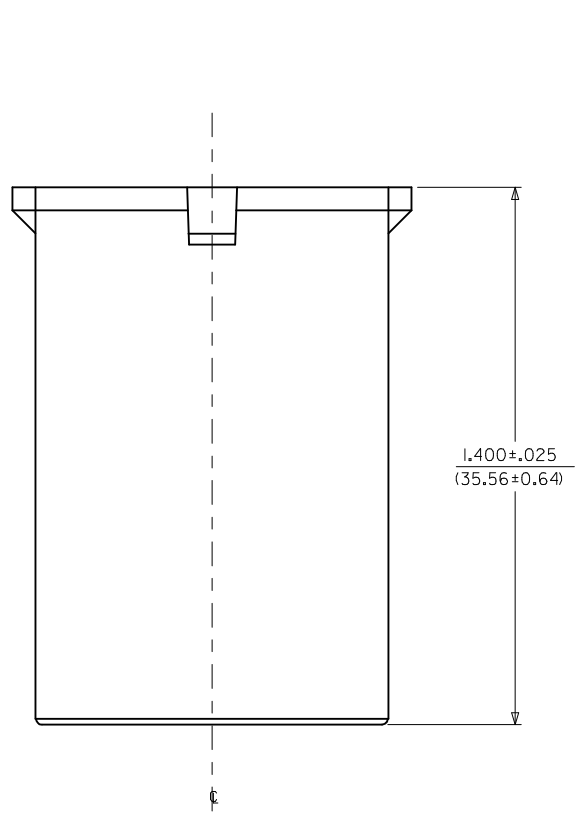
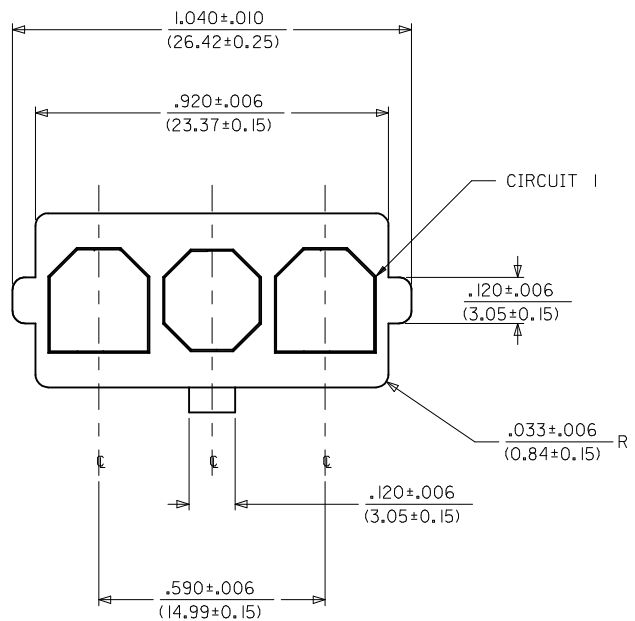
LOCKING NUB IS LOCATED HERE



172673-\*002  
(NO SCALE)



<b>GATE BLEMISH, NOTE 8</b> IEC NO: UCP2015-2359 DRWN: DFOX 2014/12/09 CHKD: BANDERSON 2014/12/09 APPR: FSMITH 2015/01/09	QUALITY SYMBOLS	GENERAL TOLERANCES (UNLESS SPECIFIED)	DIMENSION STYLE	SCALE	DESIGN UNITS	THIRD ANGLE PROJECTION
	▽=0	mm INCH	IN/MM	4:1	INCH	
	▽=0	4 PLACES ± --- ± ---	DRAWN BY DATE	TITLE		
	▽=0	3 PLACES ± --- ± .010	JDFOX 2014/07/24	SUPER-SABRE PLUG HOUSING		
	2 PLACES ± 0.25 ± .014	CHECKED BY DATE				
	1 PLACE ± 0.35 ± ---	BANDERSON 2014/07/24				
	0 PLACE ± --- ± ---	APPROVED BY DATE	DOCUMENT NO.			
		FSMITH 2014/07/31	SD-172673-001			
			SHEET NO.			
			1 OF 5			
			THIS DRAWING CONTAINS INFORMATION THAT IS PROPRIETARY TO MOLEX INCORPORATED AND SHOULD NOT BE USED WITHOUT WRITTEN PERMISSION			

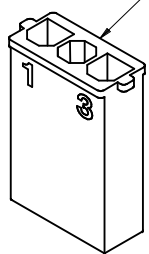


ITEM NUMBER	MATERIAL	COLOR
172673-2003	UL94V-0 NYLON	BLACK
172673-3003	UL94V-2 NYLON, IEC 60335-1, GLOW WIRE CAPABLE	BLACK

**NOTES:**

1. MATERIAL: SEE CHART.
2. FINISH: NONE.
3. PRODUCT SPECIFICATION: PS-171825-001.
4. PACKAGING: PK-43680-001.
5. THIS CONNECTOR HOUSING FOR USE WITH 171826 TERMINALS.
6. THIS CONNECTOR HOUSING WILL MATE TO 172672 OR 44441 HOUSINGS.
7. PARTS CONFORM TO CLASS B REQUIREMENTS OF COSMETIC SPEC PS-45499-002.
  - SOME PARTS MAY HAVE A BLEMISH NEAR THE GATE THAT DOES NOT AFFECT FUNCTIONALITY.
8. MOLDED IN SERIES NO. MAY BE 172673 OR 43680.

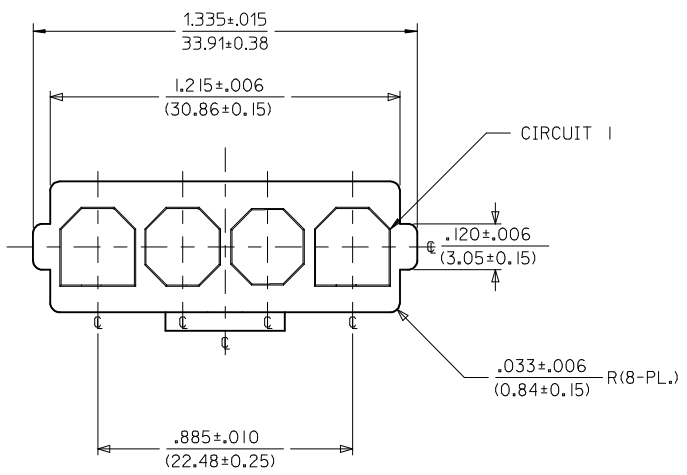
LOCKING NUB IS LOCATED HERE



172673-\*003  
(NO SCALE)

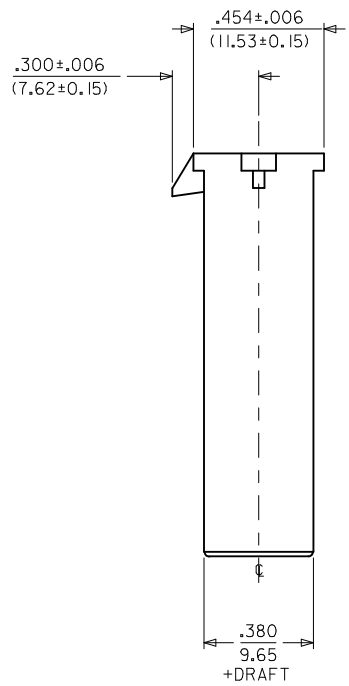
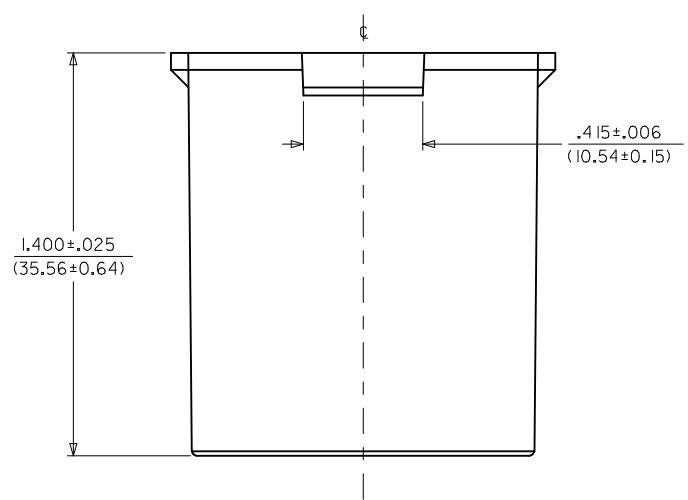
SEE SHEET 1 EC NO: UCP2015-2359 DRWN: JDOX 2014/12/09 CHKD: BANDERSON 2014/12/09 APPR: FSMITH 2015/01/09	QUALITY SYMBOLS ▽=0 ▽=0 ▽=0	GENERAL TOLERANCES (UNLESS SPECIFIED)		DIMENSION STYLE IN/MM	SCALE 4:1	DESIGN UNITS INCH	THIRD ANGLE PROJECTION
		4 PLACES ± --- ± ---	3 PLACES ± --- ± .010	2 PLACES ± 0.25 ± .014	1 PLACE ± 0.35 ± ---	0 PLACE ± --- ± ---	ANGULAR ±1/2°
A2	REV	DRAWN BY JDOX		DATE 2014/07/24	TITLE SUPER-SABRE PLUG HOUSING		
		CHECKED BY BANDERSON		DATE 2014/07/24	APPROVED BY FSMITH		
		DATE 2014/07/31		MATERIAL NO. SEE CHART		DOCUMENT NO. SD-172673-001	SHEET NO. 2 OF 5
THIS DRAWING CONTAINS INFORMATION THAT IS PROPRIETARY TO MOLEX INCORPORATED AND SHOULD NOT BE USED WITHOUT WRITTEN PERMISSION							

ITEM NUMBER	MATERIAL	COLOR
172673-2004	UL94V-0 NYLON	BLACK
172673-3004	UL94V-2 NYLON IEC 60335-1 GLOW WIRE CAPABLE	BLACK

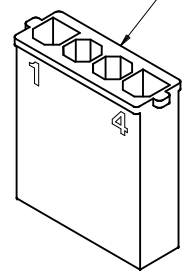


NOTE:

1. MATERIAL: SEE CHART.
2. FINISH: NONE.
3. PRODUCT SPECIFICATION: PS-171825-001.
4. PACKAGING: PK-43680-001.
5. THIS CONNECTOR HOUSING FOR USE WITH 171826 TERMINALS.
6. THIS CONNECTOR HOUSING WILL MATE TO 172672 OR 44441 HOUSINGS.
7. PARTS CONFORM TO CLASS B REQUIREMENTS OF COSMETIC SPEC PS-45499-002.  
- SOME PARTS MAY HAVE A BLEMISH NEAR THE GATE THAT DOES NOT AFFECT FUNCTIONALITY.
8. MOLDED IN SERIES NO. MAY BE 172673 OR 43680.



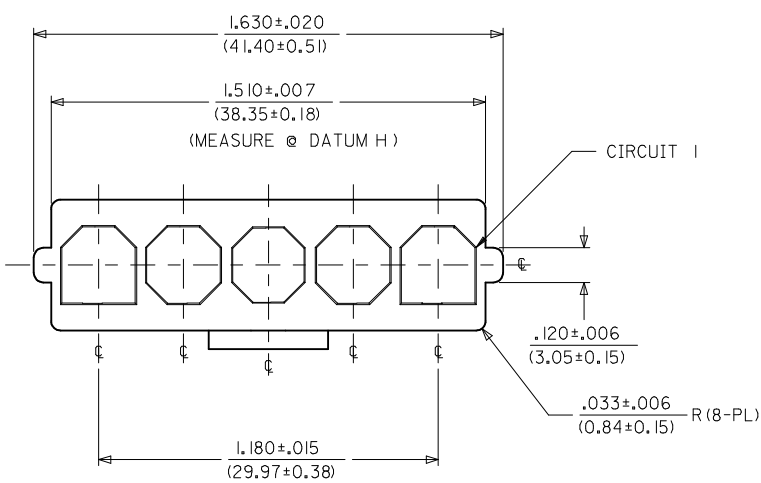
LOCKING NUB IS LOCATED HERE



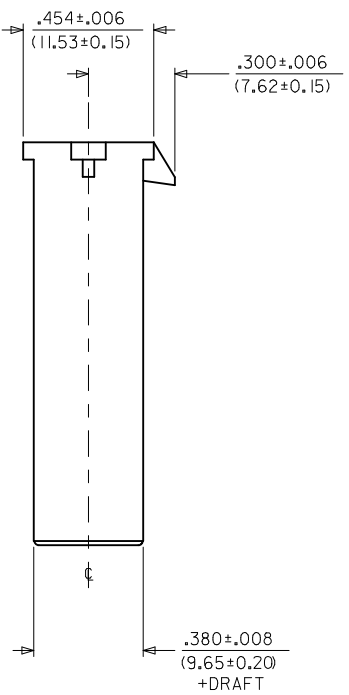
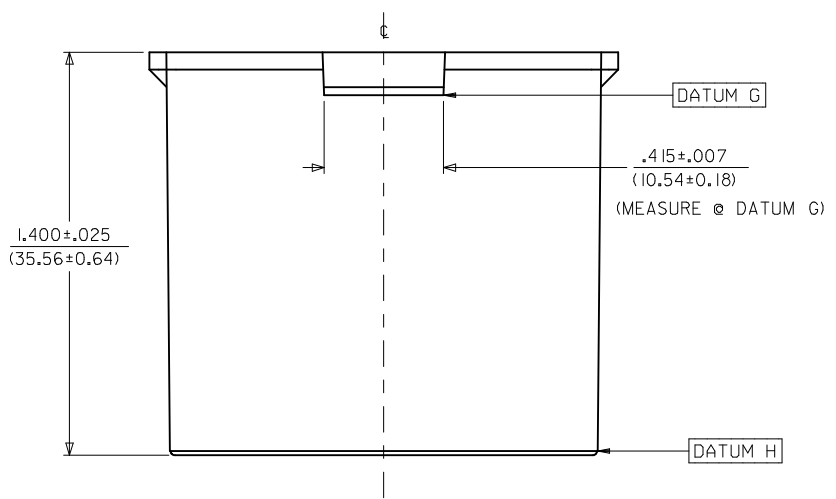
172673-\*004  
(NO SCALE)

SEE SHEET 1 EC NO: UCP2015-2359 DRWN:JDFX 2014/12/09 CHKD:ANDERSON 2014/12/09 APPR:FSMITH 2015/01/09	QUALITY SYMBOLS	GENERAL TOLERANCES (UNLESS SPECIFIED)		DIMENSION STYLE IN/MM		SCALE 3:1	DESIGN UNITS INCH	THIRD ANGLE PROJECTION	
	▽=0	4 PLACES ± --- ± ---	mm	INCH	DRAWN BY JDFX	DATE 2014/07/24	SUPER-SABRE PLUG HOUSING		
	▽=0	3 PLACES ± --- ± .010			CHECKED BY ANDERSON	DATE 2014/07/24			
	▽=0	2 PLACES ± 0.25 ± .014			APPROVED BY FSMITH	DATE 2014/07/31	molex SD-172673-001		
▽=0	1 PLACE ± 0.35 ± ---			MATERIAL NO. SEE CHART		DOCUMENT NO. SD-172673-001			
REV A2	DESCRIPTION	ANGULAR ±1/2°		DRAFT WHERE APPLICABLE MUST REMAIN WITHIN DIMENSIONS		THIS DRAWING CONTAINS INFORMATION THAT IS PROPRIETARY TO MOLEX INCORPORATED AND SHOULD NOT BE USED WITHOUT WRITTEN PERMISSION			

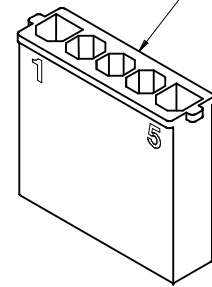
ITEM NUMBER	MATERIAL	COLOR
172673-2005	NYLON, UL94V-0	BLACK
172673-3005	NYLON, UL94V-2, IEC 60335-1 GLOW-WIRE CAPABLE	BLACK



- NOTE:
1. MATERIAL: SEE CHART.
  2. FINISH: NONE.
  3. PRODUCT SPECIFICATION: PS-171825-001.
  4. PACKAGING: PK-43680-001.
  5. THIS CONNECTOR HOUSING FOR USE WITH 171826 TERMINALS.
  6. THIS CONNECTOR HOUSING WILL MATE TO 172672 OR 44441 HOUSINGS.
  7. PARTS CONFORM TO CLASS B REQUIREMENTS OF COSMETIC SPEC PS-45499-002.  
- SOME PARTS MAY HAVE A BLEMISH NEAR THE GATE THAT DOES NOT AFFECT FUNCTIONALITY.
  8. MOLDED IN SERIES NO. MAY BE 172673 OR 43680.



LOCKING NUB IS LOCATED HERE



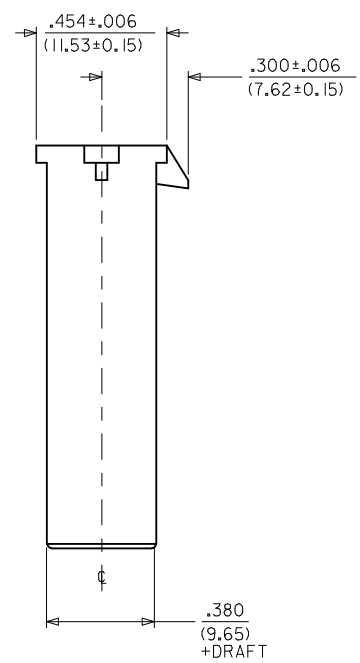
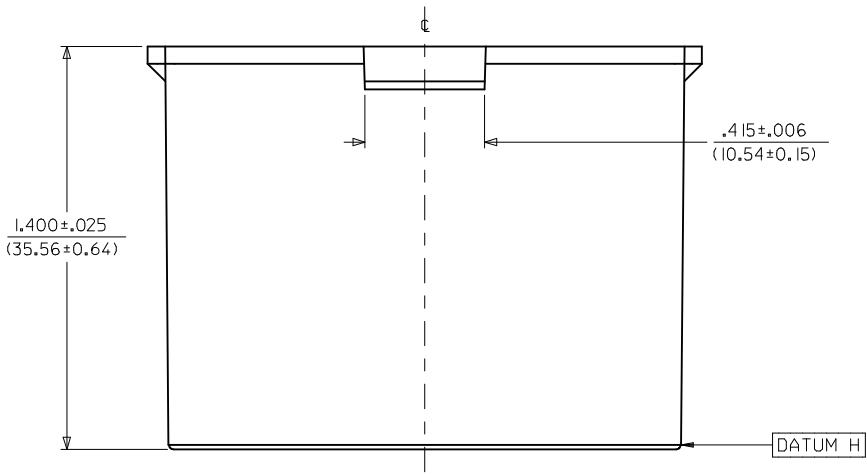
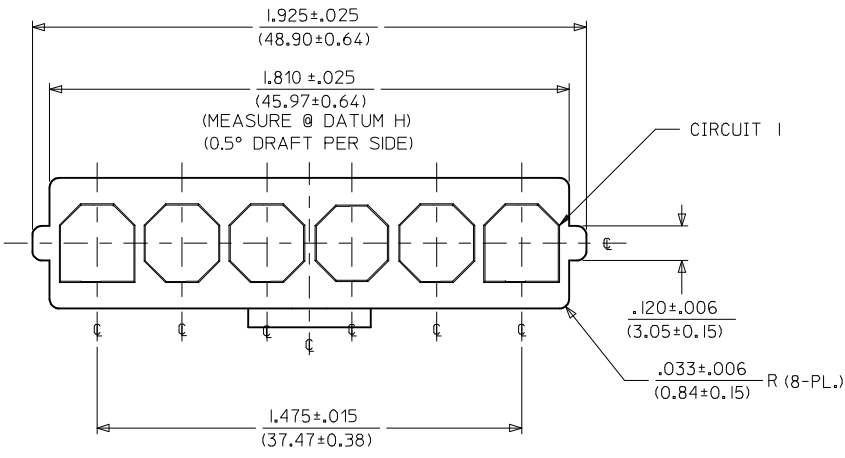
172673-\*005  
(NO SCALE)

SEE SHEET 1 IEC NO: UCP2015-2359 DRWN: JDFOX 2014/12/09 CHKD: BANDERSON 2014/12/09 APPR: FSMITH 2015/01/09	QUALITY SYMBOLS	GENERAL TOLERANCES (UNLESS SPECIFIED)	DIMENSION STYLE	SCALE	DESIGN UNITS	THIRD ANGLE PROJECTION
	▽=0	mm INCH	IN/MM	3:1	INCH	
	▽=0	4 PLACES ± --- ± ---	DRAWN BY DATE	TITLE		
	▽=0	3 PLACES ± --- ± .010	JDFOX 2014/07/24	SUPER-SABRE PLUG HOUSING		
▽=0	2 PLACES ± 0.25 ± .014	CHECKED BY DATE	molex SD-172673-001			
	1 PLACE ± 0.35 ± ---	BANDERSON 2014/07/24				
	0 PLACE ± --- ± ---	APPROVED BY DATE	MATERIAL NO. DOCUMENT NO. SHEET NO.			
		FSMITH 2014/07/31	SEE CHART		SD-172673-001 4 OF 5	
			DRAFT WHERE APPLICABLE MUST REMAIN WITHIN DIMENSIONS			
			THIS DRAWING CONTAINS INFORMATION THAT IS PROPRIETARY TO MOLEX INCORPORATED AND SHOULD NOT BE USED WITHOUT WRITTEN PERMISSION			

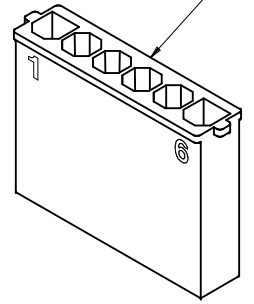
ITEM NUMBER	MATERIAL	COLOR
172673-2006	UL94V-0 NYLON	BLACK
172673-3006	UL94V-2 NYLON, IEC 60335-1 GLOW WIRE CAPABLE	BLACK

NOTE:

1. MATERIAL: SEE CHART.
2. FINISH: NONE.
3. PRODUCT SPECIFICATION: PS-171825-001.
4. PACKAGING: PK-43680-001.
5. THIS CONNECTOR HOUSING FOR USE WITH 171826 TERMINALS.
6. THIS CONNECTOR HOUSING WILL MATE TO 172672 OR 44441 HOUSINGS.
7. PARTS CONFORM TO CLASS B REQUIREMENTS OF COSMETIC SPEC PS-45499-002.  
- SOME PARTS MAY HAVE A BLEMISH NEAR THE GATE THAT DOES NOT AFFECT FUNCTIONALITY.
8. MOLDED IN SERIES NO. MAY BE 172673 OR 43680.



LOCKING NUB IS LOCATED HERE



172673-x006  
(NO SCALE)

REV	DESCRIPTION	QUALITY SYMBOLS	GENERAL TOLERANCES (UNLESS SPECIFIED)		DIMENSION STYLE	SCALE	DESIGN UNITS	THIRD ANGLE PROJECTION	
			mm	INCH	IN/MM	3:1	INCH		
A2	SEE SHEET 1 EC NO: UCP2015-2359 DRWN: JDFOX 2014/12/09 CHKD: BANDERSON 2014/12/09 APPR: FSMITH 2015/01/09	▽=0 ▽=0 ▽=0	4 PLACES ± --- ± --- 3 PLACES ± --- ± .010 2 PLACES ± 0.25 ± .014 1 PLACE ± 0.35 ± --- 0 PLACE ± --- ± ---	mm INCH	DRAWN BY JDFOX DATE 2014/07/24	CHECKED BY BANDERSON DATE 2014/07/24	APPROVED BY FSMITH DATE 2014/07/31	TITLE SUPER-SABRE PLUG HOUSING	
			ANGULAR ±1/2°		MATERIAL NO. SEE CHART	DOCUMENT NO. SD-172673-001	SHEET NO. 5 OF 5		
			DRAFT WHERE APPLICABLE MUST REMAIN WITHIN DIMENSIONS						
			THIS DRAWING CONTAINS INFORMATION THAT IS PROPRIETARY TO MOLEX INCORPORATED AND SHOULD NOT BE USED WITHOUT WRITTEN PERMISSION						