

A-41662-* N * * - *

PACKAGING AND OPTIONS

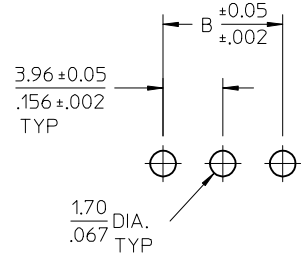
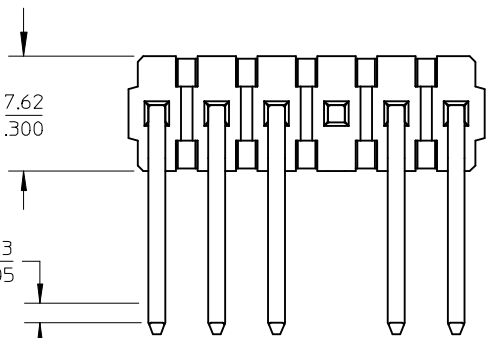
NO. OF CKTS.

PIN DIMENSIONS

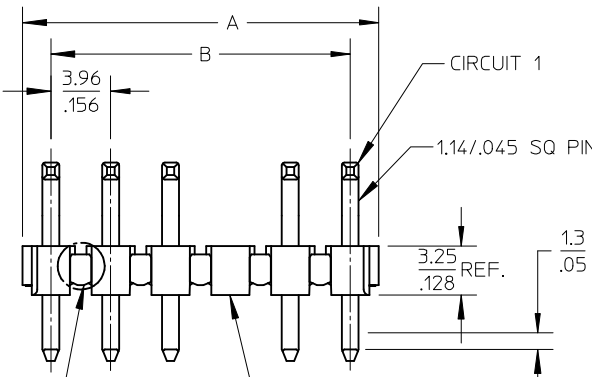
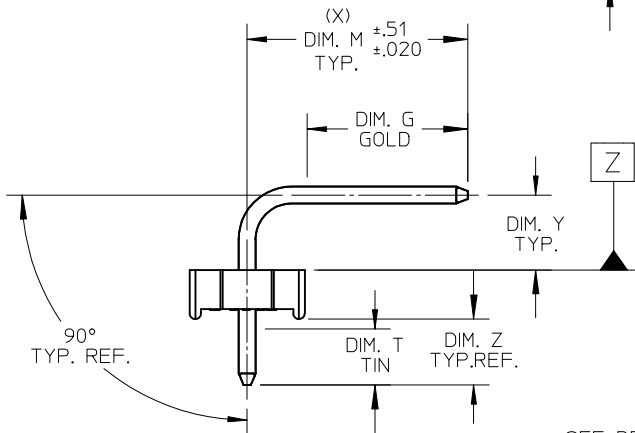
PLATING

VOID LOCATIONS:
 BLANK = NO VOIDS
 NO.= CKT NO. VOIDED
 MULT. VOIDS START WITH 51

CENTERLINE OF PIN IN AREA SHOWN NOT TO VARY FROM CENTERLINE OF PIN AT DATUM Z BY MORE THAN 0.20/.008 IN ANY DIRECTION.



PCB LAYOUT: COMPONENT SIDE
 RECOMMENDED PCB THICKNESS: (1.57±.18)/.062±.007



1.3 CENTERLINE OF PIN IN AREA SHOWN NOT TO VARY FROM CENTERLINE OF PIN AT DATUM Z BY MORE THAN 0.13/.005 IN ANY DIRECTION.

SEE DETAIL A

OPTIONAL VOIDED CKT. SEE CHART FOR LOCATIONS

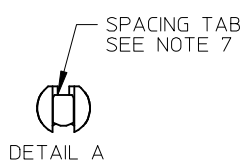
NOTES:

- MATERIAL: GLASS FILLED POLYESTER, 94V-0, MOLDED BLACK
- FINISH: PER SDES-88
 - (102) OVERALL TIN: 0.00508/.000200 MIN.
 - OVERALL COPPER UNDERPLATE: 0.00254/.000100 MIN.
 - (154) OVERALL TIN: 0.00254/.000100 MIN.
 - OVERALL NICKEL UNDERPLATE: 0.00127/.000050 MIN.
 - (208) SELECT GOLD: 0.00038/.000015 MIN.
 - * SELECT TIN: 0.00254/.000100 MIN
 - OVERALL NICKEL UNDERPLATE: 0.00127/.000050 MIN.
 - (228) SELECT GOLD: 0.00076/.000030 MIN.
 - * SELECT TIN: 0.00254/.000100 MIN.
 - OVERALL NICKEL UNDERPLATE: 0.00127/.000050 MIN.
 - (501) OVERALL GOLD: 0.00051/.000020 MIN.
 - OVERALL NICKEL UNDERPLATE: 0.00076/.000030 MIN.

- PRODUCT SPECIFICATION: PS-08-50.
- PACKAGING INFORMATION: SEE CHARTS
- SOLDERABILITY: PER SMES-152.
- PIN PUSH-OUT FORCE: PRIOR TO SOLDERING, A 3 LB. MINIMUM FORCE (IN EITHER DIRECTION) SHALL BE REQUIRED TO PUSH THE PIN OUT OF THE HEADER.
- PARTS ARE STACKABLE END TO END ON 3.96/.156 CENTERS. (SPACING TABS MUST BE REMOVED ON CIRCUIT SIZES 1-23 BEFORE PARTS ARE STACKABLE.)
- THE PRIMARY SHIPPING CARTON WILL BE LABELED, "COMPLIANT TO RoHS DIRECTIVE 2002/95/EC AND ELV ANNEX II OF DIRECTIVE 2000/53/EC". CARTONS WITHOUT THIS LABEL MAY CONTAIN PRODUCT WITH TIN-LEAD PLATING.
- THIS PART CONFORMS TO CLASS B REQUIREMENTS OF COSMETIC SPECIFICATION PS-45499-002.

CIRCUIT	B	A
2	3.96 .156	6.78/7.87 .2677/.310
3	7.92 .312	10.74/11.84 .4231/.466
4	11.89 .468	14.71/15.80 .5791/.622
5	15.85 .624	18.67/19.76 .7351/.778
6	19.81 .780	22.63/23.72 .891/.934
7	23.77 .936	26.59/27.69 1.047/1.090
8	27.74 1.092	30.56/31.65 1.203/1.246
9	31.70 1.248	34.52/35.61 1.359/1.402
10	35.66 1.404	38.48/39.57 1.515/1.558
11	39.62 1.560	42.44/43.54 1.671/1.714
12	43.59 1.716	46.41/47.50 1.827/1.870
13	47.55 1.872	50.37/51.46 1.983/2.026
14	51.51 2.028	54.33/55.42 2.139/2.182
15	55.47 2.184	58.29/59.39 2.295/2.338
16	59.44 2.340	62.26/63.35 2.451/2.494
17	63.40 2.496	66.22/67.31 2.607/2.650
18	67.36 2.652	70.18/71.27 2.763/2.806
19	71.32 2.808	74.14/75.23 2.919/2.962
20	75.29 2.964	78.11/79.20 3.075/3.118
21	79.25 3.120	82.07/83.16 3.231/3.274
22	83.21 3.276	86.03/87.12 3.387/3.430
23	87.17 3.432	89.94/91.08 3.541/3.586
24	91.14 3.588	93.85/95.00 3.695/3.740

2-*	AH7
1	REV.
SHT.	REV.



REMOVE 41662-0684 EC NO: UCP2010-0149 DRWN:MKLIPPER 2009/08/05 CHK'D:SSOUSEK 2009/08/10 APPR:FSM TH 2009/08/11	QUALITY SYMBOLS
	DESCRIPTION
AH7	REV

GENERAL TOLERANCES (UNLESS SPECIFIED)	
	mm INCH
4 PLACES	± .005 ± .0002
3 PLACES	± .005 ± .0002
2 PLACES	± 0.25 ± .014
1 PLACE	± 0.36 ± .014
ANGULAR ±1/2°	
DRAFT WHERE APPLICABLE MUST REMAIN WITHIN DIMENSIONS	

DIMENSION STYLE	
MM/IN	
DRAWN BY	DATE
JSCHAFFER	2003/09/15
CHECKED BY	DATE
KSAMIEC	2003/09/15
APPROVED BY	DATE
MARGULIS	2003/09/15
MATERIAL NO.	
SEE CHART	
SIZE	
A	

SCALE	DESIGN UNITS	THIRD ANGLE PROJECTION	
4:1	INCH		
TITLE			
KK .156 HEADER ASSEMBLY FLAT BREAKAWAY 2-24 CKTS.			
MOLEX INCORPORATED			
DOCUMENT NO.			SHEET NO.
SD-41662-001			1 OF 12
THIS DRAWING CONTAINS INFORMATION THAT IS PROPRIETARY TO MOLEX INCORPORATED AND SHOULD NOT BE USED WITHOUT WRITTEN PERMISSION			

A-41662-ANA102-*					
HEADER NUMBER:		41185-A-AN			
PIN NUMBER:		2161-19(102)			
PLATING		102			
PIN LENGTH: L		26.21 / 1.032			
MATING LENGTH: X		14.61 / .575			
GOLD POINT: G		N/A			
PIN HEIGHT: Y		4.95 / .195			
PC TAIL LENGTH: Z		4.67 / .184			
TIN: T		OVERALL			
CKTS:		2-24			
VOIDED CKTS:		SEE TABLE			
PACKAGING:		BULK PK-41662-001			
MATERIAL NUMBER	ENG NUMBER	VOIDS	MATERIAL NUMBER	ENG NUMBER	VOIDS
26-48-1022	-A02A102		26-48-1192	-A19A102	
26-48-1032	-A03A102		26-48-1202	-A20A102	
26-48-1042	-A04A102		26-48-1212	-A21A102	
26-48-1052	-A05A102		26-48-1222	-A22A102	
26-48-1062	-A06A102		26-48-1232	-A23A102	
26-48-1072	-A07A102		26-48-1242	-A24A102	
26-48-1082	-A08A102		26-50-3117	-A11A102-51	2, 4, 6, 8, 10
26-48-1092	-A09A102		26-50-5082	-A08A102-3	3
26-48-1102	-A10A102		41662-0201	-A24A102-51	2, 4, 6
26-48-1112	-A11A102		41662-0202	-A17A102-2	2
26-48-1122	-A12A102		41662-0203	-A19A102-2	2
26-48-1132	-A13A102		41662-0204	-A14A102-51	3, 4, 7, 8, 11, 12
26-48-1142	-A14A102		41662-0205	-A05A102-3	3
26-48-1152	-A15A102				
26-48-1162	-A16A102				
26-48-1172	-A17A102				
26-48-1182	-A18A102				

A-41662-BNY208-*					
HEADER NUMBER:		41185-A-AN			
PIN NUMBER:		43294-0497			
PLATING		208			
PIN LENGTH: L		26.16 / 1.030			
MATING LENGTH: X		14.61 / .575			
GOLD POINT: G		6.86 / .270			
PIN HEIGHT: Y		4.95 / .195			
PC TAIL LENGTH: Z		4.63 / .182			
TIN: T		5.08 / .200			
CKTS:		2-24			
VOIDED CKTS:		NONE			
PACKAGING:		BULK PK-41662-001			
MATERIAL NUMBER	ENG NUMBER	VOIDS	MATERIAL NUMBER	ENG NUMBER	VOIDS
41662-0001	-B02Y208		41662-0018	-B19Y208	
41662-0002	-B03Y208		41662-0019	-B20Y208	
41662-0003	-B04Y208		41662-0020	-B21Y208	
41662-0004	-B05Y208		41662-0021	-B22Y208	
41662-0005	-B06Y208		41662-0022	-B23Y208	
41662-0006	-B07Y208		41662-0023	-B24Y208	
41662-0007	-B08Y208				
41662-0008	-B09Y208				
41662-0009	-B10Y208				
41662-0010	-B11Y208				
41662-0011	-B12Y208				
41662-0012	-B13Y208				
41662-0013	-B14Y208				
41662-0014	-B15Y208				
41662-0015	-B16Y208				
41662-0016	-B17Y208				
41662-0017	-B18Y208				

REV: AH7	ECR/ECN INFORMATION: EC No.: UCP2010-0149 DATE: 8/11/2009	TITLE: KK .156 HEADER ASSEMBLY FLAT BREAKAWAY, 2-24 CKTS.	SHEET No. - 2 -
DOCUMENT NUMBER: SD- 41662 -001	CREATED / REVISED BY: MKIPPER	CHECKED BY: SSOUSEK	APPROVED BY: FSMITH

A-41662-BNY228-*					
HEADER NUMBER:		41185-A-AN			
PIN NUMBER:		43294-0498			
PLATING		228			
PIN LENGTH: L		26.16 / 1.030			
MATING LENGTH: X		14.61 / .575			
GOLD POINT: G		6.86 / .270			
PIN HEIGHT: Y		4.95 / .195			
PC TAIL LENGTH: Z		4.63 / .182			
TIN: T		5.08 / .200			
CKTS:		2-24			
VOIDED CKTS:		NONE			
PACKAGING:		BULK PK-41662-001			
MATERIAL NUMBER	ENG NUMBER	VOIDS	MATERIAL NUMBER	ENG NUMBER	VOIDS
41662-0024	-B02Y228		41662-0041	-B19Y228	
41662-0025	-B03Y228		41662-0042	-B20Y228	
41662-0026	-B04Y228		41662-0043	-B21Y228	
41662-0027	-B05Y228		41662-0044	-B22Y228	
41662-0028	-B06Y228		41662-0045	-B23Y228	
41662-0029	-B07Y228		41662-0046	-B24Y228	
41662-0030	-B08Y228				
41662-0031	-B09Y228				
41662-0032	-B10Y228				
41662-0033	-B11Y228				
41662-0034	-B12Y228				
41662-0035	-B13Y228				
41662-0036	-B14Y228				
41662-0037	-B15Y228				
41662-0038	-B16Y228				
41662-0039	-B17Y228				
41662-0040	-B18Y228				

A-41662-ANA154-*					
HEADER NUMBER:		41185-A-AN			
PIN NUMBER:		2161-19(154)			
PLATING		154			
PIN LENGTH: L		26.21 / 1.032			
MATING LENGTH: X		14.61 / .575			
GOLD POINT: G		N/A			
PIN HEIGHT: Y		4.95 / .195			
PC TAIL LENGTH: Z		4.67 / .184			
TIN: T		OVERALL			
CKTS:		2-24			
VOIDED CKTS:		NONE			
PACKAGING:		BULK PK-41662-001			
MATERIAL NUMBER	ENG NUMBER	VOIDS	MATERIAL NUMBER	ENG NUMBER	VOIDS
	-A02A154			-A19A154	
	-A03A154			-A20A154	
	-A04A154			-A21A154	
	-A05A154			-A22A154	
	-A06A154			-A23A154	
	-A07A154			-A24A154	
	-A08A154				
	-A09A154				
	-A10A154				
	-A11A154				
	-A12A154				
	-A13A154				
41662-1142	-A14A154				
	-A15A154				
	-A16A154				
	-A17A154				
	-A18A154				

REV: AH7	ECR/ECN INFORMATION: EC No.: UCP2010-0149 DATE: 8/11/2009	TITLE: KK .156 HEADER ASSEMBLY FLAT BREAKAWAY, 2-24 CKTS.	SHEET No. - 3 -
DOCUMENT NUMBER: SD- 41662 -001	CREATED / REVISED BY: MKIPPER	CHECKED BY: SSOUSEK	APPROVED BY: FSMITH

A-41662-ANB102-*					
HEADER NUMBER:		41185-A-AN			
PIN NUMBER:		2161-23(102)			
PLATING		102			
PIN LENGTH: L		31.24 / 1.230			
MATING LENGTH: X		19.69 / .775			
GOLD POINT: G		N/A			
PIN HEIGHT: Y		4.95 / .195			
PC TAIL LENGTH: Z		4.62 / .182			
TIN: T		OVERALL			
CKTS:		2-24			
VOIDED CKTS:		NONE			
PACKAGING:		BULK PK-41662-001			
MATERIAL NUMBER	ENG NUMBER	VOIDS	MATERIAL NUMBER	ENG NUMBER	VOIDS
26-48-6022	-A02B102		26-48-6192	-A19B102	
26-48-6032	-A03B102		26-48-6202	-A20B102	
26-48-6042	-A04B102		26-48-6212	-A21B102	
26-48-6052	-A05B102		26-48-6222	-A22B102	
26-48-6062	-A06B102		26-48-6232	-A23B102	
26-48-6072	-A07B102		26-48-6242	-A24B102	
26-48-6082	-A08B102				
26-48-6092	-A09B102				
26-48-6102	-A10B102				
26-48-6112	-A11B102				
26-48-6122	-A12B102				
26-48-6132	-A13B102				
26-48-6142	-A14B102				
26-48-6152	-A15B102				
26-48-6162	-A16B102				
26-48-6172	-A17B102				
26-48-6182	-A18B102				

A-41662-BNB208-*					
HEADER NUMBER:		41185-A-AN			
PIN NUMBER:		43294-0686			
PLATING		208			
PIN LENGTH: L		31.24 / 1.230			
MATING LENGTH: X		19.69 / .775			
GOLD POINT: G		11.30 / .445			
PIN HEIGHT: Y		4.95 / .195			
PC TAIL LENGTH: Z		4.62 / .182			
TIN: T		5.08 / .200			
CKTS:		2-24			
VOIDED CKTS:		NONE			
PACKAGING:		BULK PK-41662-001			
MATERIAL NUMBER	ENG NUMBER	VOIDS	MATERIAL NUMBER	ENG NUMBER	VOIDS
41662-0047	-B02B208		41662-0064	-B19B208	
41662-0048	-B03B208		41662-0065	-B20B208	
41662-0049	-B04B208		41662-0066	-B21B208	
41662-0050	-B05B208		41662-0067	-B22B208	
41662-0051	-B06B208		41662-0068	-B23B208	
41662-0052	-B07B208		41662-0069	-B24B208	
41662-0053	-B08B208				
41662-0054	-B09B208				
41662-0055	-B10B208				
41662-0056	-B11B208				
41662-0057	-B12B208				
41662-0058	-B13B208				
41662-0059	-B14B208				
41662-0060	-B15B208				
41662-0061	-B16B208				
41662-0062	-B17B208				
41662-0063	-B18B208				

REV: AH7	ECR/ECN INFORMATION: EC No.: UCP2010-0149 DATE: 8/11/2009	TITLE: KK .156 HEADER ASSEMBLY FLAT BREAKAWAY, 2-24 CKTS.	SHEET No. - 4 -
DOCUMENT NUMBER: SD- 41662 -001	CREATED / REVISED BY: MKIPPER	CHECKED BY: SSOUSEK	APPROVED BY: FSMITH

A-41662-BNB228-*					
HEADER NUMBER:		41185-A-AN			
PIN NUMBER:		43294-0687			
PLATING		228			
PIN LENGTH: L		31.24 / 1.230			
MATING LENGTH: X		19.69 / .775			
GOLD POINT: G		11.30 / .445			
PIN HEIGHT: Y		4.95 / .195			
PC TAIL LENGTH: Z		4.62 / .182			
TIN: T		5.08 / .200			
CKTS:		2-24			
VOIDED CKTS:		NONE			
PACKAGING:		BULK PK-41662-001			
MATERIAL NUMBER	ENG NUMBER	VOIDS	MATERIAL NUMBER	ENG NUMBER	VOIDS
41662-0070	-B02B228		41662-0087	-B19B228	
41662-0071	-B03B228		41662-0088	-B20B228	
41662-0072	-B04B228		41662-0089	-B21B228	
41662-0073	-B05B228		41662-0090	-B22B228	
41662-0074	-B06B228		41662-0091	-B23B228	
41662-0075	-B07B228		41662-0092	-B24B228	
41662-0076	-B08B228				
41662-0077	-B09B228				
41662-0078	-B10B228				
41662-0079	-B11B228				
41662-0080	-B12B228				
41662-0081	-B13B228				
41662-0082	-B14B228				
41662-0083	-B15B228				
41662-0084	-B16B228				
41662-0085	-B17B228				
41662-0086	-B18B228				

A-41662-ANA501-*					
HEADER NUMBER:		41185-A-AN			
PIN NUMBER:		2161-19(501)			
PLATING		501			
PIN LENGTH: L		26.21 / 1.032			
MATING LENGTH: X		14.61 / .575			
GOLD POINT: G		OVERALL			
PIN HEIGHT: Y		4.95 / .195			
PC TAIL LENGTH: Z		4.67 / .184			
TIN: T		N/A			
CKTS:		2-24			
VOIDED CKTS:		NONE			
PACKAGING:		BULK PK-41662-001			
MATERIAL NUMBER	ENG NUMBER	VOIDS	MATERIAL NUMBER	ENG NUMBER	VOIDS
26-48-2022	-A02A501		26-48-2192	-A19A501	
26-48-2032	-A03A501		26-48-2202	-A20A501	
26-48-2042	-A04A501		26-48-2212	-A21A501	
26-48-2052	-A05A501		26-48-2222	-A22A501	
26-48-2062	-A06A501		26-48-2232	-A23A501	
26-48-2072	-A07A501		26-48-2242	-A24A501	
26-48-2082	-A08A501				
26-48-2092	-A09A501				
26-48-2102	-A10A501				
26-48-2112	-A11A501				
26-48-2122	-A12A501				
26-48-2132	-A13A501				
26-48-2142	-A14A501				
26-48-2152	-A15A501				
26-48-2162	-A16A501				
26-48-2172	-A17A501				
26-48-2182	-A18A501				

REV: AH7	ECR/ECN INFORMATION: EC No.: UCP2010-0149 DATE: 8/11/2009	TITLE: KK .156 HEADER ASSEMBLY FLAT BREAKAWAY, 2-24 CKTS.	SHEET No. - 5 -
DOCUMENT NUMBER: SD- 41662 -001	CREATED / REVISED BY: MKIPPER	CHECKED BY: SSOUSEK	APPROVED BY: FSMITH

A-41662-ANB501-*					
HEADER NUMBER:		41185-A-AN			
PIN NUMBER:		2161-23(501)			
PLATING		501			
PIN LENGTH: L		31.24 / 1.230			
MATING LENGTH: X		19.69 / .775			
GOLD POINT: G		OVERALL			
PIN HEIGHT: Y		4.95 / .195			
PC TAIL LENGTH: Z		4.62 / .182			
TIN: T		N/A			
CKTS:		2-24			
VOIDED CKTS:		NONE			
PACKAGING:		BULK PK-41662-001			
MATERIAL NUMBER	ENG NUMBER	VOIDS	MATERIAL NUMBER	ENG NUMBER	VOIDS
26-48-5022	-A02B501		26-48-5192	-A19B501	
26-48-5032	-A03B501		26-48-5202	-A20B501	
26-48-5042	-A04B501		26-48-5212	-A21B501	
26-48-5052	-A05B501		26-48-5222	-A22B501	
26-48-5062	-A06B501		26-48-5232	-A23B501	
26-48-5072	-A07B501		26-48-5242	-A24B501	
26-48-5082	-A08B501				
26-48-5092	-A09B501				
26-48-5102	-A10B501				
26-48-5112	-A11B501				
26-48-5122	-A12B501				
26-48-5132	-A13B501				
26-48-5142	-A14B501				
26-48-5152	-A15B501				
26-48-5162	-A16B501				
26-48-5172	-A17B501				
26-48-5182	-A18B501				

A-41662-ANC102-*					
HEADER NUMBER:		41185-A-AN			
PIN NUMBER:		2161-37(102)			
PLATING		102			
PIN LENGTH: L		27.94 / 1.100			
MATING LENGTH: X		14.61 / .575			
GOLD POINT: G		N/A			
PIN HEIGHT: Y		6.63 / .261			
PC TAIL LENGTH: Z		4.72 / .186			
TIN: T		OVERALL			
CKTS:		2-24			
VOIDED CKTS:		NONE			
PACKAGING:		BULK PK-41662-001			
MATERIAL NUMBER	ENG NUMBER	VOIDS	MATERIAL NUMBER	ENG NUMBER	VOIDS
41662-0093	-A02C102		41662-0109	-A19C102	
41662-0094	-A03C102		41662-0110	-A20C102	
41662-0095	-A04C102		41662-0111	-A21C102	
41662-0096	-A05C102		41662-0112	-A22C102	
41662-0097	-A06C102		41662-0113	-A23C102	
41662-0098	-A07C102		41662-0114	-A24C102	
41662-0099	-A08C102				
41662-0100	-A09C102				
26-48-7102	-A10C102				
41662-0101	-A11C102				
41662-0102	-A12C102				
41662-0103	-A13C102				
41662-0104	-A14C102				
41662-0105	-A15C102				
41662-0106	-A16C102				
41662-0107	-A17C102				
41662-0108	-A18C102				

REV: AH7	ECR/ECN INFORMATION: EC No.: UCP2010-0149 DATE: 8/11/2009	TITLE: KK .156 HEADER ASSEMBLY FLAT BREAKAWAY, 2-24 CKTS.	SHEET No. - 6 -
DOCUMENT NUMBER: SD- 41662 -001	CREATED / REVISED BY: MKIPPER	CHECKED BY: SSOUSEK	APPROVED BY: FSMITH

A-41662-AND102-*					
HEADER NUMBER:		41185-A-AN			
PIN NUMBER:		2161-62(102)			
PLATING		102			
PIN LENGTH: L		24.89 / .980			
MATING LENGTH: X		14.86 / .585			
GOLD POINT: G		N/A			
PIN HEIGHT: Y		4.95 / .195			
PC TAIL LENGTH: Z		3.10 / .122			
TIN: T		OVERALL			
CKTS:		2-24			
VOIDED CKTS:		NONE			
PACKAGING:		BULK PK-41662-001			
MATERIAL NUMBER	ENG NUMBER	VOIDS	MATERIAL NUMBER	ENG NUMBER	VOIDS
41662-0115	-A02D102		41662-0131	-A19D102	
41662-0116	-A03D102		41662-0132	-A20D102	
41662-0117	-A04D102		41662-0133	-A21D102	
41662-0118	-A05D102		41662-0134	-A22D102	
26-48-9065	-A06D102		41662-0135	-A23D102	
41662-0119	-A07D102		26-48-9245	-A24D102	
41662-0120	-A08D102				
41662-0121	-A09D102				
41662-0122	-A10D102				
41662-0123	-A11D102				
41662-0124	-A12D102				
41662-0125	-A13D102				
41662-0126	-A14D102				
41662-0127	-A15D102				
41662-0128	-A16D102				
41662-0129	-A17D102				
41662-0130	-A18D102				

A-41662-ANK102-*					
HEADER NUMBER:		41185-A-AN			
PIN NUMBER:		2161-1(102)			
PLATING		102			
PIN LENGTH: L		19.05 / .750			
MATING LENGTH: X		7.75 / .305			
GOLD POINT: G		N/A			
PIN HEIGHT: Y		4.95 / .195			
PC TAIL LENGTH: Z		4.37 / .172			
TIN: T		OVERALL			
CKTS:		2-24			
VOIDED CKTS:		NONE			
PACKAGING:		BULK PK-41662-001			
MATERIAL NUMBER	ENG NUMBER	VOIDS	MATERIAL NUMBER	ENG NUMBER	VOIDS
41662-0136	-A02K102		41662-0153	-A19K102	
41662-0137	-A03K102		26-48-4200	-A20K102	
41662-0138	-A04K102		41662-0154	-A21K102	
41662-0139	-A05K102		41662-0155	-A22K102	
41662-0140	-A06K102		41662-0156	-A23K102	
41662-0141	-A07K102		41662-0157	-A24K102	
41662-0142	-A08K102				
41662-0143	-A09K102				
41662-0144	-A10K102				
41662-0145	-A11K102				
41662-0146	-A12K102				
41662-0147	-A13K102				
41662-0148	-A14K102				
41662-0149	-A15K102				
41662-0150	-A16K102				
41662-0151	-A17K102				
41662-0152	-A18K102				

REV: AH7	ECR/ECN INFORMATION: EC No.: UCP2010-0149 DATE: 8/11/2009	TITLE: KK .156 HEADER ASSEMBLY FLAT BREAKAWAY, 2-24 CKTS.	SHEET No. - 7 -
DOCUMENT NUMBER: SD- 41662 -001	CREATED / REVISED BY: MKIPPER	CHECKED BY: SSOUSEK	APPROVED BY: FSMITH

A-41662-ANN102-*					
HEADER NUMBER:		41185-A-AN			
PIN NUMBER:		2161-5(102)			
PLATING		102			
PIN LENGTH: L		34.93 / 1.375			
MATING LENGTH: X		13.59 / .535			
GOLD POINT: G		N/A			
PIN HEIGHT: Y		5.21 / .205			
PC TAIL LENGTH: Z		14.15 / .557			
TIN: T		OVERALL			
CKTS:		2-24			
VOIDED CKTS:		NONE			
PACKAGING:		BULK PK-41662-001			
MATERIAL NUMBER	ENG NUMBER	VOIDS	MATERIAL NUMBER	ENG NUMBER	VOIDS
41662-0158	-A02N102		41662-0175	-A19N102	
41662-0159	-A03N102		41662-0176	-A20N102	
41662-0160	-A04N102		41662-0177	-A21N102	
41662-0161	-A05N102		41662-0178	-A22N102	
41662-0162	-A06N102		41662-0179	-A23N102	
41662-0163	-A07N102		26-58-1241	-A24N102	
41662-0164	-A08N102				
41662-0165	-A09N102				
41662-0166	-A10N102				
41662-0167	-A11N102				
41662-0168	-A12N102				
41662-0169	-A13N102				
41662-0170	-A14N102				
41662-0171	-A15N102				
41662-0172	-A16N102				
41662-0173	-A17N102				
41662-0174	-A18N102				

A-41662-ANH501-*					
HEADER NUMBER:		41185-A-AN			
PIN NUMBER:		2161-61(501)			
PLATING		501			
PIN LENGTH: L		35.71 / 1.406			
MATING LENGTH: X		16.51 / .650			
GOLD POINT: G		OVERALL			
PIN HEIGHT: Y		5.41 / .213			
PC TAIL LENGTH: Z		11.84 / .466			
TIN: T		N/A			
CKTS:		2-24			
VOIDED CKTS:		NONE			
PACKAGING:		BULK PK-41662-001			
MATERIAL NUMBER	ENG NUMBER	VOIDS	MATERIAL NUMBER	ENG NUMBER	VOIDS
41662-0180	-A02H501		41662-0195	-A19H501	
41662-0181	-A03H501		41662-0196	-A20H501	
41662-0182	-A04H501		41662-0197	-A21H501	
41662-0183	-A05H501		41662-0198	-A22H501	
41662-0184	-A06H501		41662-0199	-A23H501	
41662-0185	-A07H501		41662-0200	-A24H501	
41662-0186	-A08H501				
41662-0187	-A09H501				
26-58-8100	-A10H501				
41662-0188	-A11H501				
26-58-8120	-A12H501				
41662-0189	-A13H501				
41662-0190	-A14H501				
41662-0191	-A15H501				
41662-0192	-A16H501				
41662-0193	-A17H501				
41662-0194	-A18H501				

REV: AH7	ECR/ECN INFORMATION: EC No.: UCP2010-0149 DATE: 8/11/2009	TITLE: KK .156 HEADER ASSEMBLY FLAT BREAKAWAY, 2-24 CKTS.	SHEET No. - 8 -
DOCUMENT NUMBER: SD- 41662 -001	CREATED / REVISED BY: MKIPPER	CHECKED BY: SSOUSEK	APPROVED BY: FSMITH

A-41662-ANZ102-*					
HEADER NUMBER:		41185-A-AN			
PIN NUMBER:		2161-24(102)			
PLATING		102			
PIN LENGTH: L		20.32 / .800			
MATING LENGTH: X		9.27 / .365			
GOLD POINT: G		N/A			
PIN HEIGHT: Y		4.95 / .195			
PC TAIL LENGTH: Z		4.12 / .162			
TIN: T		OVERALL			
CKTS:		2-24			
VOIDED CKTS:		NONE			
PACKAGING:		BULK PK-41662-001			
MATERIAL NUMBER	ENG NUMBER	VOIDS	MATERIAL NUMBER	ENG NUMBER	VOIDS
41662-0207	-A02Z102		41662-0224	-A19Z102	
41662-0208	-A03Z102		41662-0225	-A20Z102	
41662-0209	-A04Z102		41662-0226	-A21Z102	
41662-0210	-A05Z102		41662-0227	-A22Z102	
41662-0211	-A06Z102		41662-0228	-A23Z102	
41662-0212	-A07Z102		41662-0229	-A24Z102	
41662-0213	-A08Z102				
41662-0214	-A09Z102				
41662-0215	-A10Z102				
41662-0216	-A11Z102				
41662-0217	-A12Z102				
41662-0218	-A13Z102				
41662-0219	-A14Z102				
41662-0220	-A15Z102				
41662-0221	-A16Z102				
41662-0222	-A17Z102				
41662-0223	-A18Z102				

A-41662-ANAA102-*					
HEADER NUMBER:		41185-A-AN			
PIN NUMBER:		2161-62(102)			
PLATING		102			
PIN LENGTH: L		24.89 / .980			
MATING LENGTH: X		6.98 / .275			
GOLD POINT: G		N/A			
PIN HEIGHT: Y		4.95 / .195			
PC TAIL LENGTH: Z		10.98 / .432			
TIN: T		OVERALL			
CKTS:		2-24			
VOIDED CKTS:		NONE			
PACKAGING:		BULK PK-41662-001			
MATERIAL NUMBER	ENG NUMBER	VOIDS	MATERIAL NUMBER	ENG NUMBER	VOIDS
41662-0500	-A02AA102		41662-0517	-A19AA102	
41662-0501	-A03AA102		41662-0518	-A20AA102	
41662-0502	-A04AA102		41662-0519	-A21AA102	
41662-0503	-A05AA102		41662-0520	-A22AA102	
41662-0504	-A06AA102		41662-0521	-A23AA102	
41662-0505	-A07AA102		41662-0522	-A24AA102	
41662-0506	-A08AA102				
41662-0507	-A09AA102				
41662-0508	-A10AA102				
41662-0509	-A11AA102				
41662-0510	-A12AA102				
41662-0511	-A13AA102				
41662-0512	-A14AA102				
41662-0513	-A15AA102				
41662-0514	-A16AA102				
41662-0515	-A17AA102				
41662-0516	-A18AA102				

REV: AH7	ECR/ECN INFORMATION: EC No.: UCP2010-0149 DATE: 8/11/2009	TITLE: KK .156 HEADER ASSEMBLY FLAT BREAKAWAY, 2-24 CKTS.	SHEET No. - 9 -
DOCUMENT NUMBER: SD- 41662 -001	CREATED / REVISED BY: MKIPPER	CHECKED BY: SSOUSEK	APPROVED BY: FSMITH

A-41662-ANAB102-*					
HEADER NUMBER:		41185-A-AN			
PIN NUMBER:		2161-52(102)			
PLATING		102			
PIN LENGTH: L		27.00 / 1.063			
MATING LENGTH: X		14.61 / .575			
GOLD POINT: G		N/A			
PIN HEIGHT: Y		5.54 / .218			
PC TAIL LENGTH: Z		4.88 / .192			
TIN: T		OVERALL			
CKTS:		2-24			
VOIDED CKTS:		SEE CHART			
PACKAGING:		BULK PK-41662-001			
MATERIAL NUMBER	ENG NUMBER	VOIDS	MATERIAL NUMBER	ENG NUMBER	VOIDS
41662-0523	-A02AB102		41662-0540	-A19AB102	
41662-0524	-A03AB102		41662-0541	-A20AB102	
41662-0525	-A04AB102		41662-0542	-A21AB102	
41662-0526	-A05AB102		41662-0543	-A22AB102	
41662-0527	-A06AB102		41662-0544	-A23AB102	
41662-0528	-A07AB102		41662-0545	-A24AB102	
41662-0529	-A08AB102		41662-0546	-A05AB102-51	2, 4
41662-0530	-A09AB102				
41662-0531	-A10AB102				
41662-0532	-A11AB102				
41662-0533	-A12AB102				
41662-0534	-A13AB102				
41662-0535	-A14AB102				
41662-0536	-A15AB102				
41662-0537	-A16AB102				
41662-0538	-A17AB102				
41662-0539	-A18AB102				

A-41662-ANAC102-*					
HEADER NUMBER:		41185-A-AN			
PIN NUMBER:		2161-70(102)			
PLATING		102			
PIN LENGTH: L		23.24 / .915			
MATING LENGTH: X		12.19 / .480			
GOLD POINT: G		N/A			
PIN HEIGHT: Y		5.54 / .218			
PC TAIL LENGTH: Z		3.51 / .138			
TIN: T		OVERALL			
CKTS:		2-24			
VOIDED CKTS:		SEE CHART			
PACKAGING:		BULK PK-41662-001			
MATERIAL NUMBER	ENG NUMBER	VOIDS	MATERIAL NUMBER	ENG NUMBER	VOIDS
41662-0600	-A02AC102		41662-0617	-A19AC102	
41662-0601	-A03AC102		41662-0618	-A20AC102	
41662-0602	-A04AC102		41662-0619	-A21AC102	
41662-0603	-A05AC102		41662-0620	-A22AC102	
41662-0604	-A06AC102		41662-0621	-A23AC102	
41662-0605	-A07AC102		41662-0622	-A24AC102	
41662-0606	-A08AC102		41662-0623	-A15AC102-2	2
41662-0607	-A09AC102				
41662-0608	-A10AC102				
41662-0609	-A11AC102				
41662-0610	-A12AC102				
41662-0611	-A13AC102				
41662-0612	-A14AC102				
41662-0613	-A15AC102				
41662-0614	-A16AC102				
41662-0615	-A17AC102				
41662-0616	-A18AC102				

REV: AH7	ECR/ECN INFORMATION: EC No.: UCP2010-0149 DATE: 8/11/2009	TITLE: KK .156 HEADER ASSEMBLY FLAT BREAKAWAY, 2-24 CKTS.	SHEET No. - 10 -
DOCUMENT NUMBER: SD- 41662 -001	CREATED / REVISED BY: MKIPPER	CHECKED BY: SSOUSEK	APPROVED BY: FSMITH

A-41662-ANAD102-*					
HEADER NUMBER:		41185-A-AN			
PIN NUMBER:		2161-63(102)			
PLATING		102			
PIN LENGTH: L		24.38 / .960			
MATING LENGTH: X		14.88 / .586			
GOLD POINT: G		N/A			
PIN HEIGHT: Y		4.45 / .175			
PC TAIL LENGTH: Z		3.05 / .120			
TIN: T		OVERALL			
CKTS:		2-24			
VOIDED CKTS:		SEE CHART			
PACKAGING:		BULK PK-41662-001			
MATERIAL NUMBER	ENG NUMBER	VOIDS	MATERIAL NUMBER	ENG NUMBER	VOIDS
	-A02AD102			-A19AD102	
	-A03AD102		68342-1001	-A20AD102	
	-A04AD102			-A21AD102	
	-A05AD102			-A22AD102	
	-A06AD102			-A23AD102	
	-A07AD102			-A24AD102	
	-A08AD102				
	-A09AD102				
	-A10AD102				
	-A11AD102				
	-A12AD102				
	-A13AD102				
	-A14AD102				
	-A15AD102				
	-A16AD102				
	-A17AD102				
	-A18AD102				

A-41662-BNZ208-*					
HEADER NUMBER:		41185-A-AN			
PIN NUMBER:		43294-0353			
PLATING		208			
PIN LENGTH: L		22.35 / .880			
MATING LENGTH: X		10.67 / .420			
GOLD POINT: G		10.16 / .400			
PIN HEIGHT: Y		4.95 / .195			
PC TAIL LENGTH: Z		4.75 / .187			
TIN: T		5.08 / .200			
CKTS:		2-24			
VOIDED CKTS:		NONE			
PACKAGING:		BULK PK-41662-001			
MATERIAL NUMBER	ENG NUMBER	VOIDS	MATERIAL NUMBER	ENG NUMBER	VOIDS
41662-0646	-B02Z208		41662-0663	-B19Z208	
41662-0647	-B03Z208		41662-0664	-B20Z208	
41662-0648	-B04Z208		41662-0665	-B21Z208	
41662-0649	-B05Z208		41662-0666	-B22Z208	
41662-0650	-B06Z208		41662-0667	-B23Z208	
41662-0651	-B07Z208		41662-0668	-B24Z208	
41662-0652	-B08Z208				
41662-0653	-B09Z208				
41662-0654	-B10Z208				
41662-0655	-B11Z208				
41662-0656	-B12Z208				
41662-0657	-B13Z208				
41662-0658	-B14Z208				
41662-0659	-B15Z208				
41662-0660	-B16Z208				
41662-0661	-B17Z208				
41662-0662	-B18Z208				

REV: AH7	<u>ECR/ECN INFORMATION:</u> EC No.: UCP2010-0149 DATE: 8/11/2009	<u>TITLE:</u> KK .156 HEADER ASSEMBLY FLAT BREAKAWAY, 2-24 CKTS.	<u>SHEET No.</u> - 11 -
<u>DOCUMENT NUMBER:</u> SD- 41662 -001	<u>CREATED / REVISED BY:</u> MKIPPER	<u>CHECKED BY:</u> SSOUSEK	<u>APPROVED BY:</u> FSMITH

