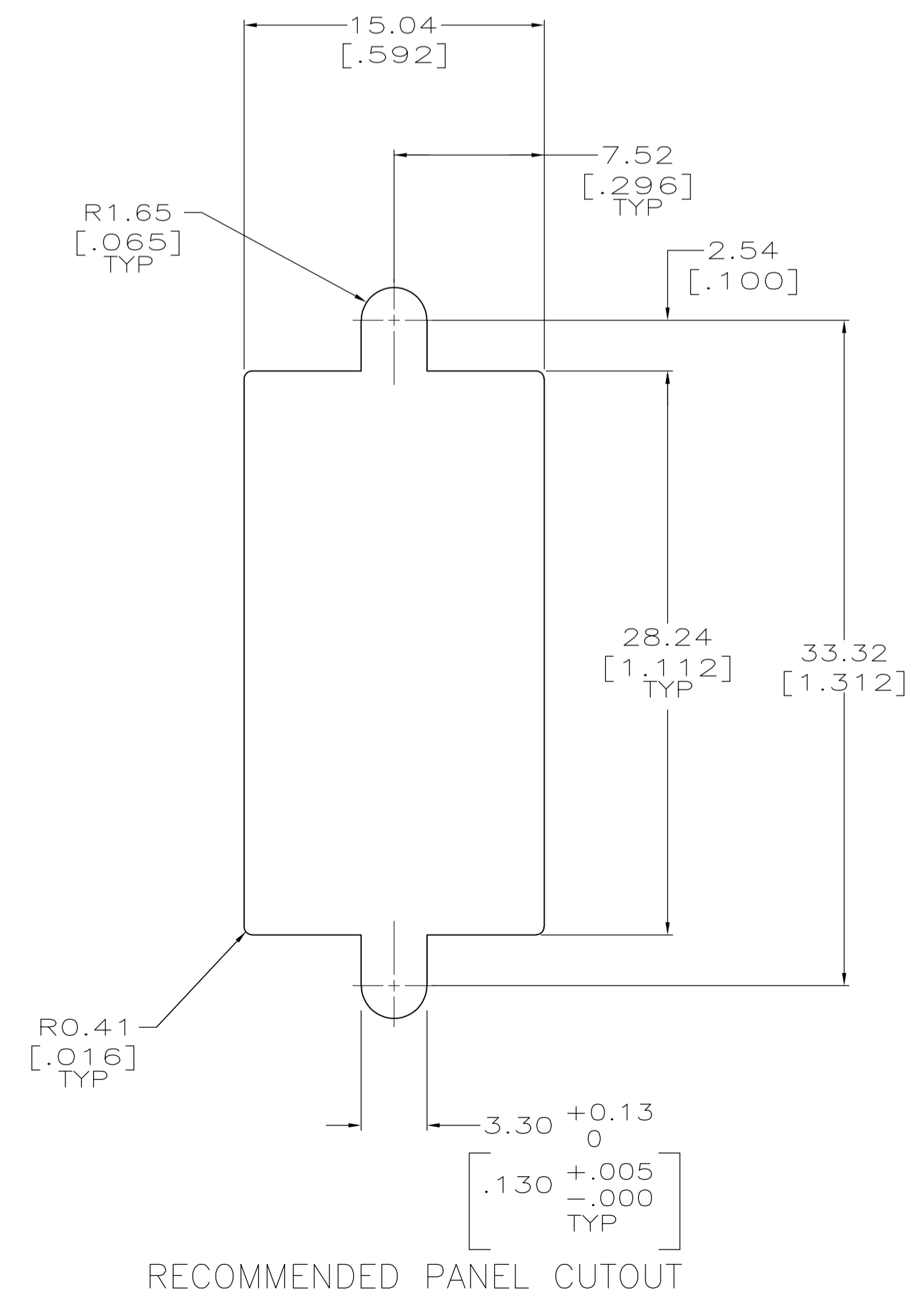
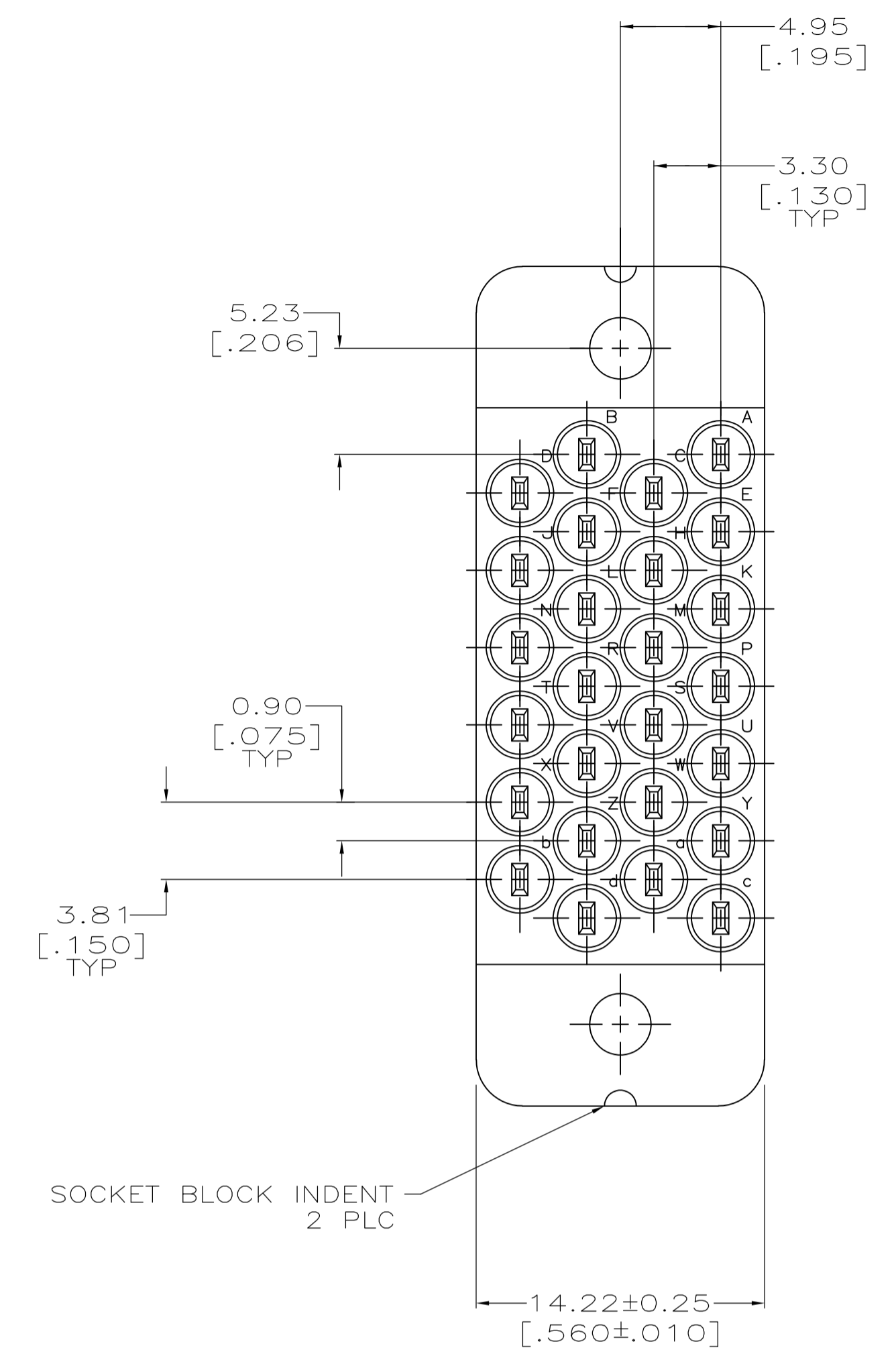
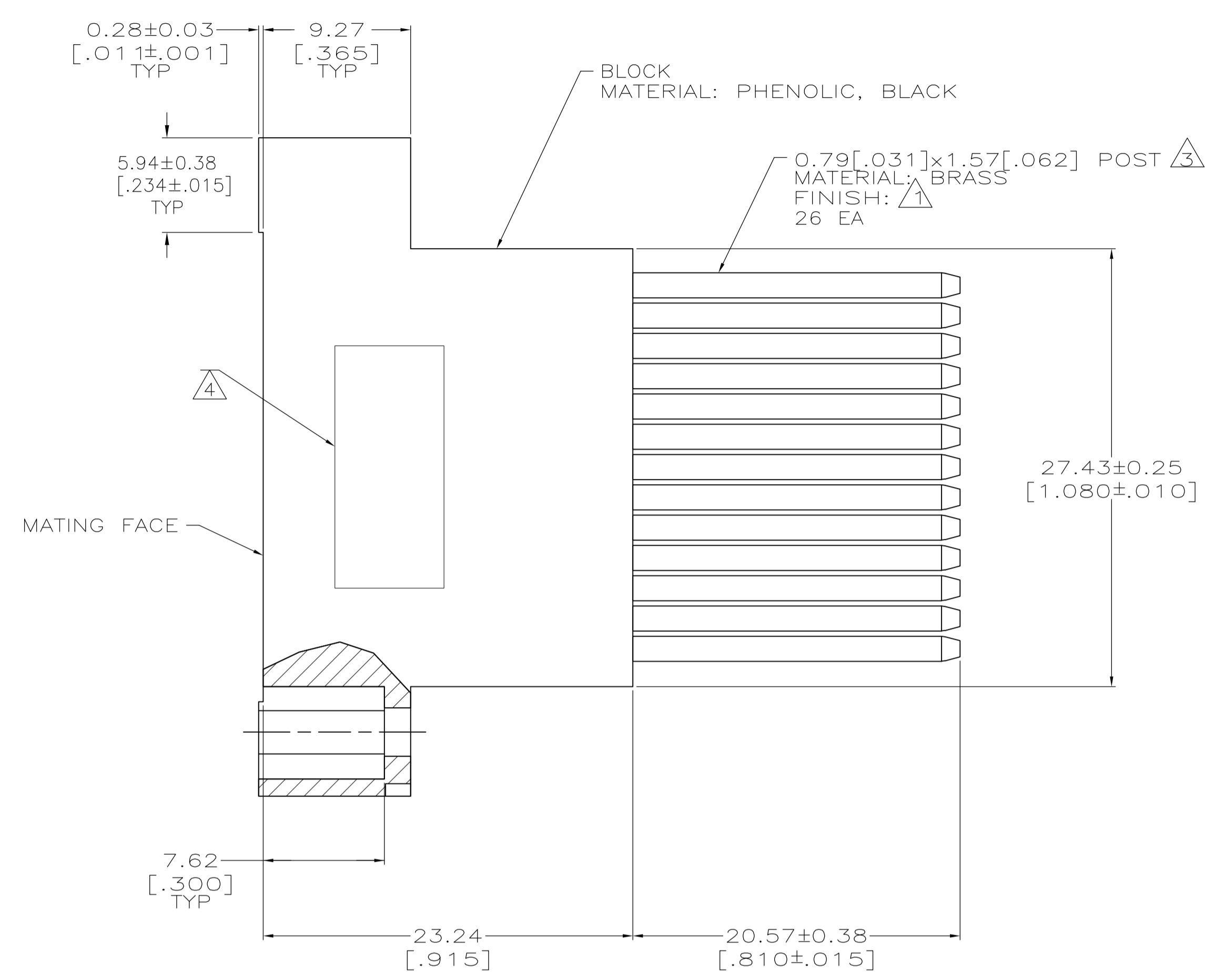
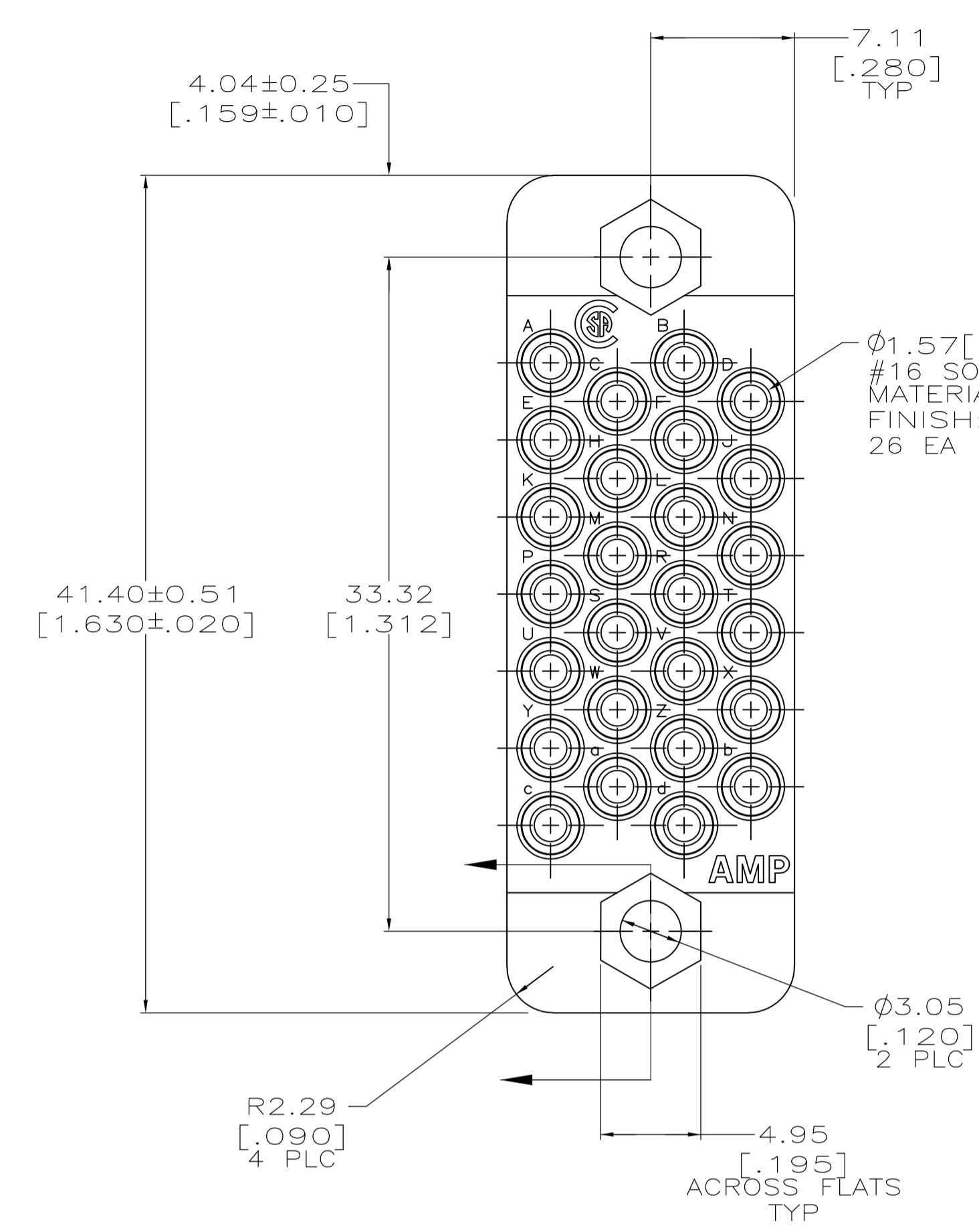


LOC		DIST		REVISIONS			
F	LTR	DESCRIPTION	DATE	DN	APVD		
W		REVISED PER ECO-07-010240	5/3/07	SS	GS		
W1		REVISED PER ECO-09-020935	09SEP09	KK	AEG		



- 1 2.54um[.000100] MIN TIN-LEAD OVER 1.27um[.000050] MIN NICKEL.
- 2 0.76um[.000030] MIN GOLD, INTERNALLY, FOR A DISTANCE OF 5.08[.200] MIN FROM MATING END, GOLD FLASH ON THE REMAINDER, ALL OVER 0.76um[.000030] MIN NICKEL.
- 3 POSTS ARE SEMI AUTOMATICALLY WIREABLE AND WILL ACCOMODATE 3 TERMINATIONS.
- 4 AMP, PART NUMBER, AND DATE CODE MARKED IN THIS AREA.
- 5 #24 AWG MAX WIRE TO BE USED WITH THIS CONNECTOR.
- 6 2.54um[.000100] MIN TIN OVER 1.27um[.000050] MIN NICKEL.
- 7 OBSOLETE PARTS: OBSOLETE CIS STREAMLINING PER D.RENAUD/D.SINISI

7 OBSOLETE	1	6-205511-2
	1	1-205511-3
POST PLATING		PART NUMBER

THIS DRAWING IS A CONTROLLED DOCUMENT.

DIMENSIONS: mm [INCHES]	TOLERANCES UNLESS OTHERWISE SPECIFIED:	0 PLC ± -	1 PLC ± -	2 PLC ± 0.13 [.005]	3 PLC ± -	4 PLC ± -	ANGLES ± -
MATERIAL SEE CALLOUTS	FINISH SEE CALLOUTS	WEIGHT	SIZE	CAGE CODE	DRAWING NO	RESTRICTED TO	
			A1	00779	6-205511		

CUSTOMER DRAWING SCALE 4:1 SHEET 1 OF 1 REV W1