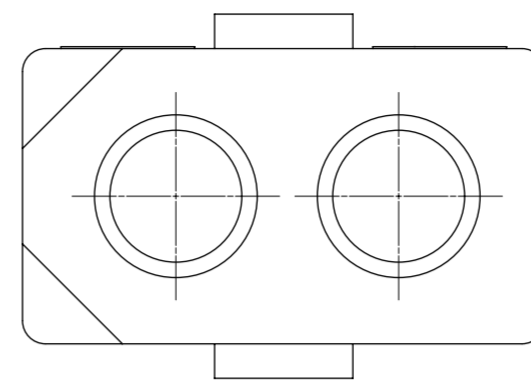
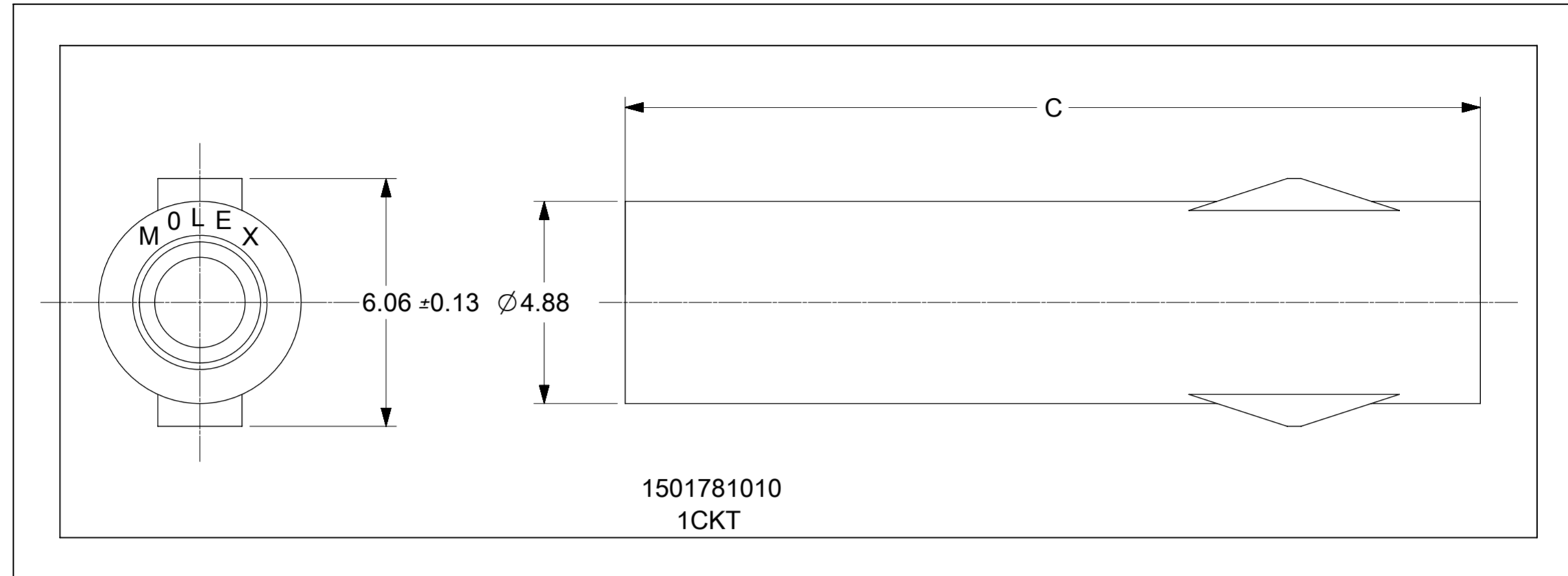
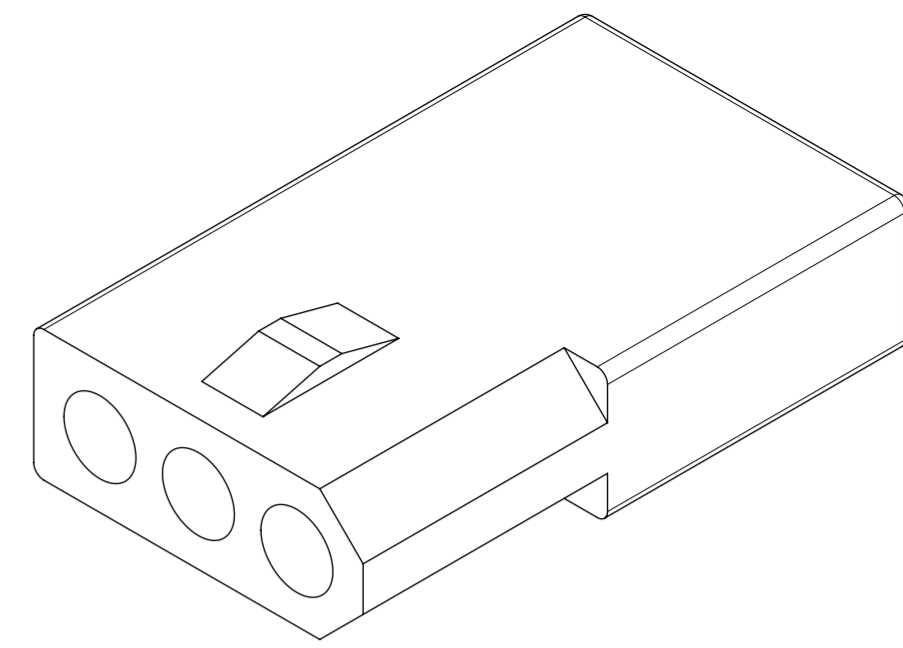


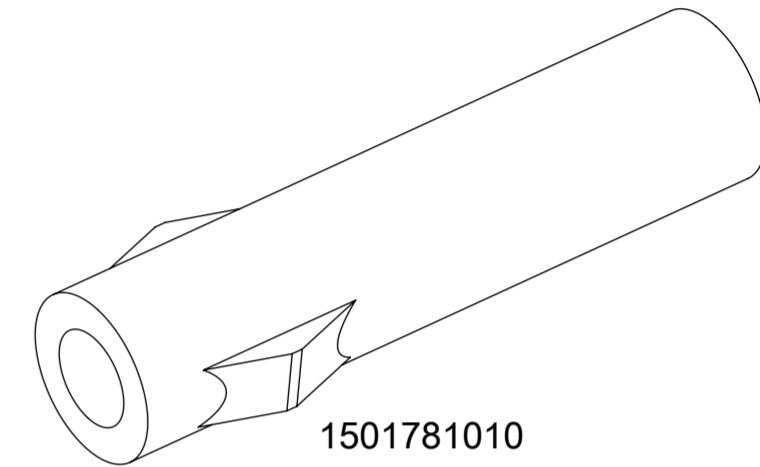
1501781030
3CKT



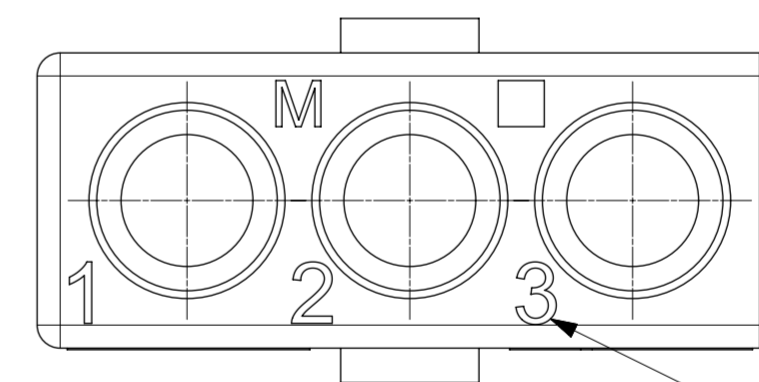
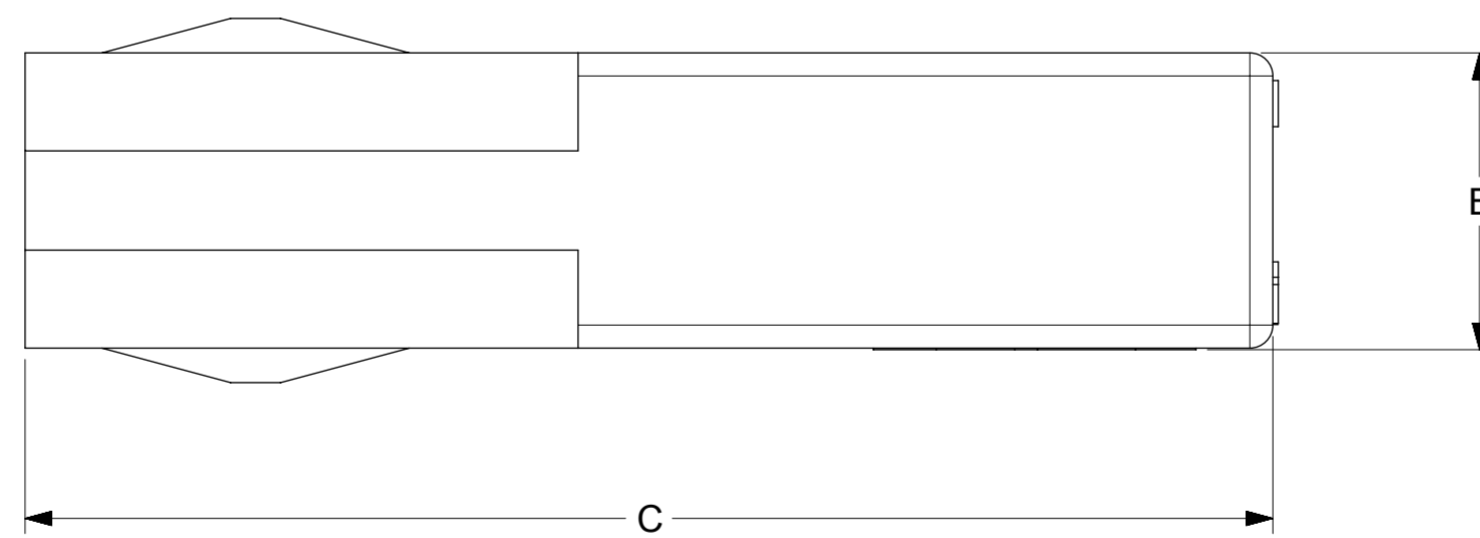
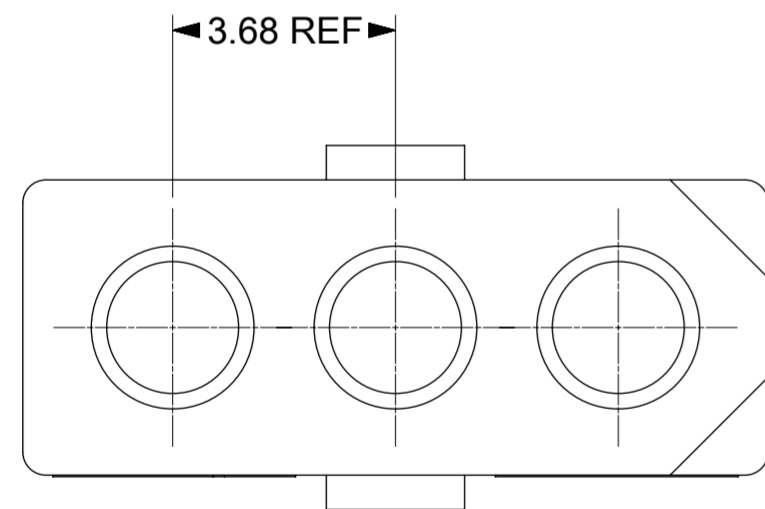
1501781020
2CKT



1501781010
1CKT



1501781010



CIRCUIT NUMBER

NOTES:

- 1) MATERIAL: NYLON TYPE 6/6,94V-2 COLOR: NATURAL
- 2) FINISH: NONE
- 3) PRODUCT SPECIFICATION: 1501760001-PS
- 4) PACKAGING SPECS: PK-150176-001
- 5) THIS PART CONFORMS TO CLASS B REQUIREMENTS OF COSMETIC SPEC PS-45499-002.
- 6) THIS PART CONFORMS TO MOISTURIZING SPECIFICATIONS OF NYLON PARTS REFER AS-45499-001
- 7) THIS PART ACCEPT TERMINAL SERIES 150181
- 8) THIS PART MATES WITH PLUG HOUSING SERIES 150176.

SL NO.	PART NUMBER	DESCRIPTION	DIM A	DIM B	DIM C
1	1501781010	1 CKT SINGLE ROW	---	---	19.84
2	1501781020	2 CKT SINGLE ROW	8.64	4.93	20.62
3	1501781030	3 CKT SINGLE ROW	12.3	5.05	19.8

THIS DRAWING CONTAINS INFORMATION THAT IS PROPRIETARY TO MOLEX ELECTRONIC TECHNOLOGIES, LLC AND SHOULD NOT BE USED WITHOUT WRITTEN PERMISSION

RE-MASTERED IN ECTR EC NO: 107456 DRWN: SNAGARAVENKA CHKD: REV APPR: KPRASAD	2016/10/26	GENERAL TOLERANCES (UNLESS SPECIFIED)	DIMENSION UNITS	SCALE	
	2016/10/03	ANGULAR TOL ± 0.5 °	MM	8:1	
		4 PLACES ±	DRWN BY	DATE	
		3 PLACES ±	GES	2014/11/05	
		2 PLACES ± 0.25	CHK'D BY	DATE	ECONOLATCH SINGLE ROW RECEPTACLE HOUSING PRODUCT CUSTOMER DRAWING
		1 PLACE ± 0.35	APPR BY	DATE	
		0 PLACES ±	KPRASAD	2015/01/08	
		DRAFT WHERE APPLICABLE MUST REMAIN WITHIN DIMENSIONS	DRAWING SIZE	THIRD ANGLE PROJECTION	SERIES: 150178 MATERIAL NUMBER: SEE TABLE CUSTOMER: GENERAL MARKET
			A2		DOCUMENT NUMBER: SD-150178-001 DOC TYPE: PSD DOC PART: 000 SHEET NUMBER: 1 OF 1