

4

3

2

1

THIS DRAWING IS UNPUBLISHED. RELEASED FOR PUBLICATION 2008
 © COPYRIGHT 2008 - ALL RIGHTS RESERVED.

LOC	DIST	REVISIONS			
P	LTR	DESCRIPTION	DATE	DWN	APVD
	BA1	REVISED PER ECO-11-005150	29MAR2011	RK	HMR

FOR FURTHER INFORMATION SEE DATA SHEET FOR
 SERIES RGP- METAL GLAZE FIXED RESISTORS

D

D

C

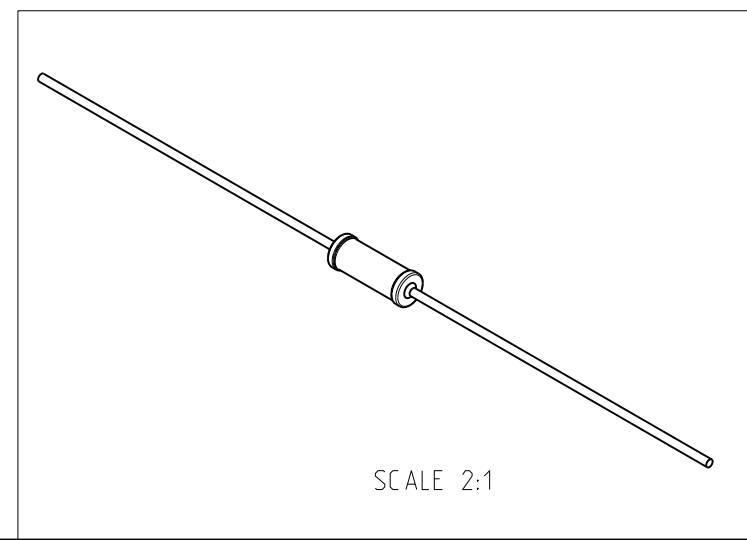
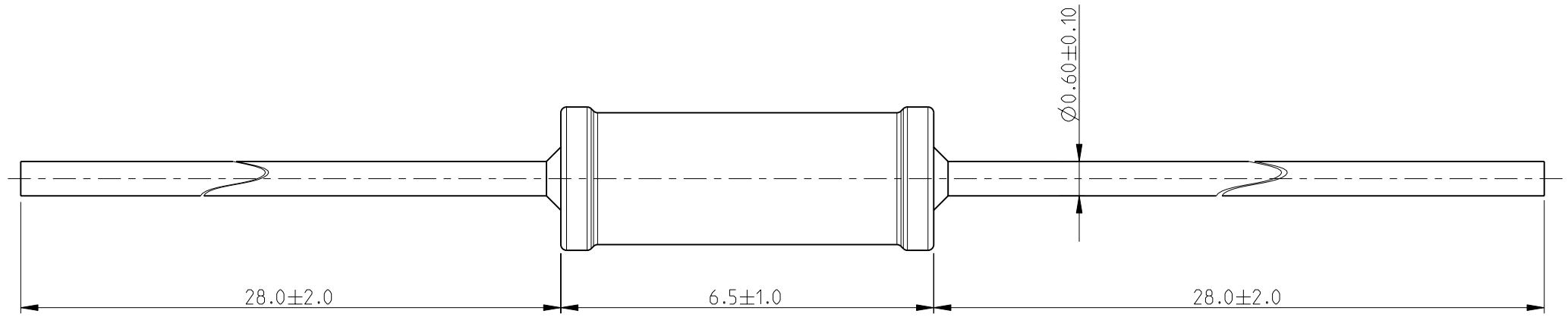
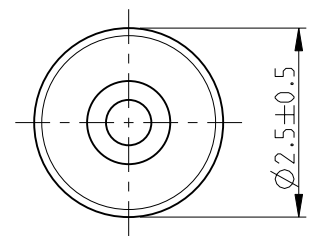
C


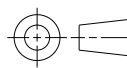
B

B

A

A



THIS DRAWING IS A CONTROLLED DOCUMENT.		DWN	SUBHASH.M 22-DEC-08		 TE Connectivity				
DIMENSIONS: mm		CHK	PRAKASH.S 22-DEC-08						
		APVD	STEPHEN.P 22-DEC-08						
TOLERANCES UNLESS OTHERWISE SPECIFIED: 0 PLC ± 0.2 1 PLC ± 0.1 2 PLC $\pm -$ 3 PLC $\pm -$ 4 PLC $\pm -$ ANGLES $\pm 5^\circ$		PRODUCT SPEC	-						
MATERIAL	-	FINISH	-		NAME	METAL GLAZE FIXED RESISTORS STYLE RGP0207CH			
		WEIGHT	-		SIZE	CAGE CODE	DRAWING NO	RESTRICTED TO	
		CUSTOMER DRAWING		SCALE	10:1	SHEET	1 OF 1	REV	BA1